



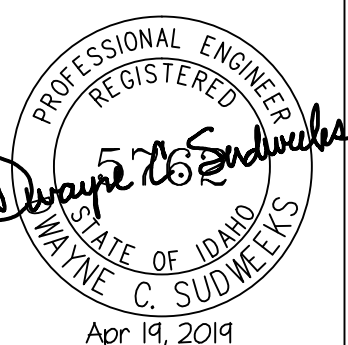
**Engineered Systems Associates**  
**Mechanical Engineers**

Dwayne Sudweeks  
 1355 East Center - Pocatello, Idaho 83201  
 Phone: (208) 233-0501 Fax: (208) 233-0529 email: esa@engsystems.com

**THE CANDY JAR**  
 BLACKFOOT, IDAHO

PROJECT: SHEET TITLE: **PLUMBING DETAILS & SCHEDULES**

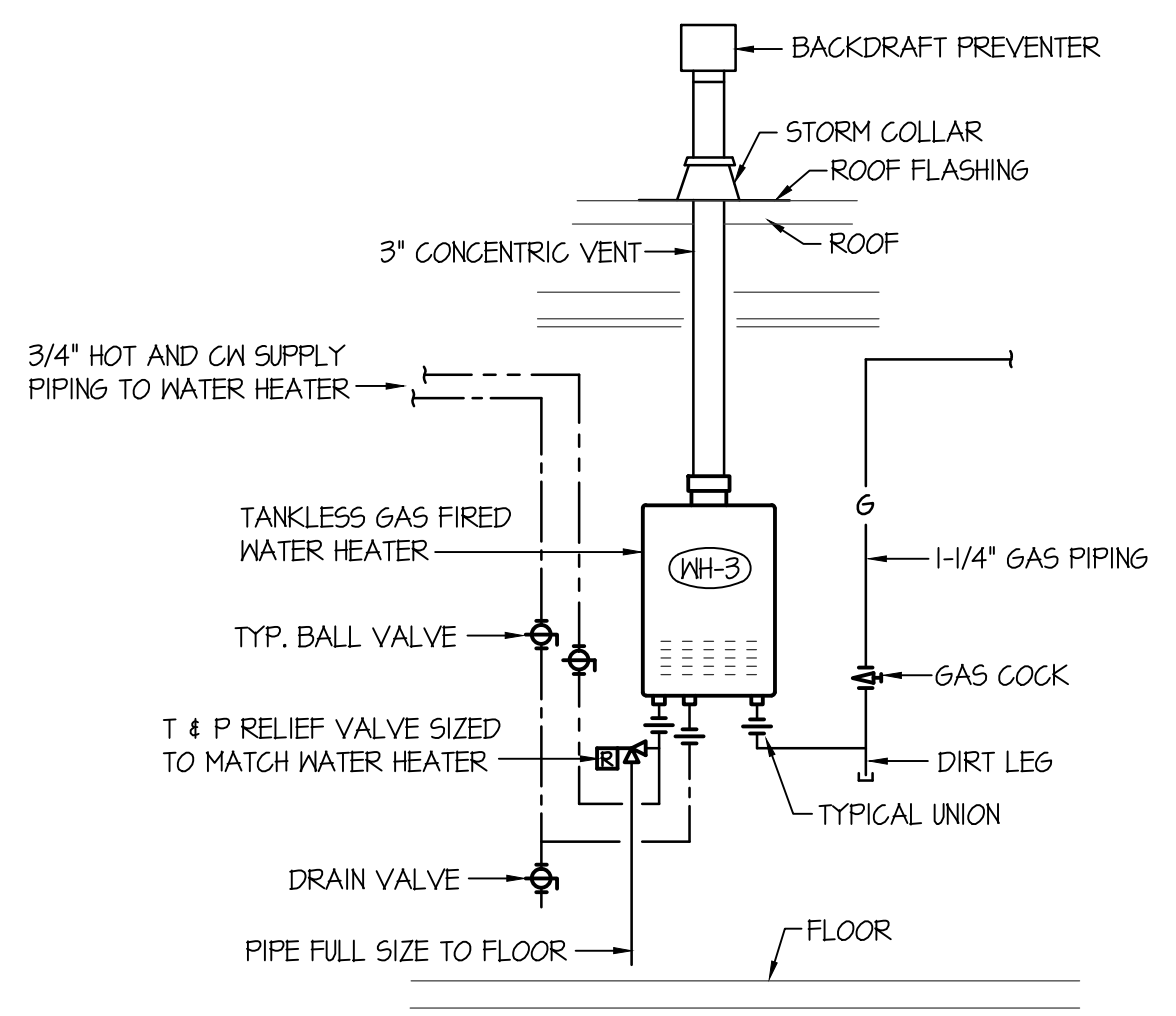
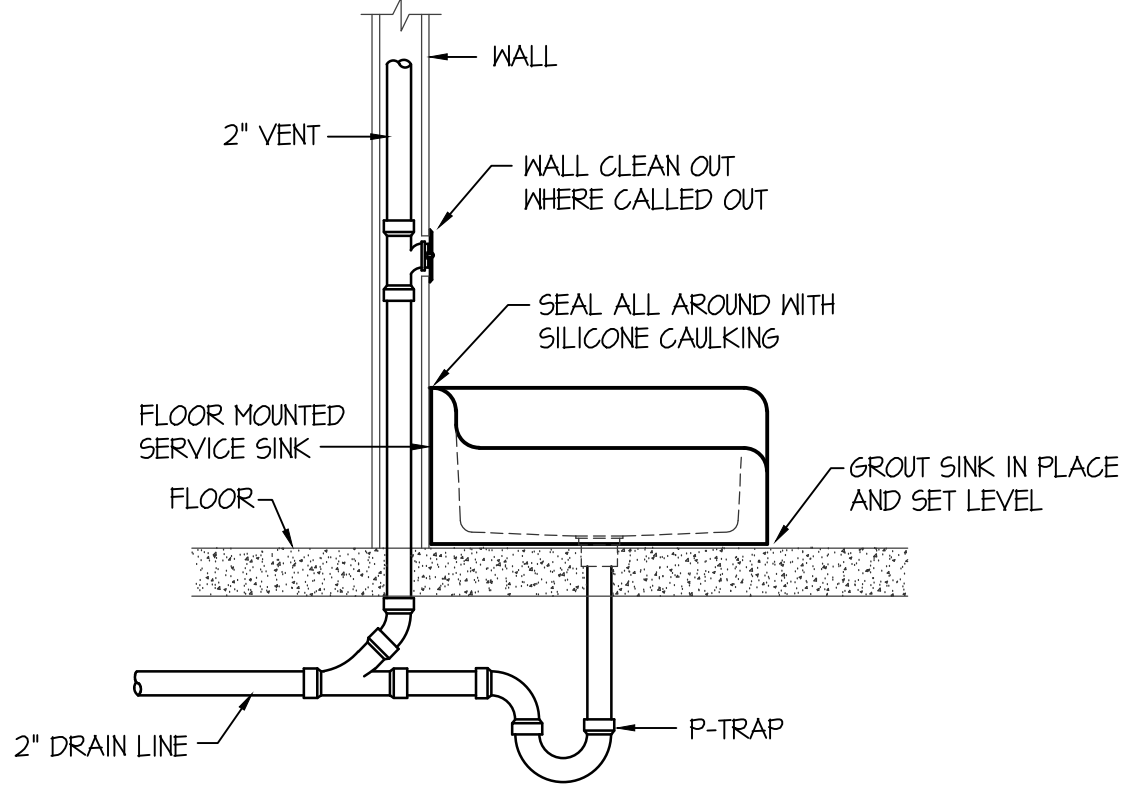
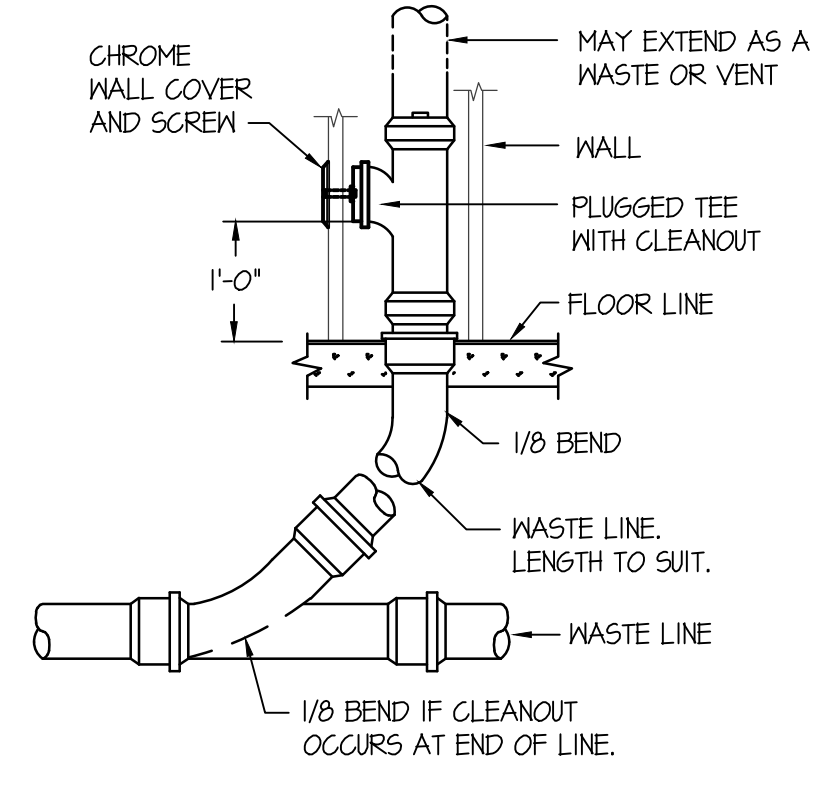
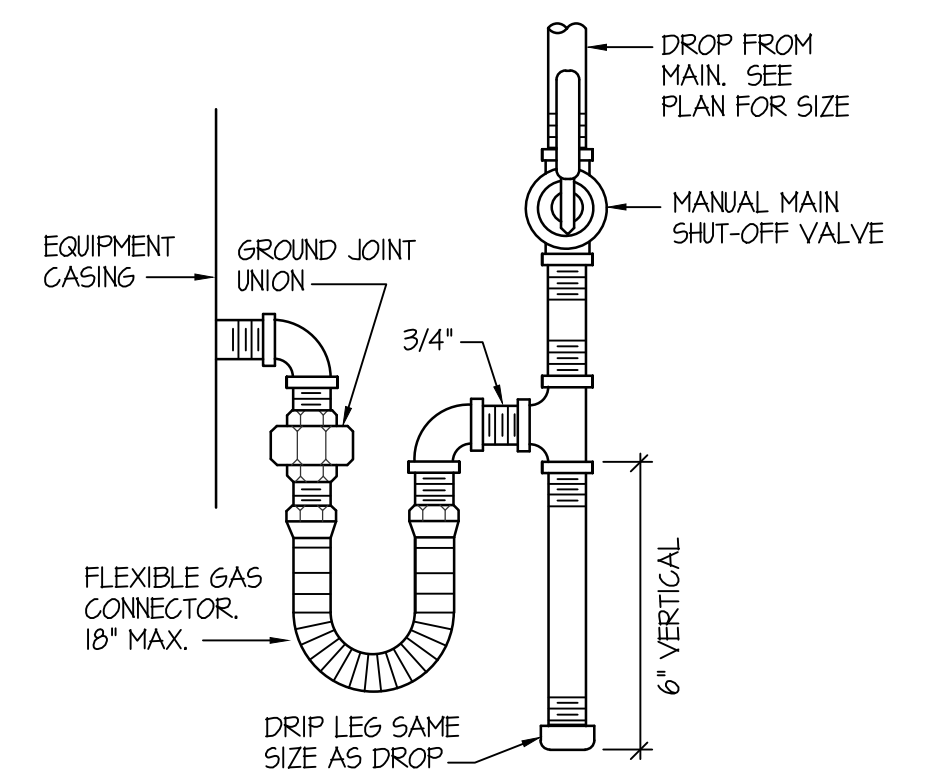
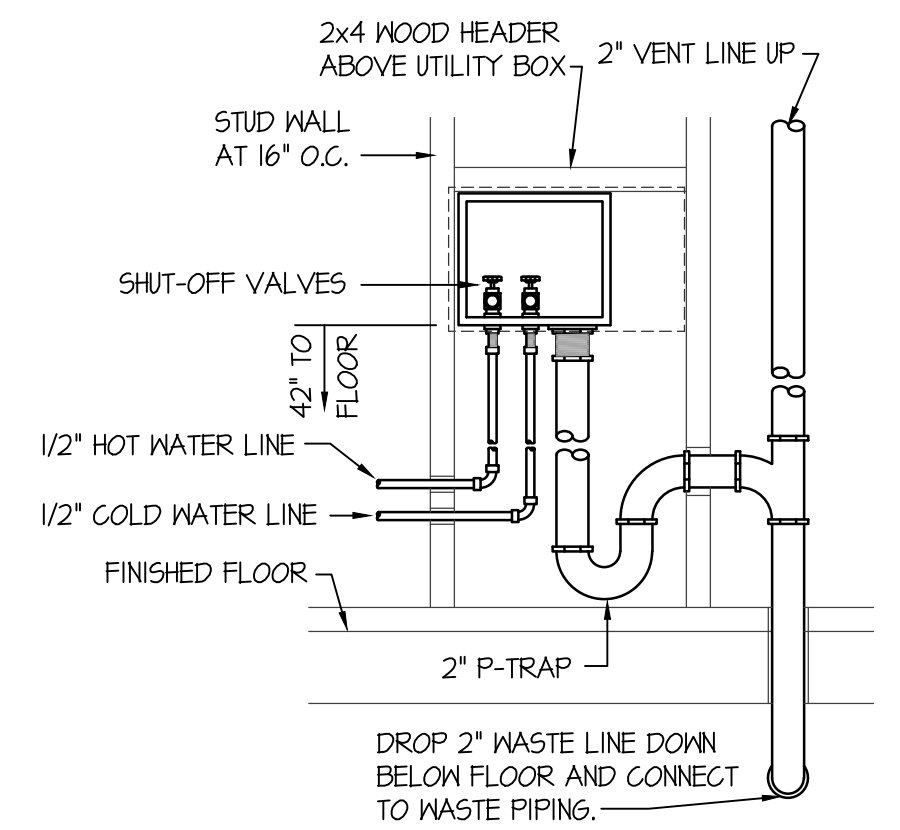
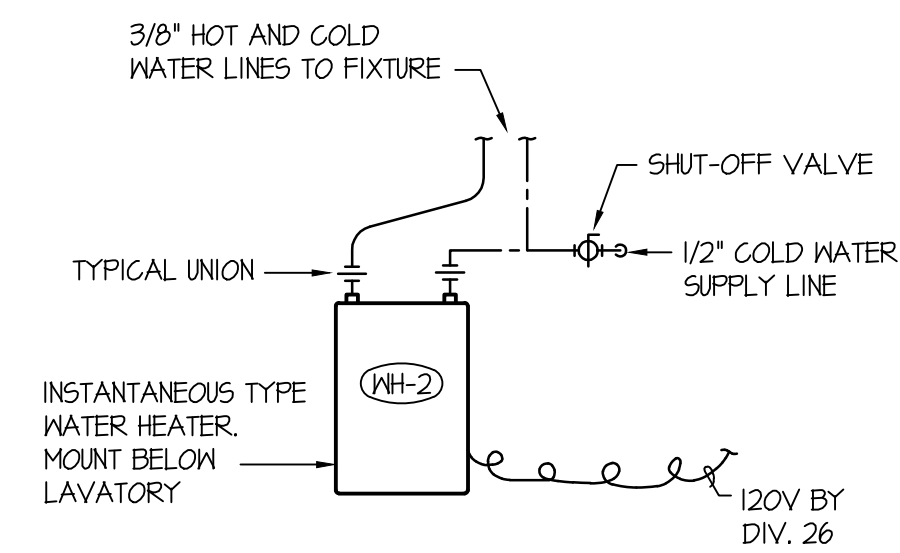
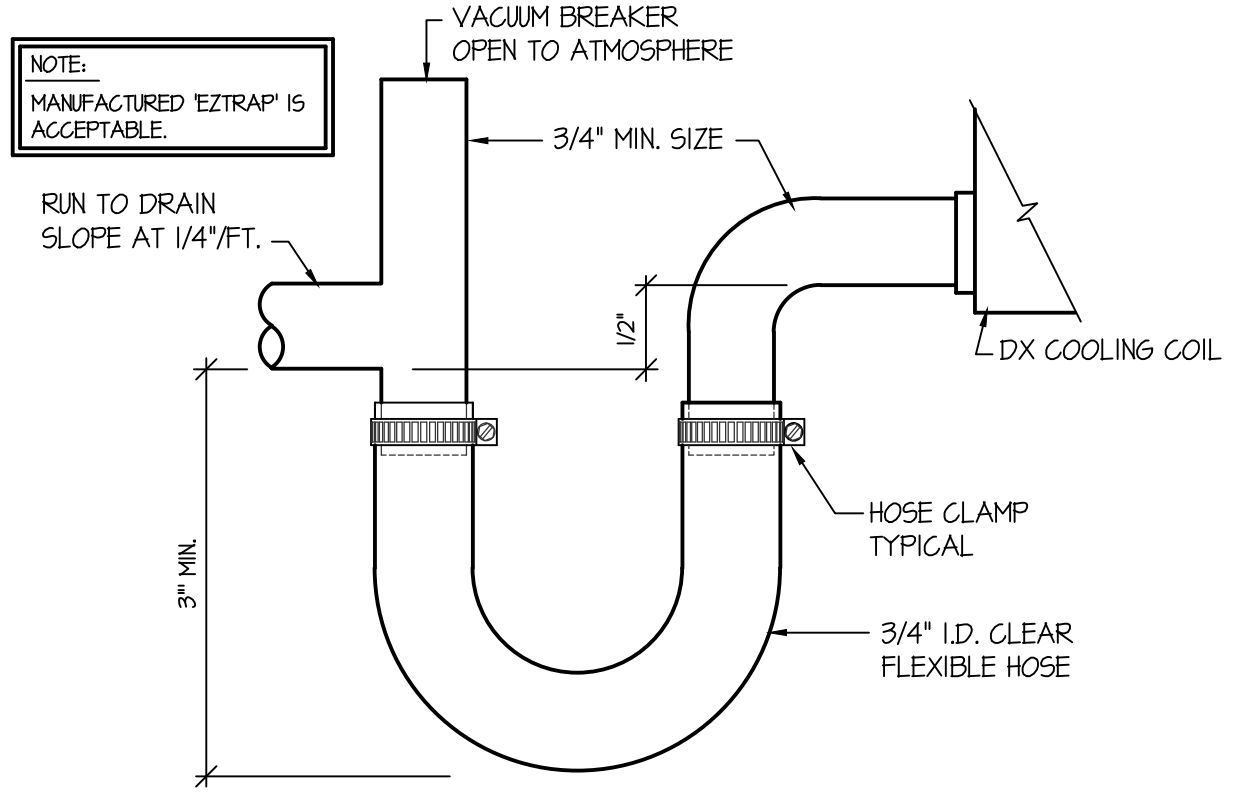
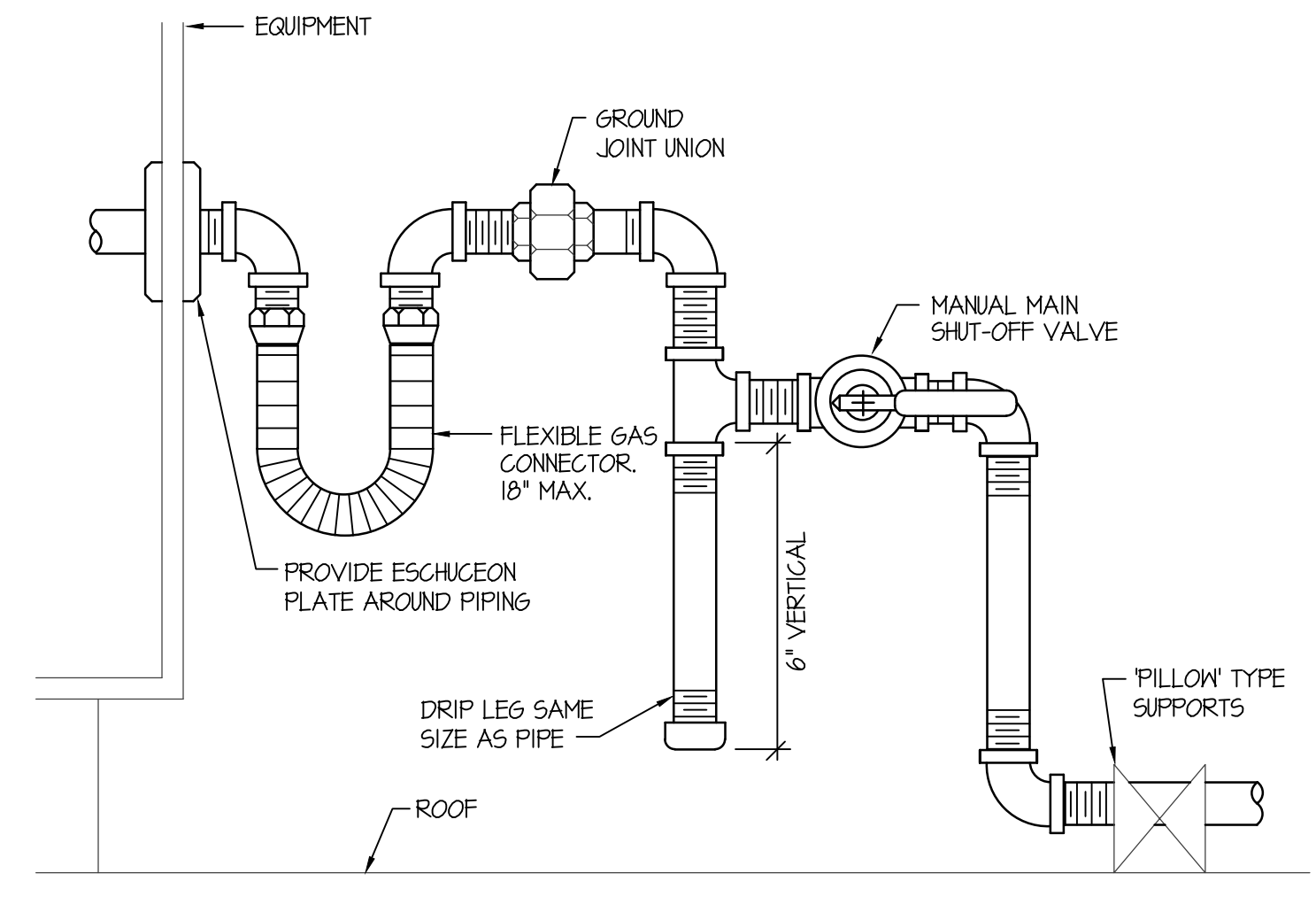
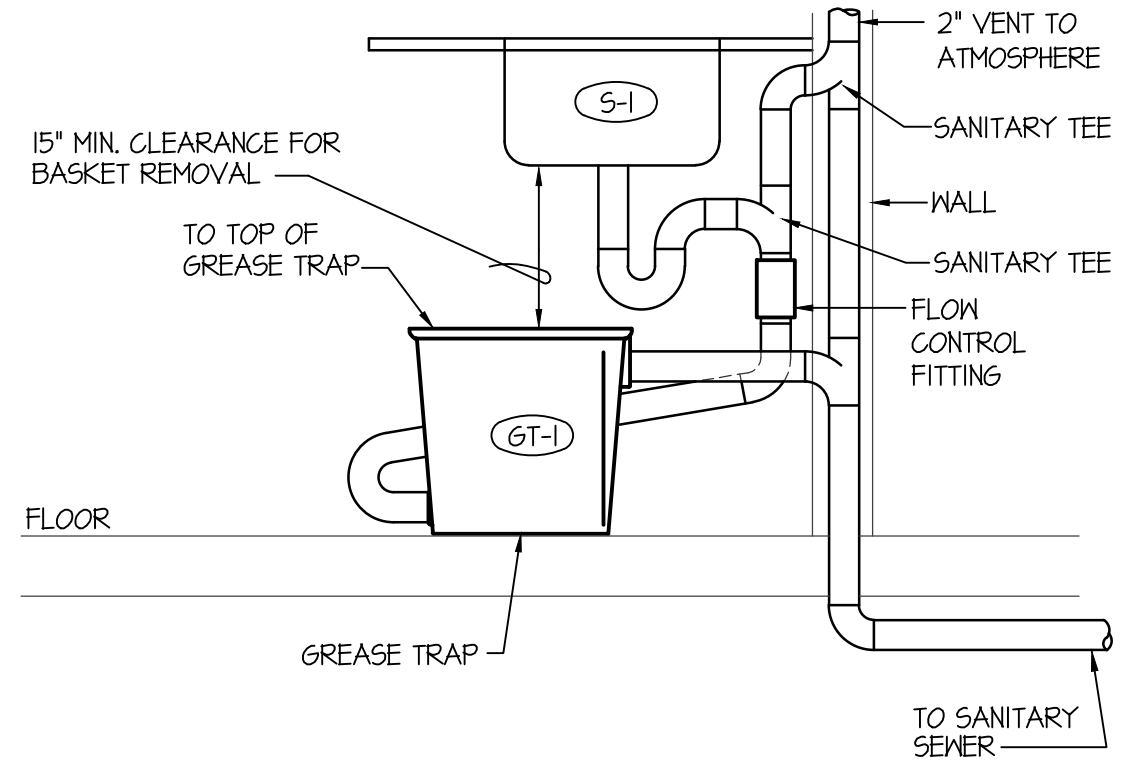
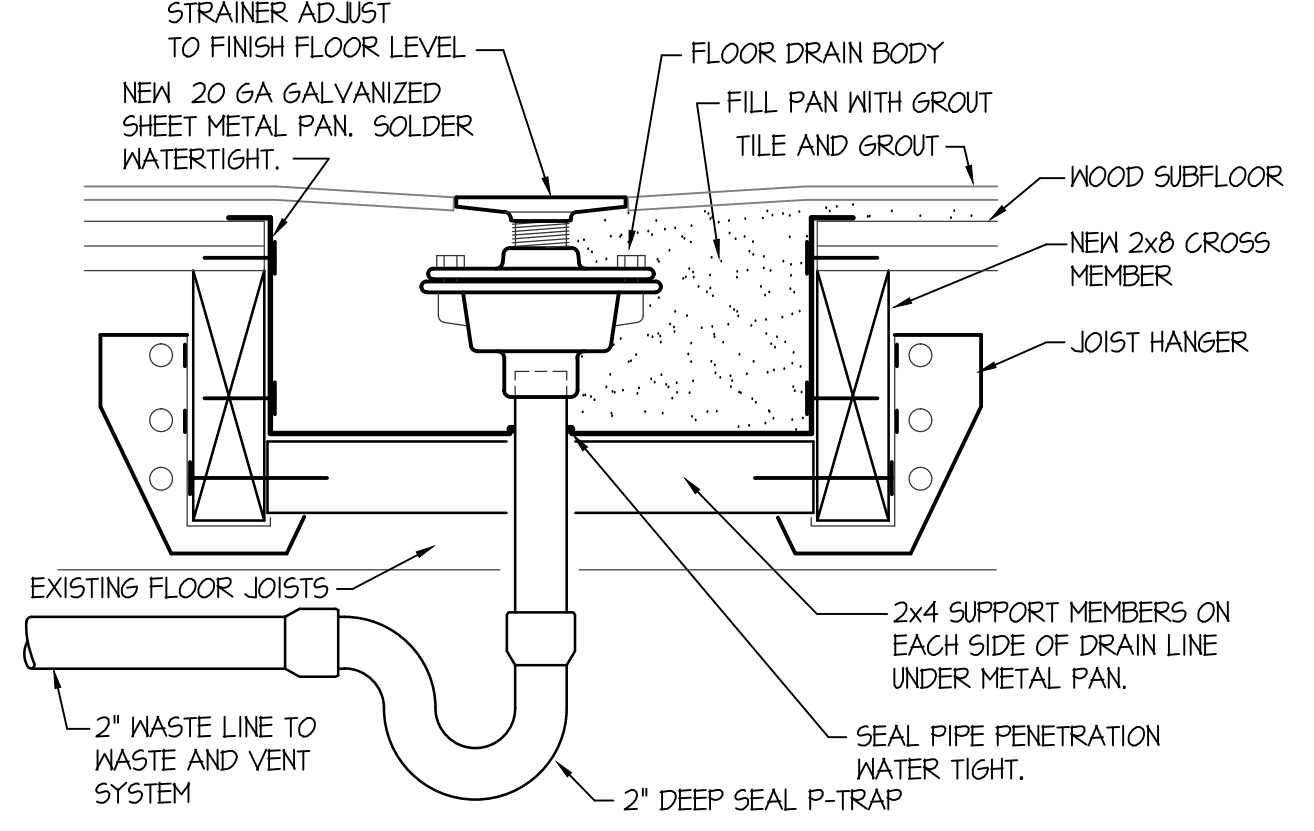
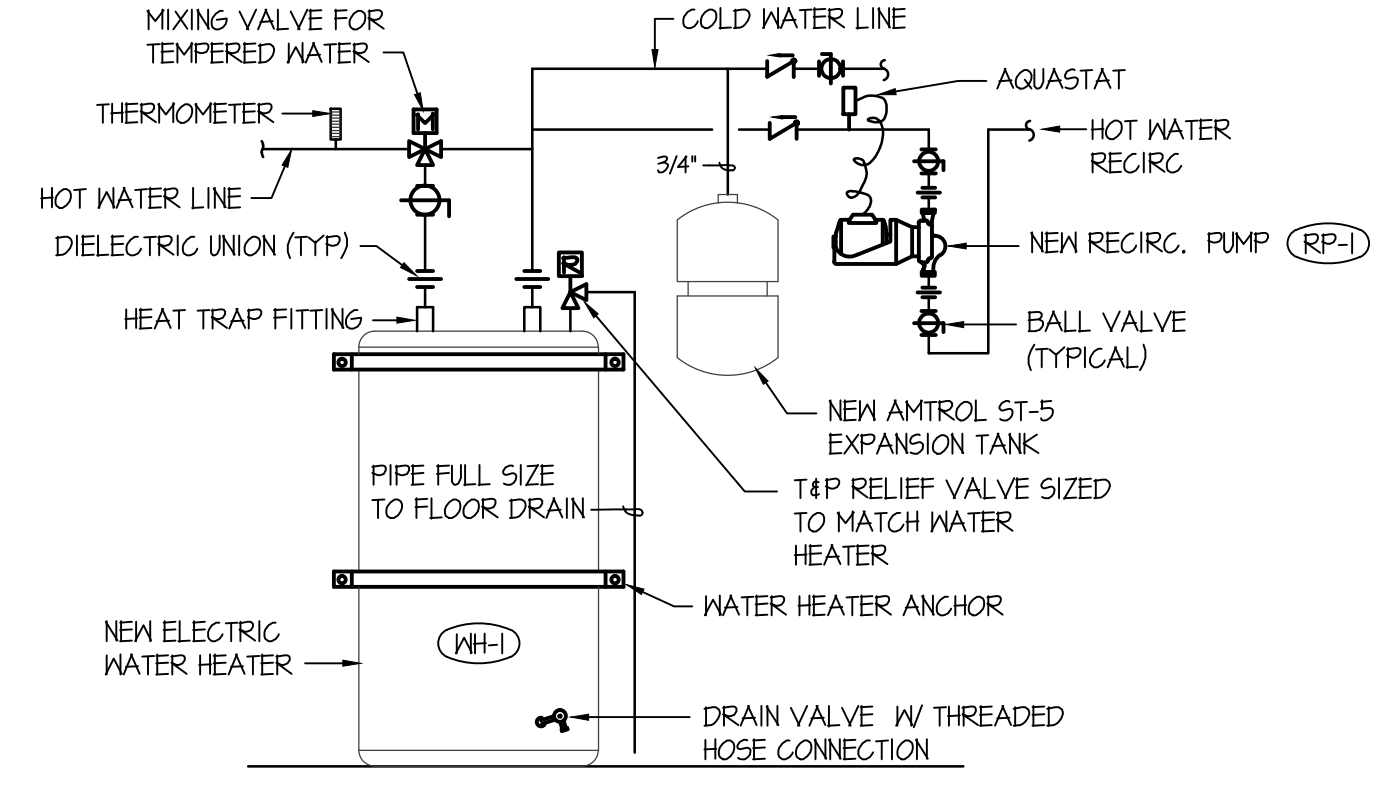
PROJECT:



DRWN. BY: SR  
 OKD. BY: DCS  
 JOB NO. 19006  
 DATE: APRIL 2019

SHEET: **10-2**  
 OF: TWO

FIXTURE SCHEDULE					
SYM.	DESCRIPTION	HOT	COLD	WASTE	VENT
(WC-1)	ADA TANK TYPE WATER CLOSET - KOHLER K-3421 "HIGHLINE" W/ ELONGATED BOWL K-4670-C WHITE OPEN FRONT SEAT, BOLT CAPS AND 1/2" STOP VALVE. RIGHT OR LEFT HAND FLUSH LEVER 90 LEVER IS ON OPEN SIDE OF ACCESSIBLE STALLS.	---	1/2"	4"	2"
(WC-2)	TANK TYPE WATER CLOSET - KOHLER K-3422 "WELLBORN" W/ ELONGATED BOWL, K-4613 WHITE SEAT WITH LID, BOLT CAPS AND 1/2" STOP VALVE.	---	1/2"	3"	2"
(L-1)	ADA WALL MOUNTED LAVATORY - KOHLER 2023 "GREENWICH" (SIZE 20"x18") WITH K-T115 OPEN GRID STRAINER, MOEN L4601 FAUCET. 1/2" STOPS AND 1-1/2" P-TRAP. PROVIDE INSULATING JACKET ON WATER AND WASTE PIPE. PROVIDE CONCEALED ARM CARRIER SYSTEM.	1/2"	1/2"	1-1/2"	1-1/2"
(L-2)	COUNTERTOP LAVATORY - KOHLER MODEL K-2905-4 SELF-RIMMING "FARMINGTON" WITH MOEN L4601 LEVER FAUCET, K-T115 OPEN GRID STRAINER, 1/2" BALL STOPS AND 1-1/4" P-TRAP.	1/2"	1/2"	1-1/2"	1-1/2"
(HW-1)	ADA WALL MOUNTED HAND WASH SINK - KOHLER 2023 "GREENWICH" (SIZE 20"x18") WITH K-T115 OPEN GRID STRAINER, MOEN L4601 FAUCET. 1/2" STOPS AND 1-1/2" P-TRAP. PROVIDE INSULATING JACKET ON WATER AND WASTE PIPE. PROVIDE CONCEALED ARM CARRIER SYSTEM.	1/2"	1/2"	1-1/2"	1-1/2"
(S-1)	FLOOR MOUNTED SERVICE SINK - KOHLER K-6710 "WHITBY" W/ K-8940 WIRE RIM GUARD, K-8428 FAUCET ASSEMBLY & K-9142 STRAINER & DEEP SEAL P-TRAP. HOSE & HOSE CLAMP	1/2"	1/2"	2"	2"
(S-1)	3 COMP. SINK WITH GOOSENECK FAUCET - ELKAY EB31620-L-18X WITH (1) LK 940 ARC TUBE FAUCET & (3) BASKET STRAINERS. COMPLETE WITH BALL STOP VALVES AND 5.5. BRAIDED SUPPLIES AND 2" WASTE TO GREASE TRAP ON FLOOR BELOW.	1/2"	1/2"	2" TO (GT-1)	2"
(WH-1)	ELECTRIC WATER HEATER - A.O. SMITH MODEL ECT-40 40 GALLON ELECTRIC WATER HEATER WITH 4500 WATT UPPER & LOWER ELEMENTS (240/60/1). AMTROL ST-5 EXPANSION TANK, T&P VALVE. PROVIDE POWERS 3/4" LM-491-10 MIXING VALVE.	3/4"	3/4"	---	---
(WH-2)	ELECTRIC WATER HEATER - EEMAX MODEL EMT 25 ELEC. POINT OF USE WATER HEATER WITH 120 VOLT POWER (1400 WATTS) COMPLETE WITH POWER CORD.	1/2"	1/2"	---	---
(WH-3)	GAS INSTANTANEOUS WATER HEATER - A.O. SMITH MODEL AT-1100-N NON-CONDENSING CONCENTRIC VENT WATER HEATER WITH 140,000 BTU INPUT, 3" CONCENTRIC VENT KIT THRU ROOF. 120/60/1 POWER REQUIRED FOR HEATER	3/4"	3/4"	---	---
(FD-1)	2" FLOOR DRAIN - ZURN Z-415B WITH 5"Ø NICKEL-BRONZE STRAINER AND 2" DEEP SEAL P-TRAP.	---	1/2"	2"	2"
(RP-1)	CIRCULATING PUMP - GRUNDFOS MODEL UP15-10BT BRONZE PUMP WITH 3/4" FLANGES (2 GPM @ 5' OF HEAD) 120/60/1	---	---	---	---
(GT-1)	GREASE TRAP - ZURN Z110 (SIZE 600) 50#, 15 GPM FLOW RECESSED GREASE TRAP. PROVIDE TRAP WITH Z110B FLOW CONTROL FITTING. INTERCEPTOR LID TO BE ACCESSIBLE FOR GREASE REMOVAL.	---	---	3"	2"
(WB-1)	WASHING MACHINE HOOK-UP - GUY GRAY MODEL BB200TS COMBINATION BOX COMPLETE WITH 2" WASTE LINE AND P-TRAP, 1/2" HOT & COLD WATER LINES FROM BOTTOM	1/2"	1/2"	2"	2"
(KS-1)	DOUBLE COMPARTMENT SINK - ELKAY MODEL LR-3319 WITH 18 GA TYPE 304 STAINLESS STEEL CONSTRUCTION, 3-HOLE FAUCET DRILLINGS, MOEN T560SL FAUCET, (2) LK-99 STRAINERS, 1-1/2" P-TRAP AND 1/2" BALL TYPE STOP VALVES.	1/2"	1/2"	1-1/2"	1-1/2"



F:\1914006 CANDY JAR\19006 P-2.dwg Apr 19, 2019 - 4:04pm