

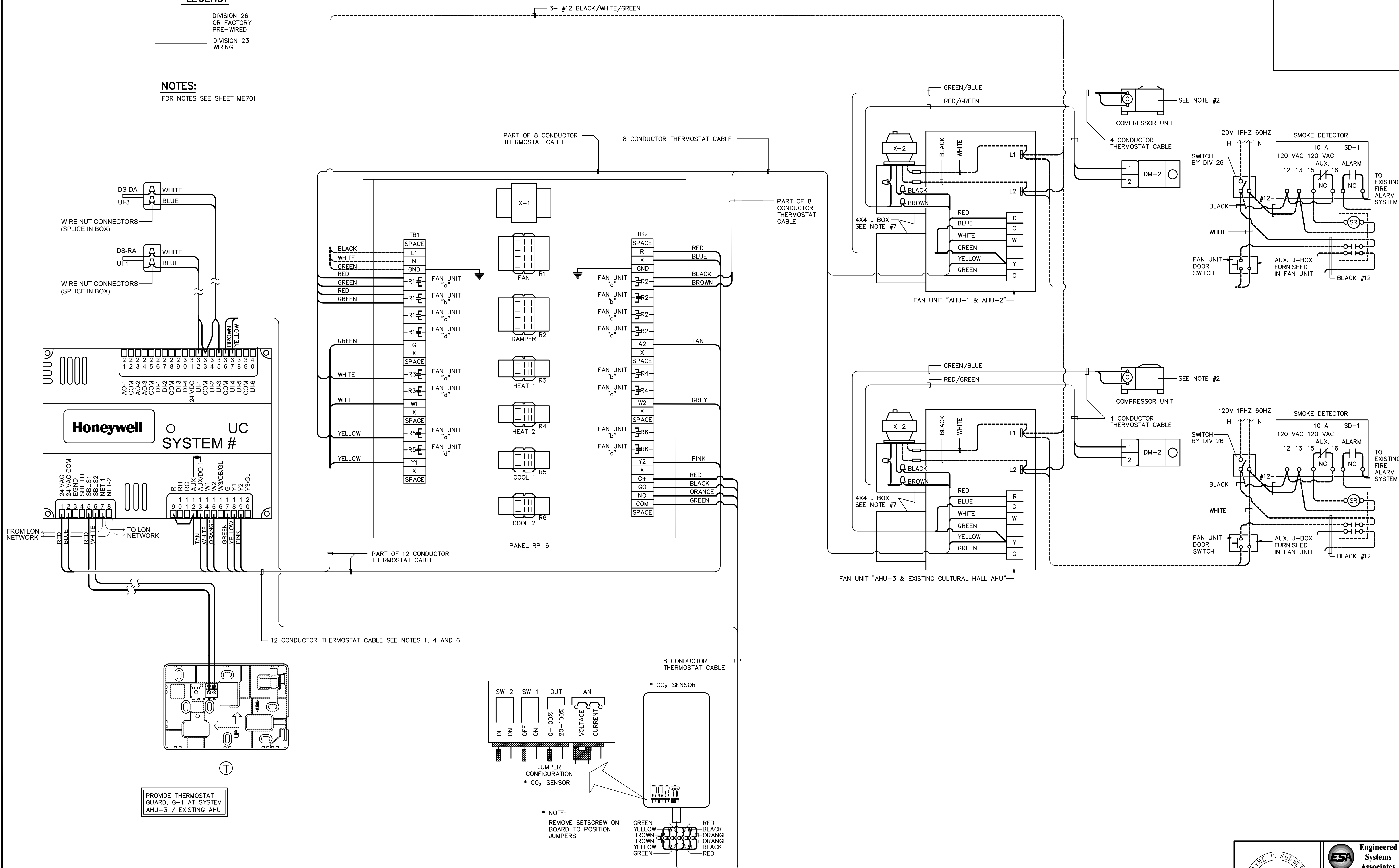
LEGEND:

--- DIVISION 26
OR FACTORY
PRE-WIRED

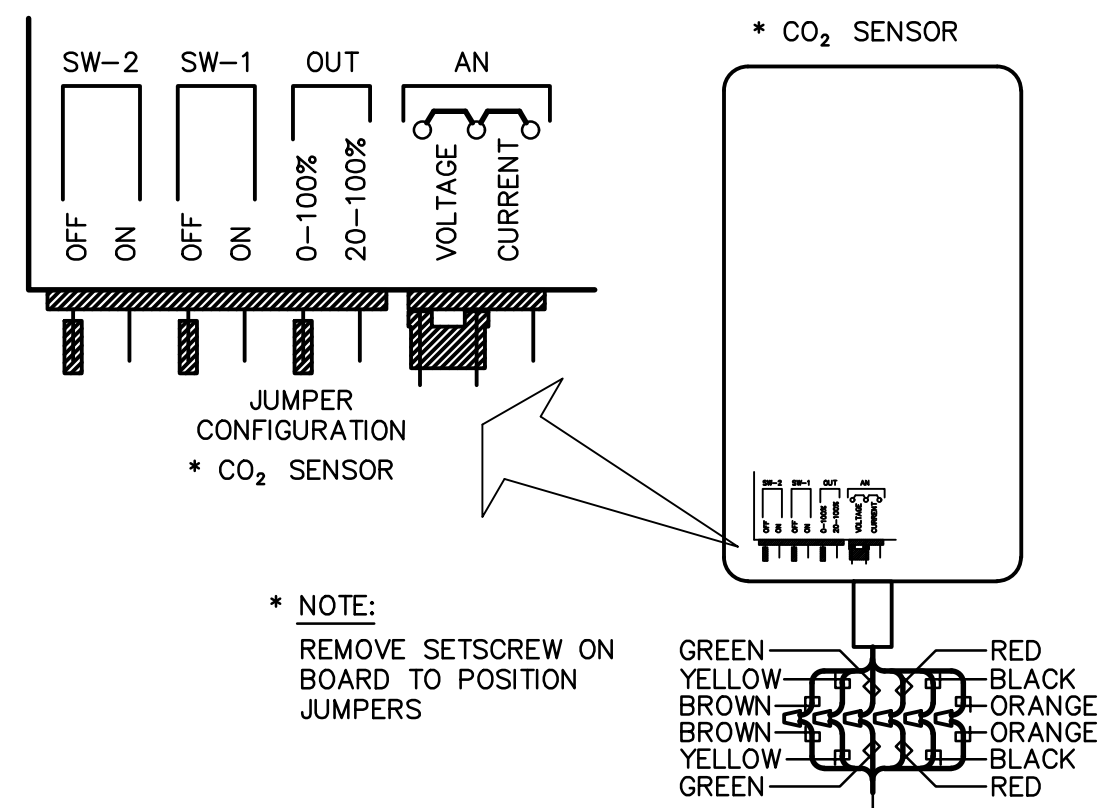
— DIVISION 23
WIRING

NOTES:

FOR NOTES SEE SHEET ME701

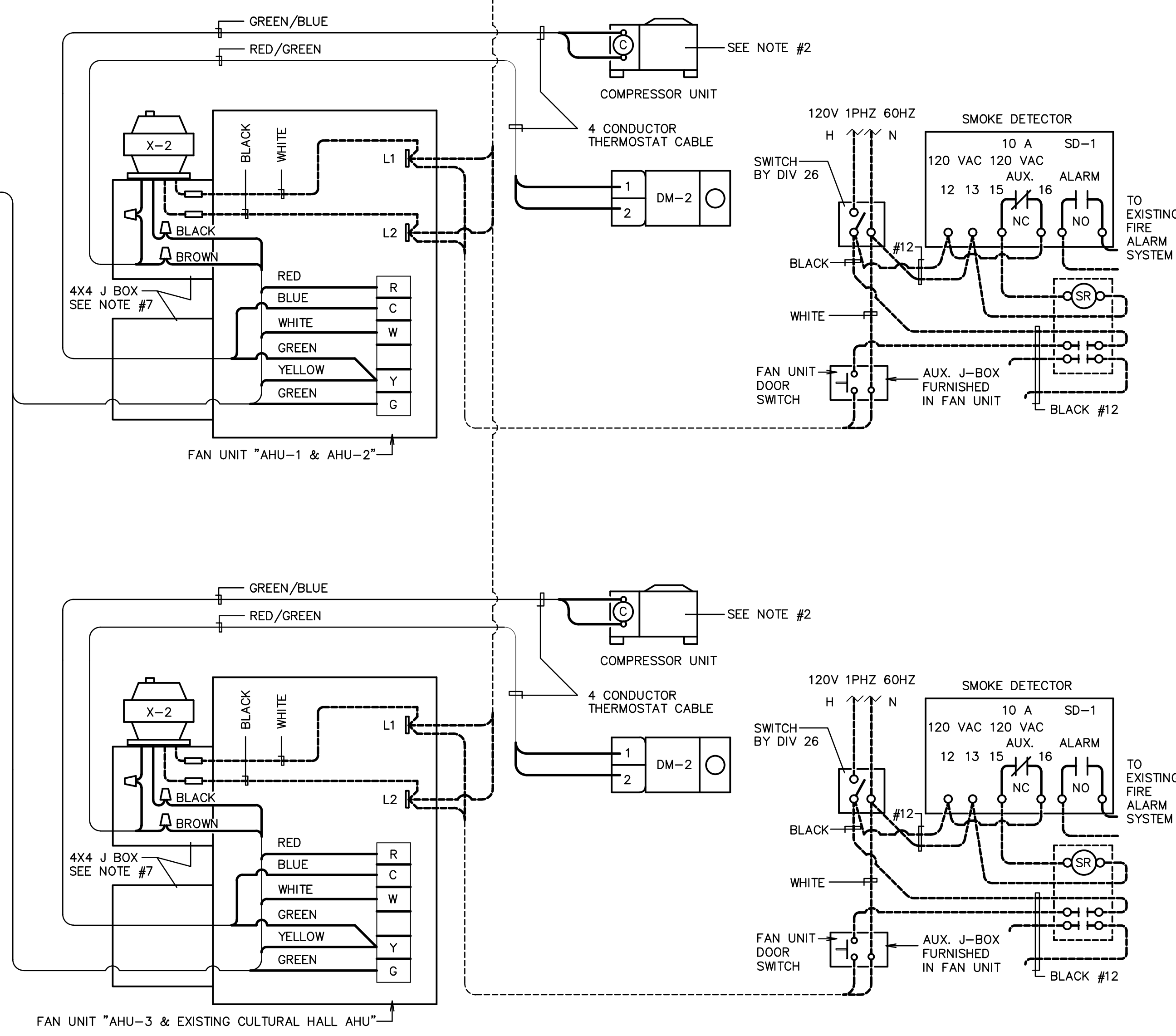


PROVIDE THERMOSTAT GUARD, G-1 AT SYSTEM AHU-3 / EXISTING AHU



WIRING DIAGRAM

SYSTEMS: AHU-1, AHU-2, AHU-3 & EXISTING CULTURAL HALL AHU



Architect / Engineer:
P.C. Architects Inc.
Dennis B. Patten, AIA
P.O. Box 217
St. George, UT 84771
(435) 673-6579

Expiration date of license: 04/30/22
This work was prepared by me or under my supervision. Construction of this project will be under my observation.
Dwayne C. Sudweeks
Professional Engineer
License No. 12830-M
Professional Architect
License No. 12830-A

Project Name:
KALIHI RE-ROOF AND HVAC REFURBISHMENT
HONOLULU, HAWAII WEST STAKE
TMK: 1-3-005:17
1120 Kalia St. (1723 Beckley St.) Honolulu, HI 96819

Owner:
THE CHURCH OF JESUS CHRIST OF LATTER-DAY SAINTS

1	09-01-2021	BID SET	Description

Project Number:
PCA-2013
Plan Series:
EXISTING
Property Number:
500-0031-919010101

Sheet Title: **CONTROLS**

Sheet:

M303

Engineered Systems Associates
1355 EAST CENTER
POCATELLO, IDAHO 83201
PHONE: (208) 233-0501
FAX: (208) 233-0529
EMAIL: esa@engsystems.com
ESA JOB NUMBER: 20078

LICENSED PROFESSIONAL ENGINEER
DWAYNE C. SUDWECK
No. 12830-M
HAWAII U.S.A.
Aug 27, 2021