

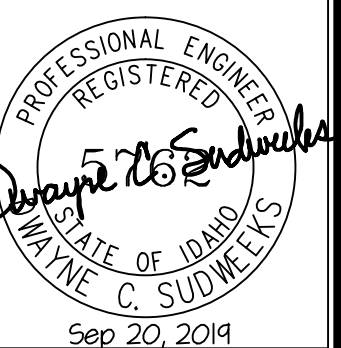


**Engineered Systems Associates  
Mechanical Engineers**

Dwayne Sudweeks  
1355 East Center - Pocatello, Idaho 83201  
Phone: (208) 233-0501 Fax: (208) 233-0529 email: esa@engsystems.com

**A NEW BUILDING FOR:  
GOODING FIRE DEPARTMENT  
GOODING, IDAHO**

PROJECT:  
SHEET TITLE:  
**MECHANICAL FLOOR PLAN**

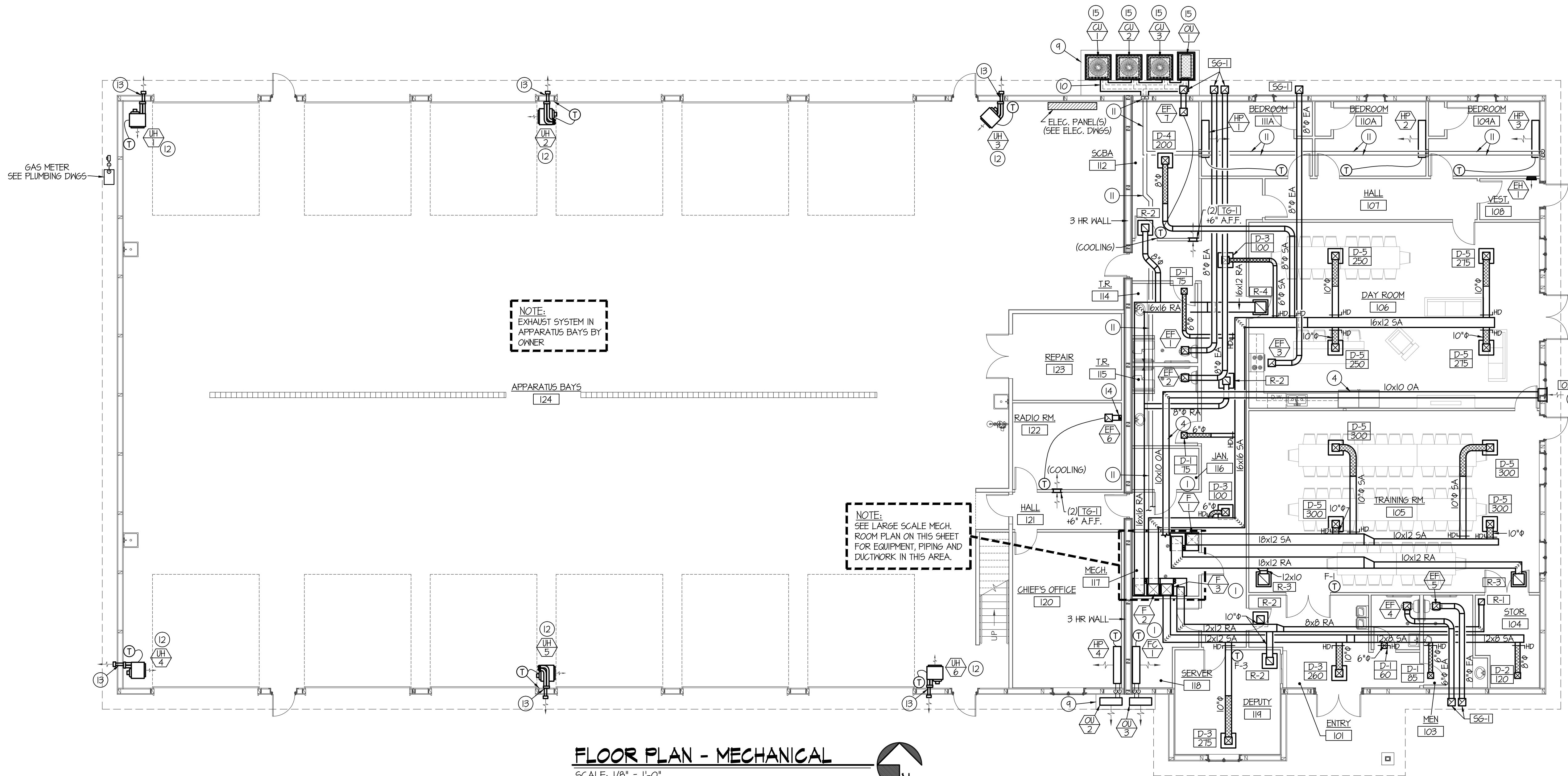


DRWN. BY: **SR**    CDD. BY: **DCS**  
JOB NO. **13055**    DATE: **AUG. 2014**

SHEET: **M-1**  
OF: **THREE**

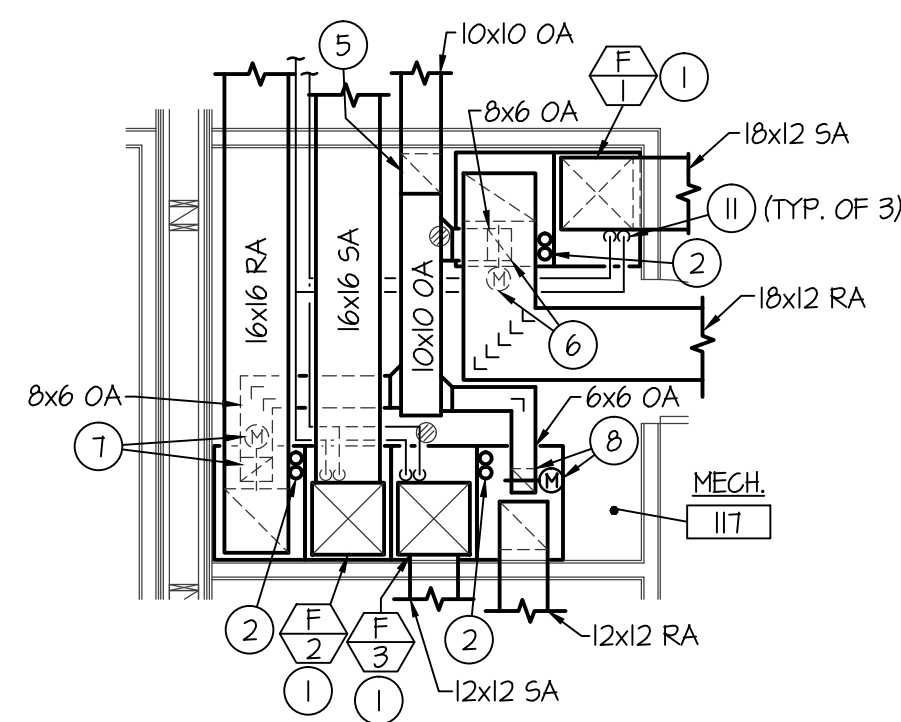
**PLAN NOTES:**

- 1 INSTALL FURNACE ON 12" HIGH RETURN AIR PLENUM. SEE DETAIL ON SHEET M-2.
- 2 RISE (2) 3"Ø FURNACE FLUES UP THRU METAL ROOF TO VERTICAL VENT TERMINATION ASSEMBLY NEAR PEAK OF ROOF. SEE DETAIL ON SHEET M-2.
- 3 INSTALL OUTDOOR AIR LOUVER AS HIGH AS POSSIBLE ON GABLE END.
- 4 RUN 10x10 OUTSIDE AIR DUCT FROM LOUVER ACROSS AS HIGH AS POSSIBLE IN ATTIC SPACE.
- 5 DROP 10x10 OA DUCT DOWN THRU CEILING MECH. ROOM AND RUN EXPOSED AT CEILING TO SERVE FURNACES F-1, F-2 AND F-3 AS SHOWN.
- 6 DROP 6x6 OA DUCT DOWN FROM CEILING AND CONNECT TO RETURN AIR PLENUM. INSTALL HAND DAMPER, ACCESS PANEL AND MOTORIZED DAMPER IN VERTICAL PORTION OF 6x6 OA DUCT. INTERLOCK MOTORIZED DAMPER WITH FURNACE OPERATION. BALANCE HAND DAMPER TO 200 CFM.
- 7 DROP 6x6 OA DUCT DOWN FROM CEILING AND CONNECT TO RETURN AIR PLENUM. INSTALL HAND DAMPER, ACCESS PANEL AND MOTORIZED DAMPER IN VERTICAL PORTION OF 6x6 OA DUCT. INTERLOCK MOTORIZED DAMPER WITH FURNACE OPERATION. BALANCE HAND DAMPER TO 150 CFM.
- 8 DROP 6x6 OA DUCT DOWN FROM CEILING AND CONNECT TO RETURN AIR PLENUM. INSTALL HAND DAMPER, ACCESS PANEL AND MOTORIZED DAMPER IN VERTICAL PORTION OF 6x6 OA DUCT. INTERLOCK MOTORIZED DAMPER WITH FURNACE OPERATION. BALANCE HAND DAMPER TO 80 CFM.
- 9 4" THICK CONCRETE PAD FOR CONDENSING UNITS BY GENERAL CONTRACTOR.
- 10 COVER EXPOSED REFRIGERANT PIPING WITH 18 GA. GALVANIZED SHEET METAL COMPLETE WITH 24 GA. PREFINISHED METAL SKIN. SEE DETAIL ON SHEET M-3.
- 11 RUN REFRIGERANT PIPING FROM CONDENSING UNITS / OUTDOOR UNIT TO EXTERIOR WALL AND RISE UP IN STUD SPACE TO ATTIC SPACE. RUN IN ATTIC SPACE ACROSS TO MECH. ROOM AND SLEEPING ROOMS. DROP PIPING DOWN THRU CEILING AND CONNECT TO DX COOLING COIL ON FURNACES AND HEAT PUMPS AS SHOWN. SEE CONDENSING UNIT SCHEDULE AND REFRIGERANT PIPING DIAGRAM AND DETAILS ON SHEET M-2 AND M-3 FOR PIPE SIZES.
- 12 MOUNT UNIT HEATER AT 10'-0" AFF IN LOCATION SHOWN. CAREFULLY COORDINATE FINAL LOCATION WITH OVERHEAD DOOR HARDWARE AND OTHER TRADES.
- 13 RUN (2) 4"Ø UNIT HEATER FLUES THRU SIDEMALL TO HORIZONTAL VENT TERMINATION ASSEMBLY AS PER MANUFACTURER'S INSTRUCTIONS. SEE DETAIL ON SHEET M-2.
- 14 RISE 10x4 EA DUCT UP THRU FLOOR OF MEZZANINE ABOVE TO SLOPED ROOF GAP AND SEAL ROOF PENETRATION WEATHERTIGHT.
- 15 INSTALL CONDENSING UNIT COVER AS PER DETAIL ON SHEET M-3.



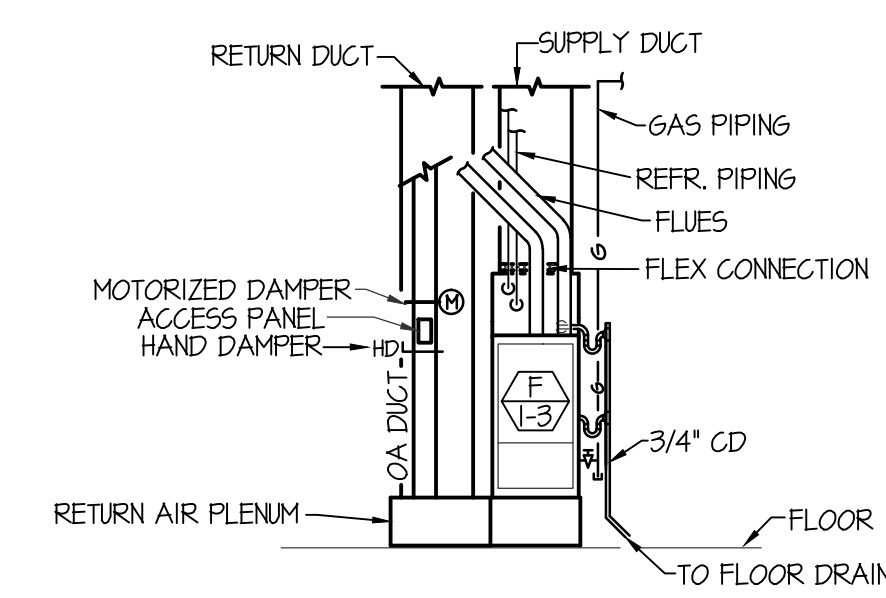
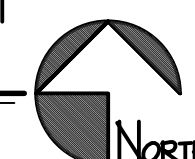
**FLOOR PLAN - MECHANICAL**

SCALE: 1/8" = 1'-0"



**LARGE SCALE MECH. ROOM  
MECH. FLOOR PLAN**

SCALE: 1/4" = 1'-0"



**TYPICAL UPFLOW FURNACE  
ELEVATION**

NO SCALE

**MECHANICAL LEGEND**

SYMBOL	DESCRIPTION
	ELECTRONIC THERMOSTAT
	EQUIPMENT SYMBOL
	ELECTRIC WALL HEATER
	HAND DAMPER
	ROUND BRANCH DUCT WITH HAND DAMPER
	RECTANGULAR SUPPLY AND RETURN AIR DUCT TAKE-OFF
	TURNING VANES
	DUCT TRANSITION
	INSULATED FLEXIBLE DUCT
	SIDEMALL REGISTER SUPPLY OR RETURN AIR
	RETURN AIR OR EXHAUST GRILLE
	CEILING DIFFUSER
	CEILING MOUNTED EXHAUST FAN
	GAS FIRED FURNACE
	AIR COOLED CONDENSING UNIT