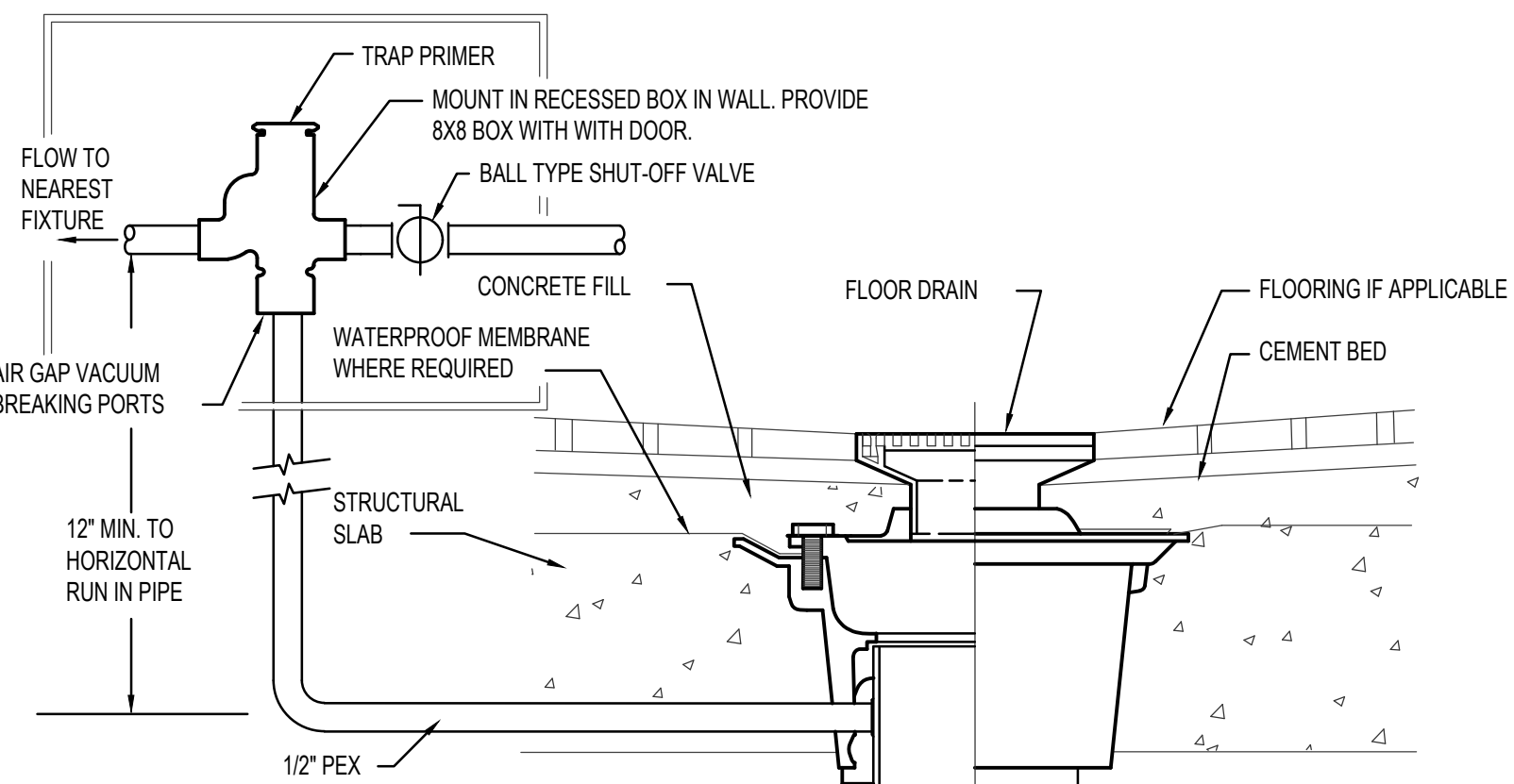
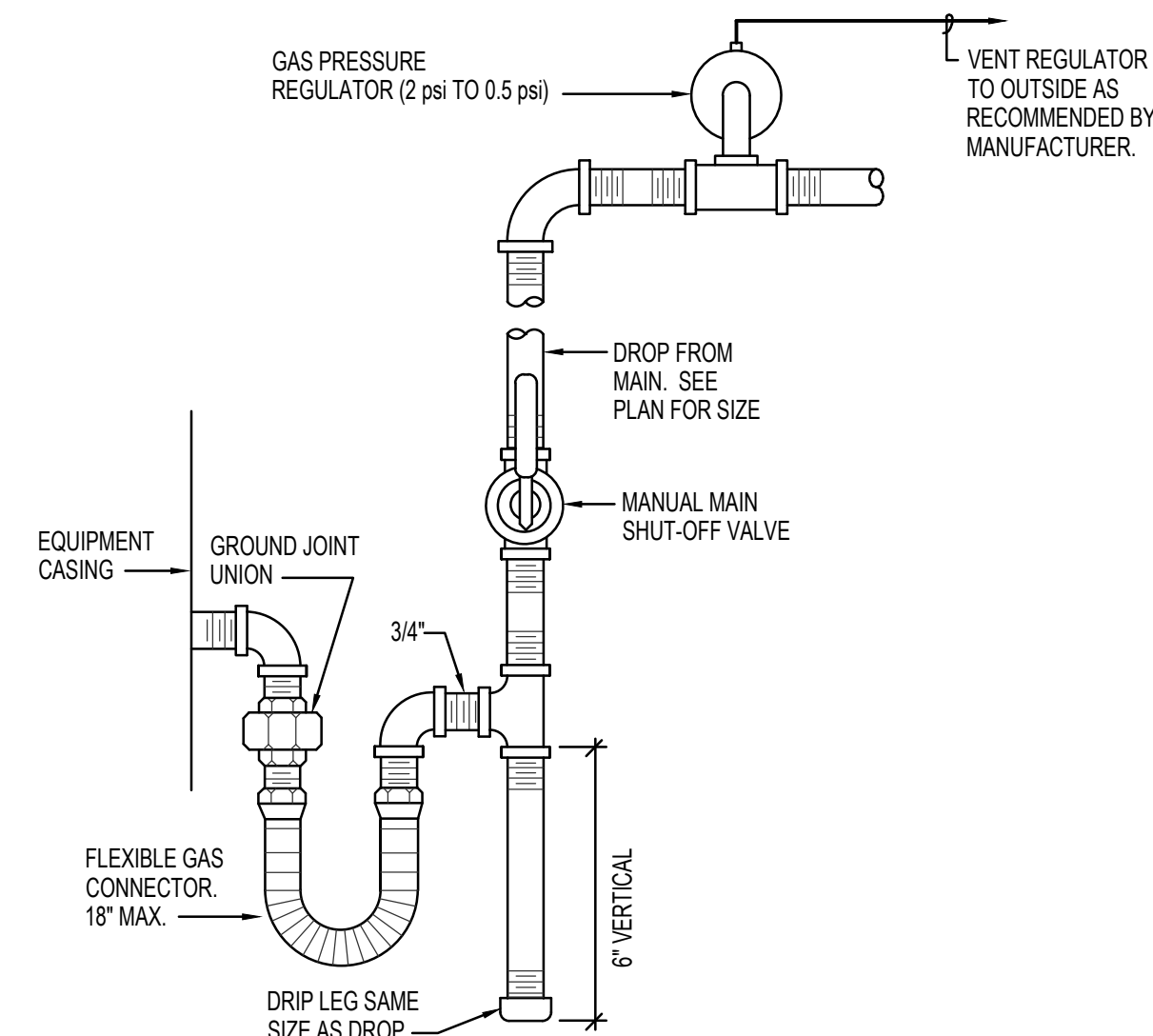


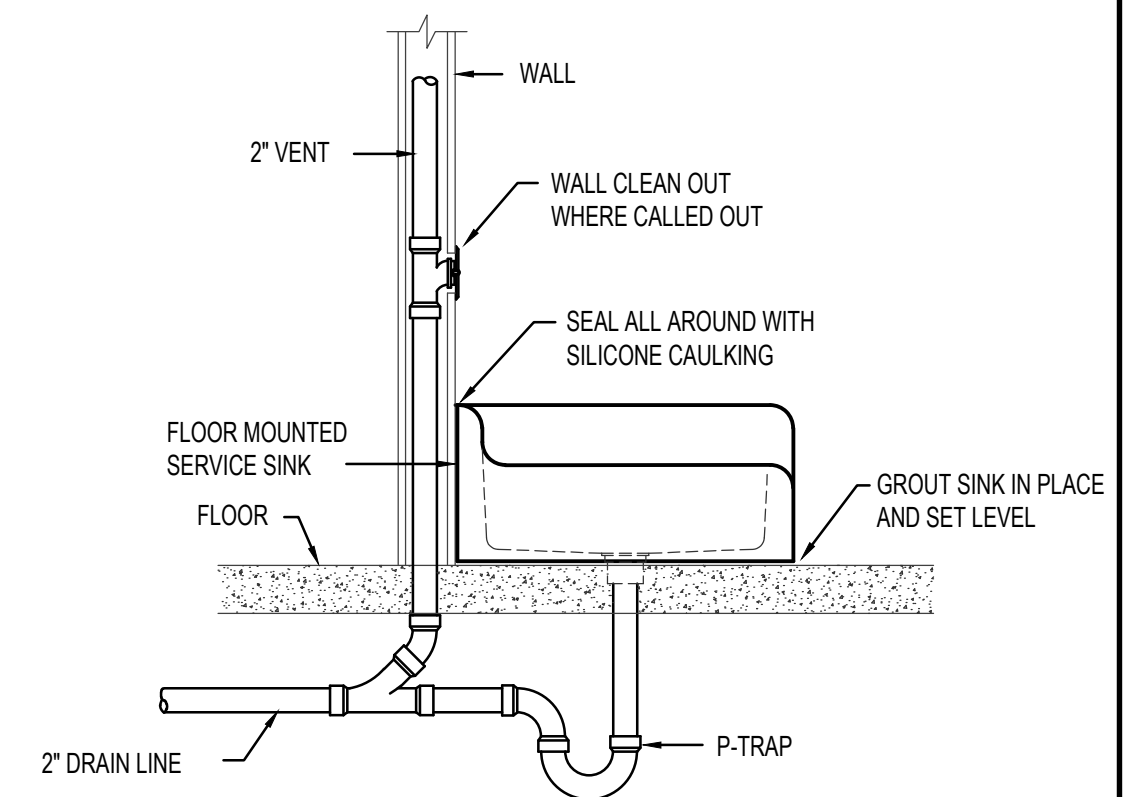
**WATER PRESSURE REDUCING STATION DETAIL**  
NO SCALE



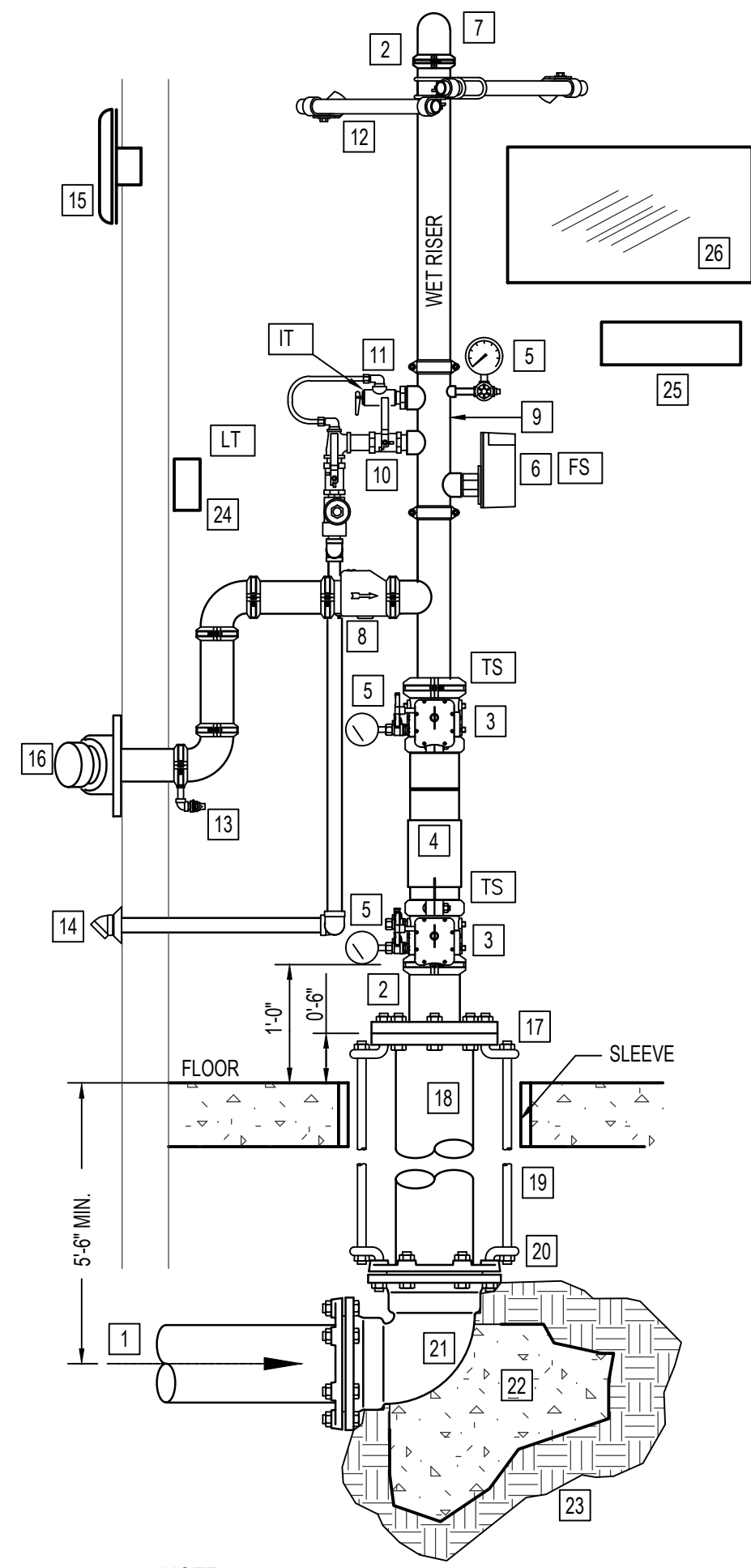
**TRAP PRIMER DETAIL**  
NO SCALE



**GAS LINE CONNECTION DETAIL**  
NO SCALE



**SERVICE SINK INSTALLATION DETAIL**  
NO SCALE

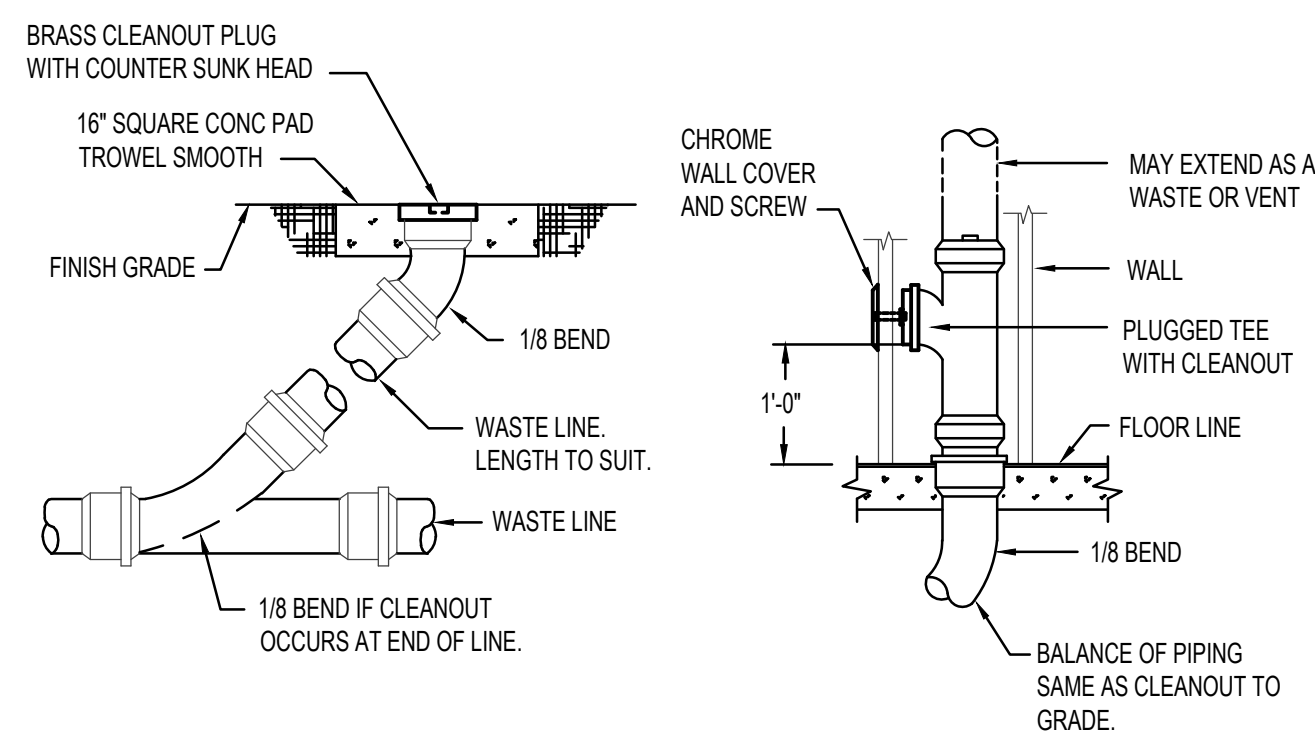


NOTE:  
PROVIDE SLEEVES WHERE PIPING PENETRATES BUILDING AT FLOOR AND WALLS. SEAL AROUND PENETRATION WITH FLEXIBLE MASTIC AT FLOOR. PROVIDE 2" ANNULAR SPACE AROUND AND RESTRAIN FLANGE SPIGOT.

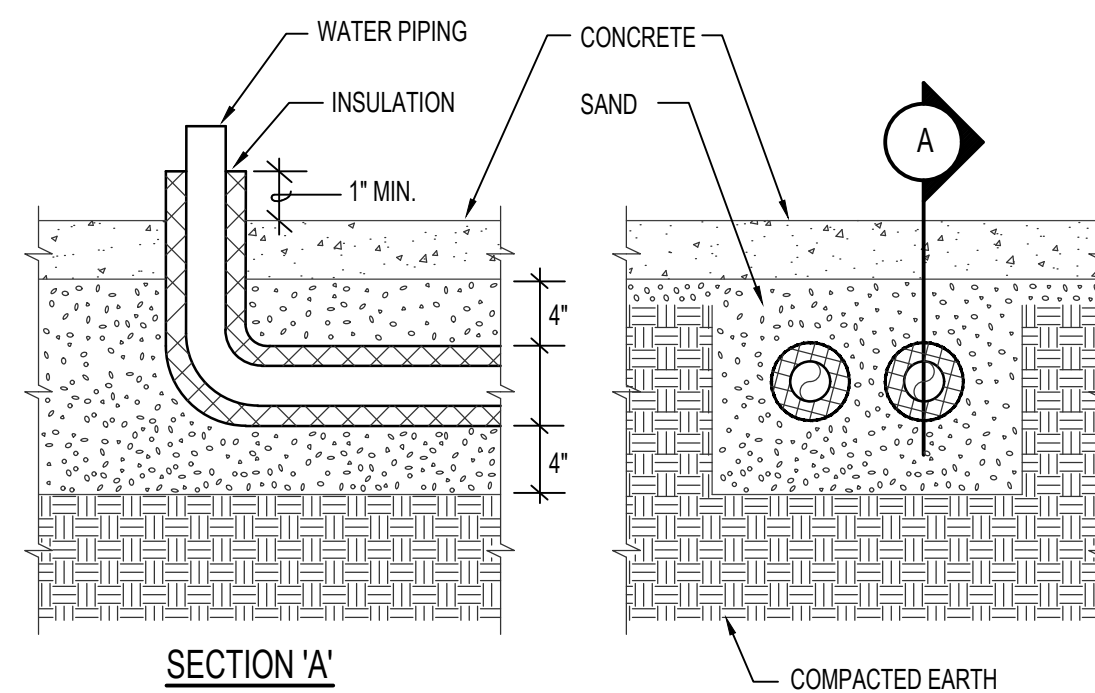
**VERTICAL FIRE RISER DETAIL**  
NO SCALE

**WET RISER DETAIL NOTES**

- 1 4" WATER SUPPLY FROM CITY WATER MAIN. USE CLASS 53 DUCTILE IRON WHEN CROSSING UNDER BLDG FOUNDATION.
- 2 USE FLEXIBLE GROOVED PIPE COUPLING ONLY IF SEISMIC BRACING IS REQUIRED. SEE NOTE #12.
- 3 GROOVED BUTTERFLY VALVE WITH INTEGRAL SUPERVISORY SWITCH.
- 4 DOUBLE CHECK BACKFLOW PREVENTER WITH RELATED TRIM AND GAUGES.
- 5 3-1/2" DIAMETER WATER GAUGE WITH 1/2" TEST AND ISOLATION VALVE.
- 6 VANE TYPE WATER FLOW SWITCH.
- 7 SUPPLY TO WET PIPE FIRE SPRINKLER SYSTEM.
- 8 SWING CHECK VALVE.
- 9 RISER MANIFOLD - INCLUDES PRESURE GAUGE, FLOW SWITCH, PRESSURE RELIEF VALVE, AND TEST AND MAIN DRAIN DEVICE.
- 10 INSPECTOR'S TEST & MAIN DRAIN DEVICE [IT] - PIPE TO OUTSIDE.
- 11 PRESSURE RELIEF VALVE SHALL BE REQUIRED SET AT 175 PSI. - PIPED TO DISCHARGE OUTSIDE.
- 12 SEISMIC BRACING REQUIRED IN SEISMIC DESIGN CATEGORY C, D, E, F.
- 13 1 1/2" AUTOMATIC BALL DRIP VALVE.
- 14 PIPE TO DRAIN OUTSIDE.
- 15 WEATHERPROOF ELECTRIC BELL OR HORN AND STROBE (OUTSIDE).
- 16 OUT TO FIRE DEPARTMENT CONNECTION WITH GALVANIZED SCH 40 PIPING. PROVIDE BALL DRIP WHEN TRAPPING PIPE. SIZE CONNECTION AS REQUIRED. NOTE: PIPE FDC TO REMOTE LOCATION WHEN REQUIRED BY FIRE MARSHAL.
- 17 GALVANIZED FLANGE AND SPOOL PIECE
- 18 CLASS 53 D.I. FLANGED SPIGOT
- 19 3/4" A.T.R.
- 20 3/4" BENT EYE BOLT
- 21 MECHANICAL JOINT 90° ELL
- 22 CONCRETE THRUST BLOCK WITH 5 SQ. FEET BEARING AREA
- 23 UNDISTURBED EARTH
- 24 LOW TEMPERATURE SENSOR - MOUNTED ON WALL - THIS SWITCH IS PROVIDED UNDER DIVISION 28 OF THE SPECIFICATIONS.
- 25 SPARE HEAD CABINET WITH SPARE SPRINKLER HEADS AND WRENCHES.
- 26 LAMINATED SYSTEM MAP WITH SYSTEM START-UP AND SHUT-DOWN INSTRUCTIONS.

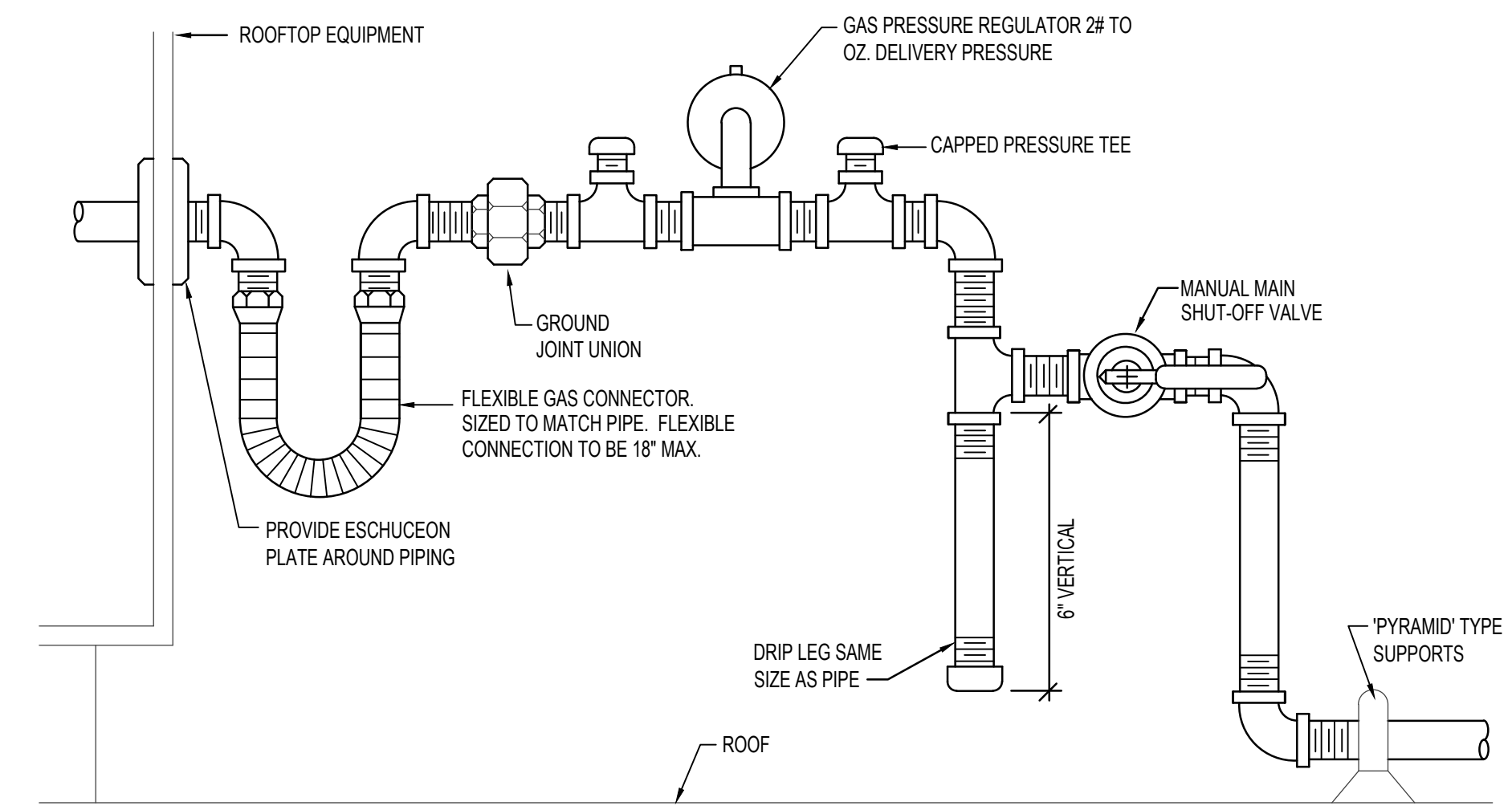


**CLEAN OUT DETAILS**  
NO SCALE

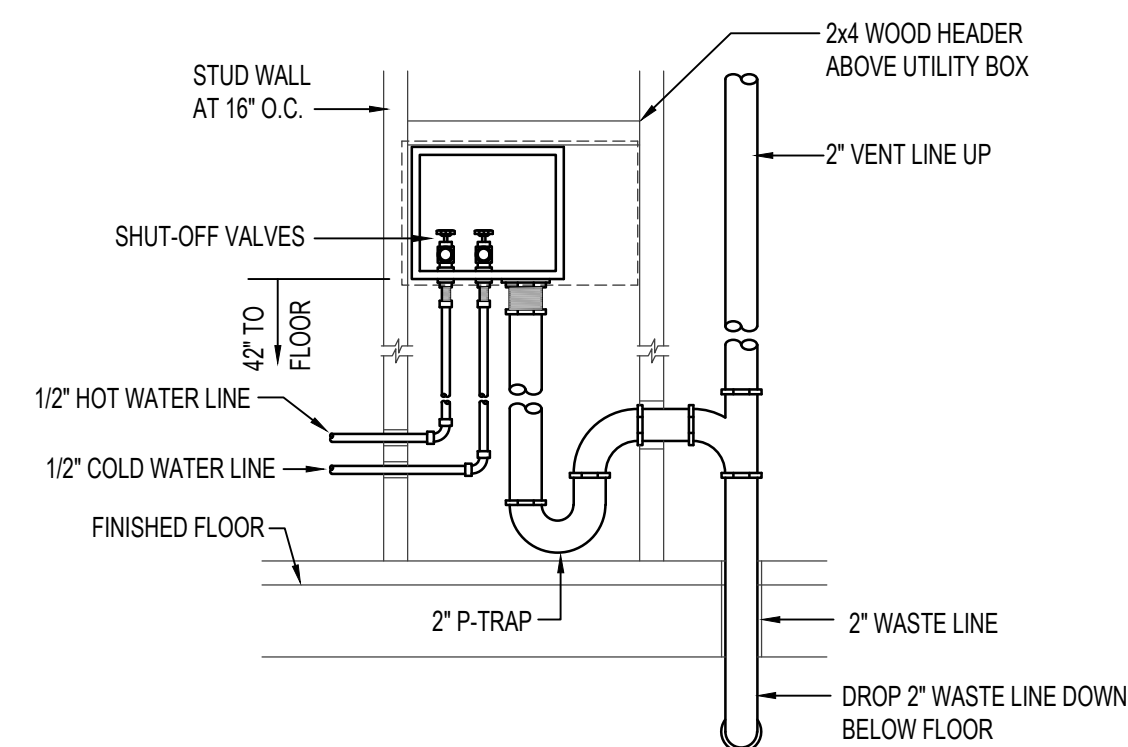


- NOTES:
- 1 - ALL WATER PIPING INSTALLED UNDERFLOOR SHALL BE TYPE "K" COPPER OR PEX
  - 2 - WATER PIPE INSULATION ON UNDERFLOOR PIPING SHALL BE ARMAFLEX 3/4" THICK RUBBER PIPE INSULATION. TAPE INSULATION AT ALL SEAMS.
  - 3 - MINIMUM PIPE SIZE UNDERFLOOR SHALL BE 3/4"
  - 4 - SAND FILL AROUND PIPING SHALL BE A MINIMUM OF 4" THICK. MATERIAL SHALL BE HAND TAMPED, RODDED OR LIGHTLY COMPACTED DURING INSTALLATION. CARE SHOULD BE TAKEN NOT TO DEFORM OR OTHERWISE DAMAGE PIPING OR INSULATION.

**UNDER SLAB PIPE INSTALLATION DETAIL**  
NO SCALE



**ROOF TOP GAS PRESSURE REGULATOR DETAIL**  
NO SCALE



**WASHER BOX PIPING DETAIL**  
NO SCALE

Professional Engineer  
  
**Engineered Systems Associates**  
 1355 EAST CENTER  
 POCATELLO, IDAHO 83201  
 PHONE: (208) 233-0501  
 FAX: (208) 233-0529  
 EMAIL: esa@engsystems.com  
 ESA JOB NUMBER: 22017

DATE: 05.06.22

A NEW HOTEL:  
 HOTEL  
 TWIN FALLS, ID.  
 PLUMBING DETAILS

Laughlin Ricks Architecture  
 architecture/planning  
 134 3RD AVE. E. \* Twin Falls, Idaho 83301  
 (208) 736-8050 Fax: (208) 733-0950

DATE: 5/06/2022  
 DR: [Signature]  
 DLH: Checked

**P3-0**