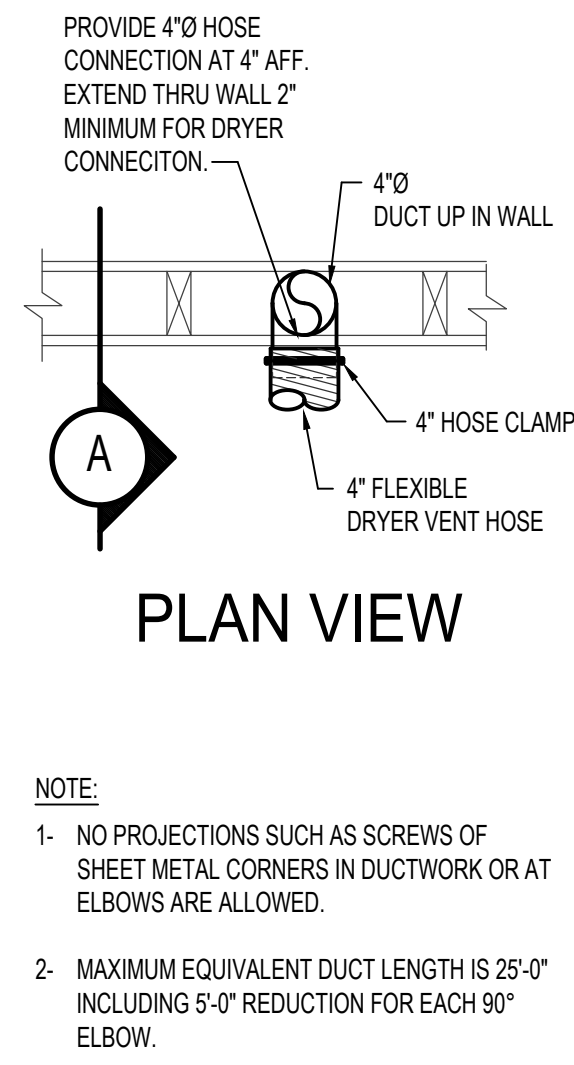
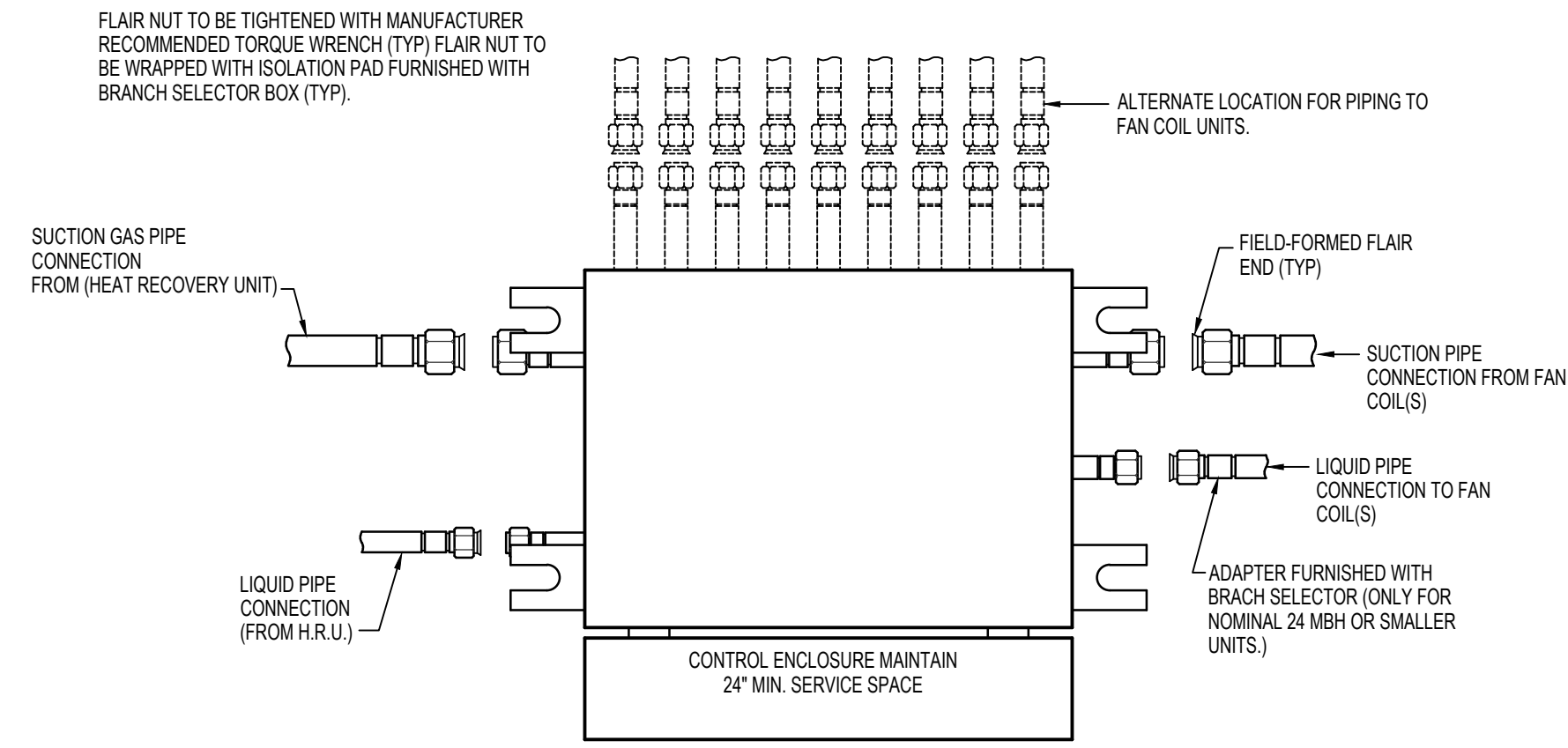


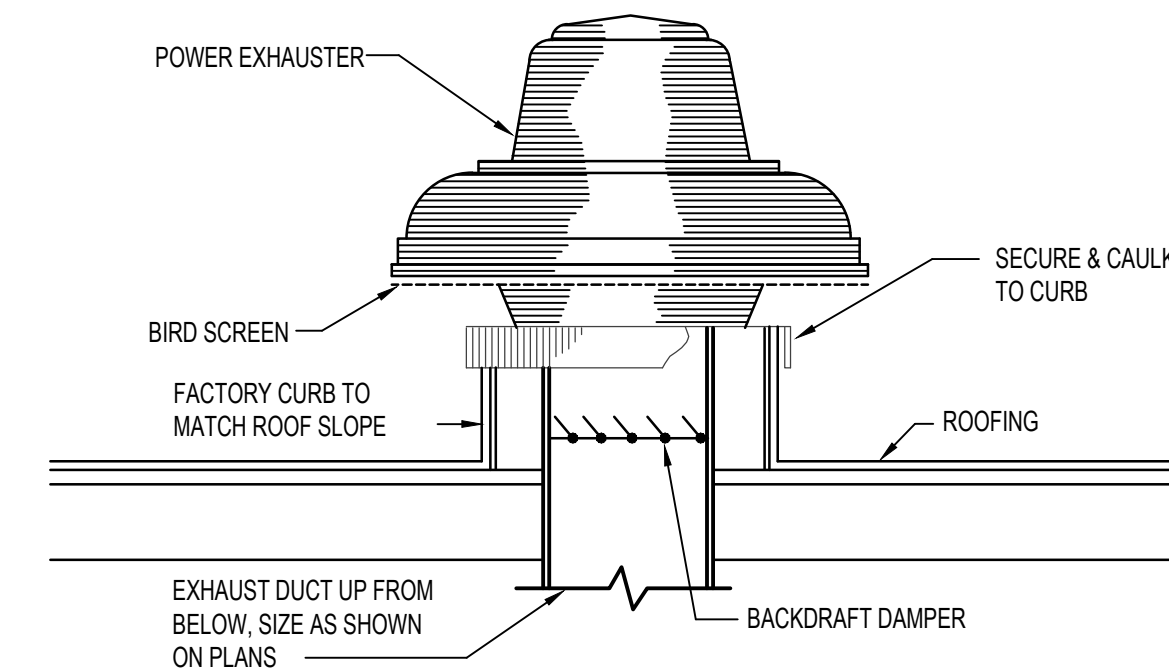
DRYER VENT DETAIL
NO SCALE



NOTE:
1- NO PROJECTIONS SUCH AS SCREWS OR SHEET METAL CORNERS IN DUCTWORK OR AT ELBOWS ARE ALLOWED.
2- MAXIMUM EQUIVALENT DUCT LENGTH IS 25'-0" INCLUDING 5'-0" REDUCTION FOR EACH 90° ELBOW.



VRF REFRIGERANT BRANCH BOX DETAIL
NO SCALE



ROOF TOP EXHAUST FAN DETAIL
NO SCALE

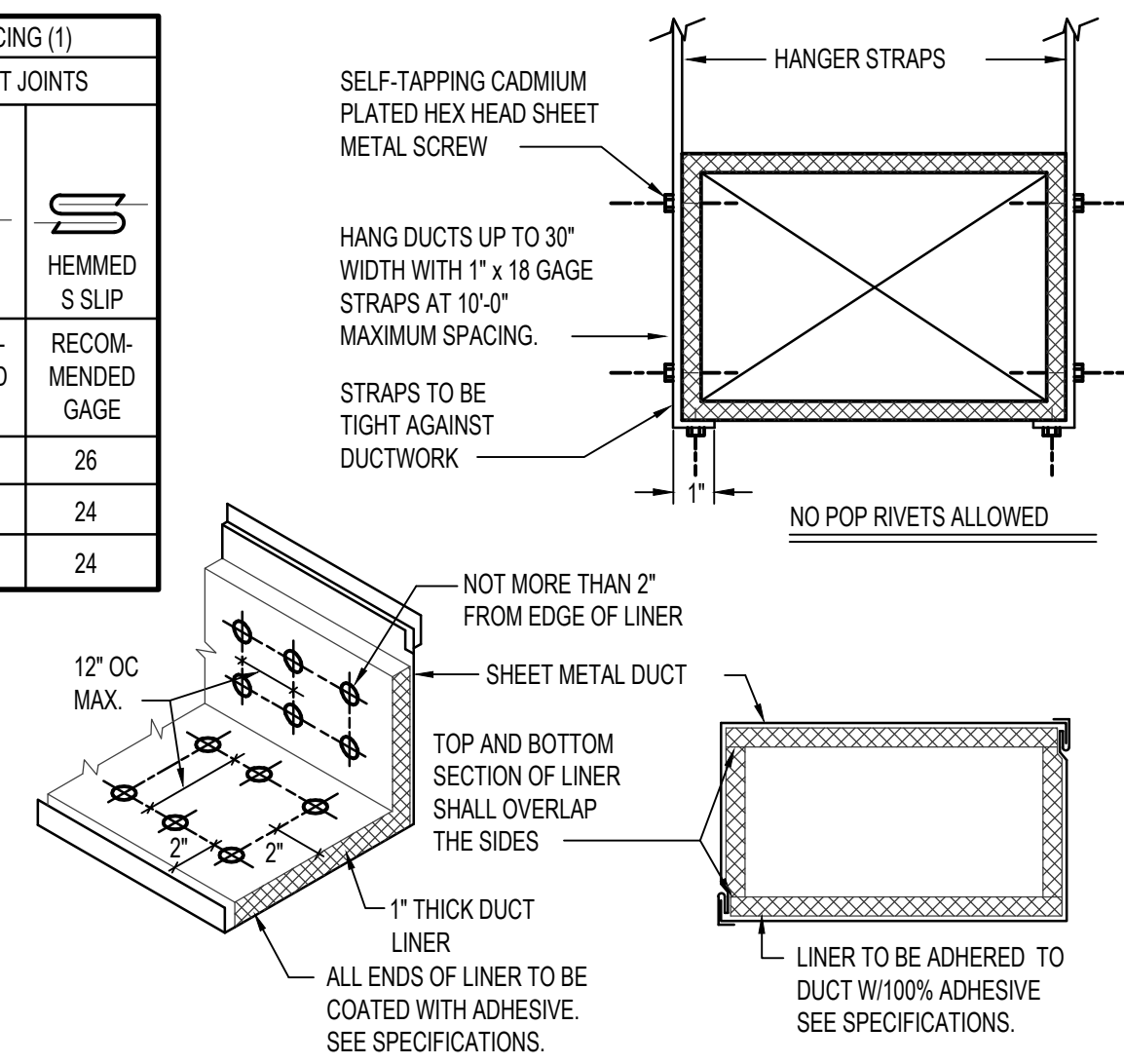
DIMENSION OF LONGEST SIDE, INCHES	SHEET METAL GAGE (ALL FOUR SIDES)	MINIMUM REINFORCING ANGLE SIZE AND MAXIMUM LONGITUDINAL SPACING BETWEEN TRANSVERSE JOINTS &/OR INTERMEDIATE REINFORCING	AT JOINTS	
			DRIVE SLIP	HEMMED S SLIP
UP THRU 12	26	NONE REQUIRED	26	26
13 - 18	24	NONE REQUIRED	24	24
19 - 30	24	1"x1/8" @ 60 IN	-	24

(1) TRANSVERSE REINFORCING SIZE IS DETERMINED BY DIMENSION OF SIDE TO WHICH ANGLE IS APPLIED.

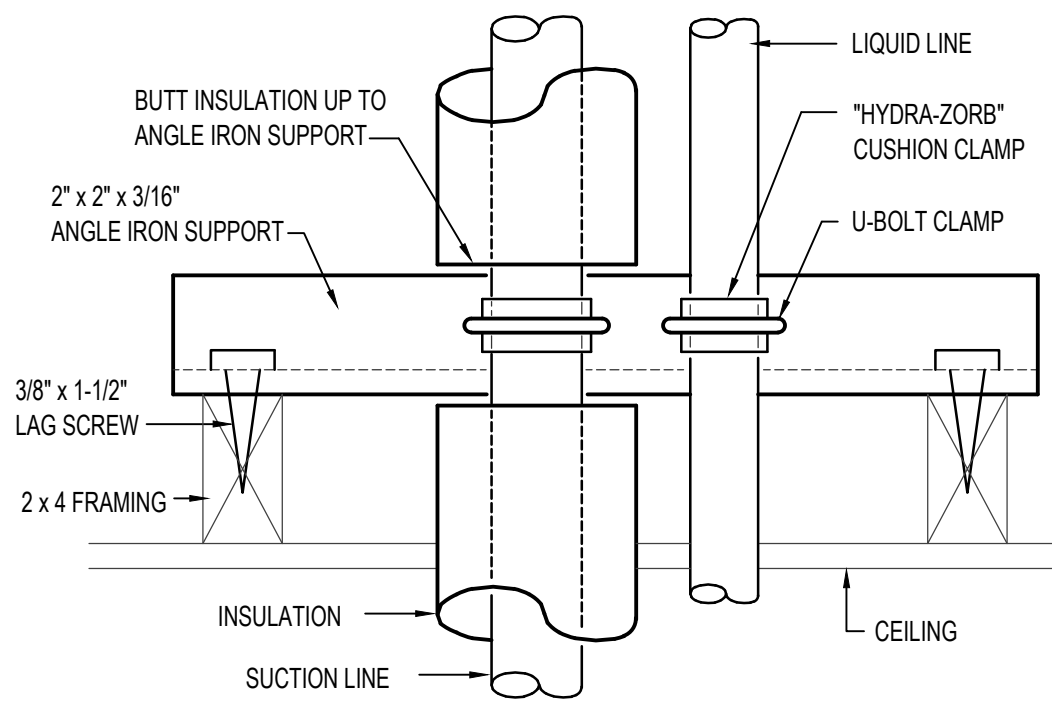
METAL FASTENERS - O-MARK INSULPINS, DURO DYNE FASTENERS OR GRIPNAILS.

GRIP NAILS SHALL BE INSTALLED BY GRIPNAIL AIR HAMMER OR BY AUTOMATIC FASTENER EQUIP.

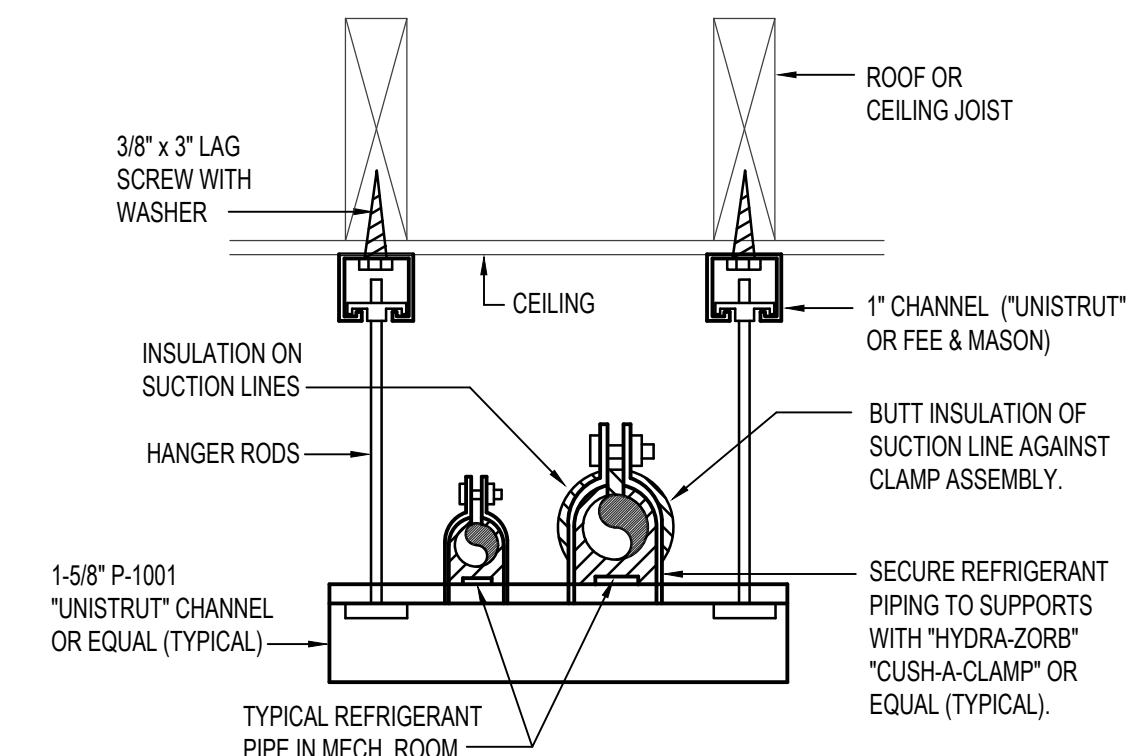
ENDS OF LINER SHALL BE BUTTED FIRMLY TOGETHER



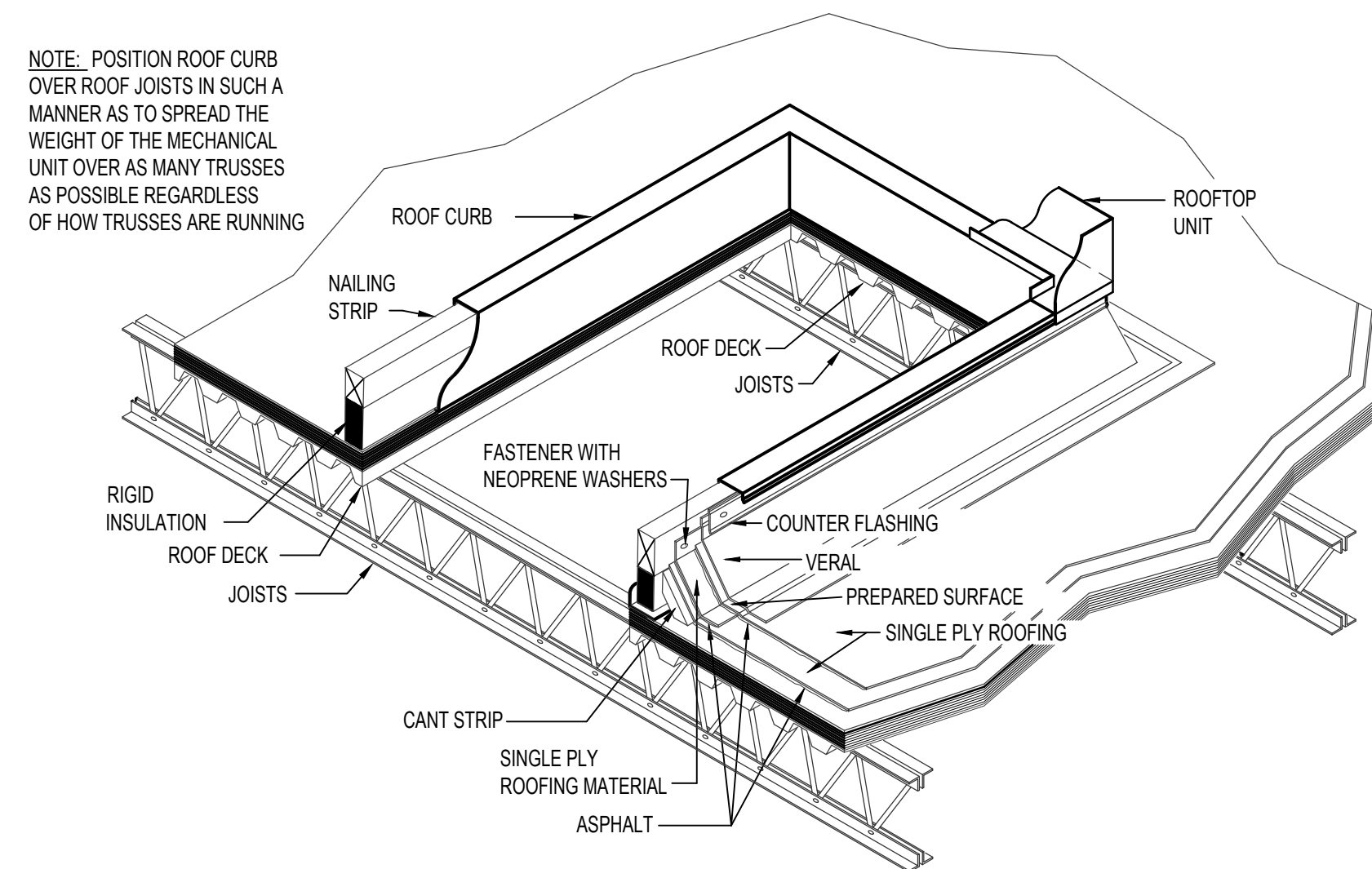
DUCT CONSTRUCTION AND HANGER DETAIL
NO SCALE



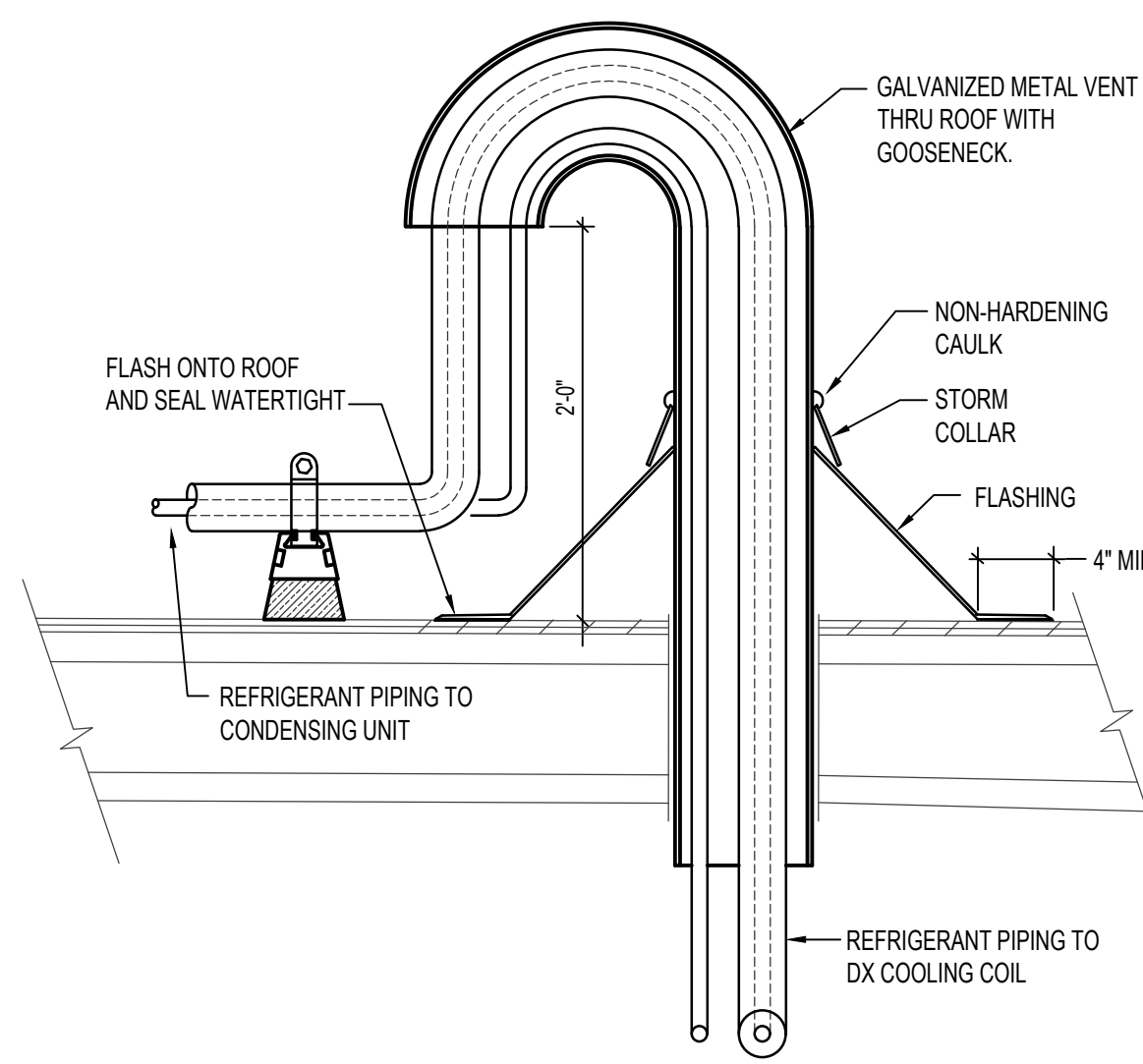
REFRIG. PIPING SUPPORT AT CEILING
NO SCALE



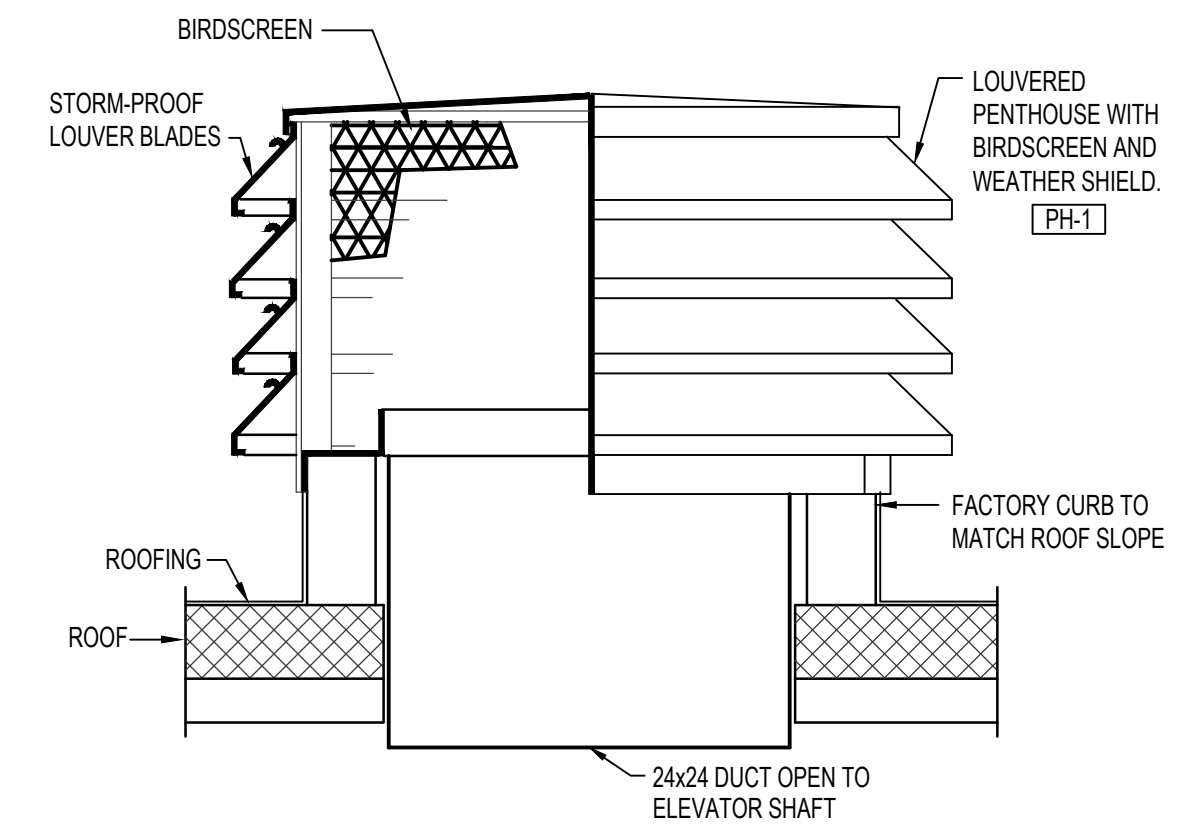
SUSPENDED PIPE SUPPORT
NO SCALE



TYPICAL ROOFTOP MOUNTING DETAIL
NO SCALE



REFR. PIPING THRU ROOF DETAIL
NO SCALE



ELEVATOR SHAFT PENTHOUSE DETAIL
NO SCALE

05.06.22

DATE

A NEW HOTEL:
HOTEL
TWIN FALLS, ID.
MECHANICAL DETAILS

Laughlin Ricks Architecture
—architecture/planning—
134 3RD AVE. E. * Twin Falls, Idaho 83301
(208) 736-8050 Fax: (208) 733-0950

Engineered Systems Associates
1355 EAST CENTER
POCATELLO, IDAHO 83201
PHONE: (208) 233-0501
FAX: (208) 233-0529
EMAIL: esa@engsystems.com
ESA JOB NUMBER: 22017

PROFESSIONAL ENGINEER
DAVID L. HANSEN
MAY 06, 2022
STATE OF IDAHO

DATE: 5/06/2022
DR: [Signature]
DLH: [Signature]
Checked

M3-0