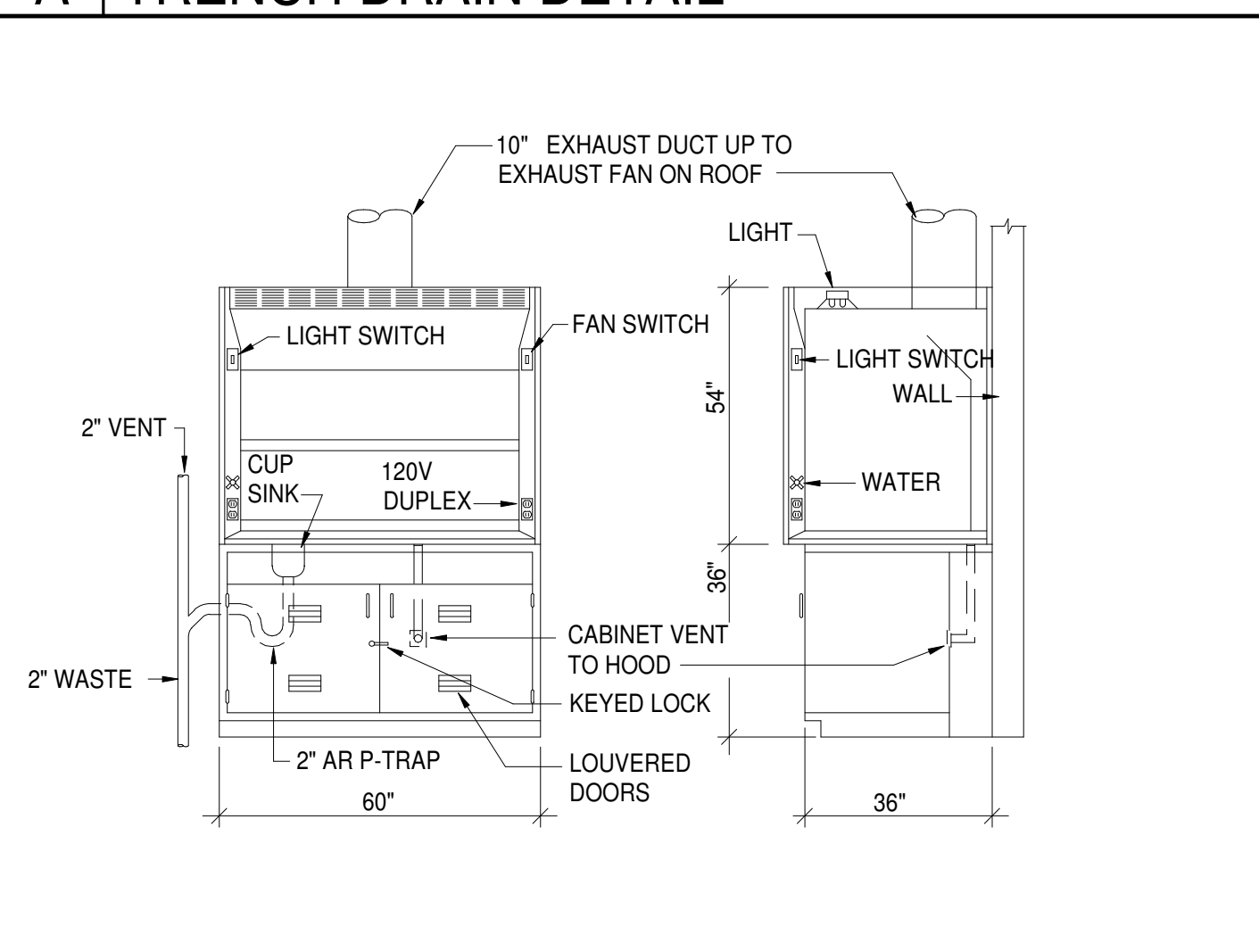
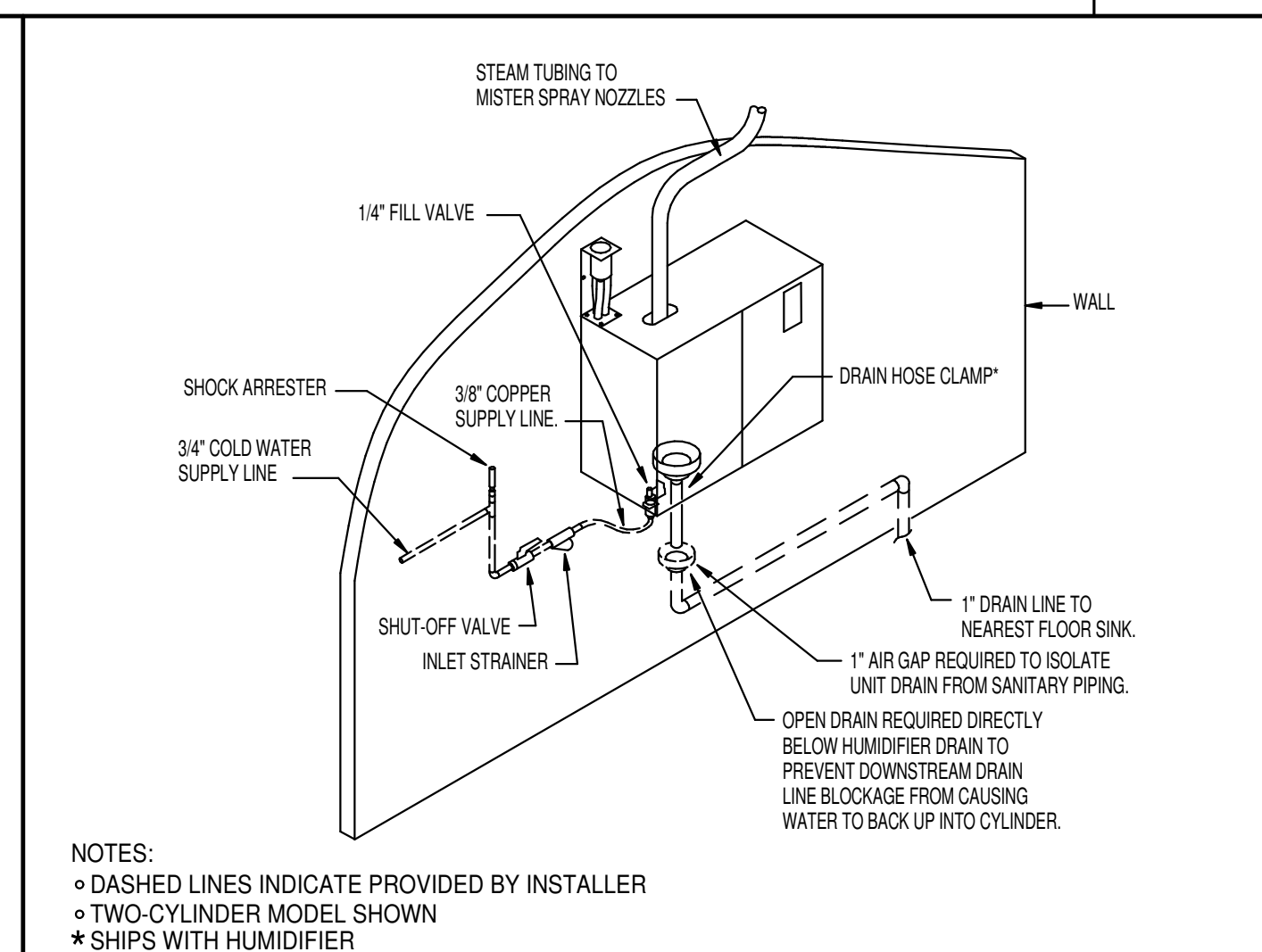


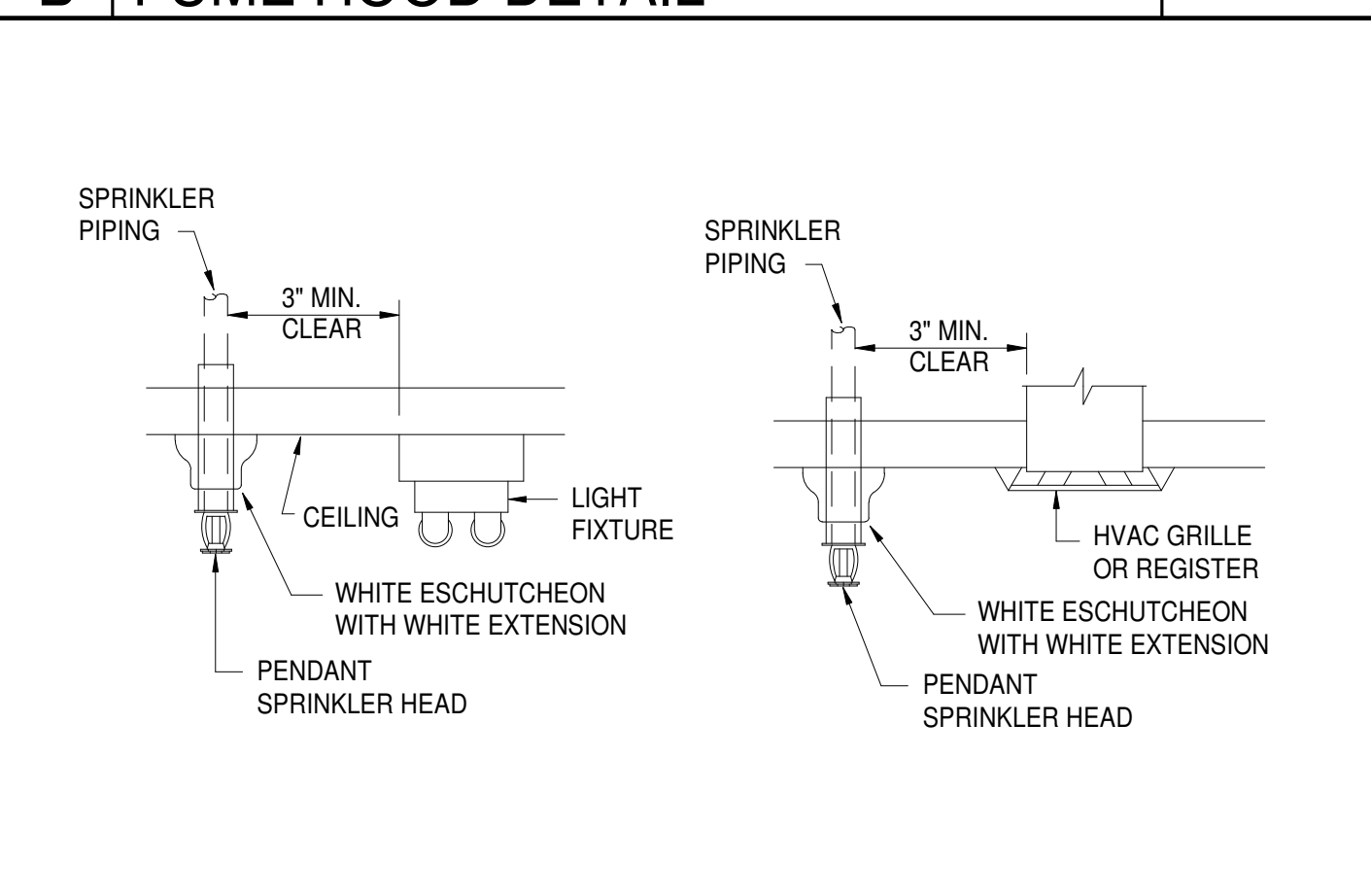
A | TRENCH DRAIN DETAIL NO SCALE



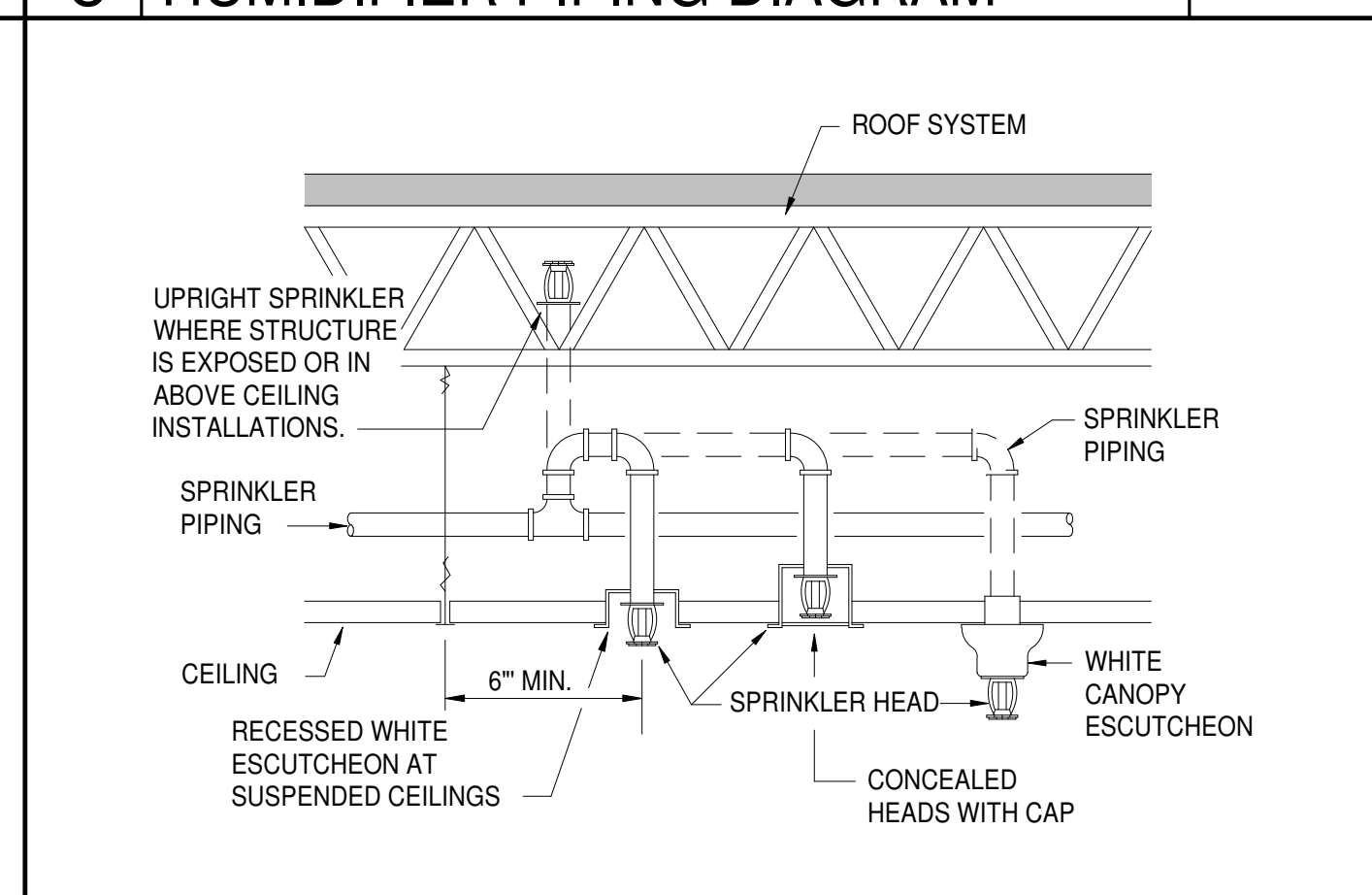
B | FUME HOOD DETAIL NO SCALE



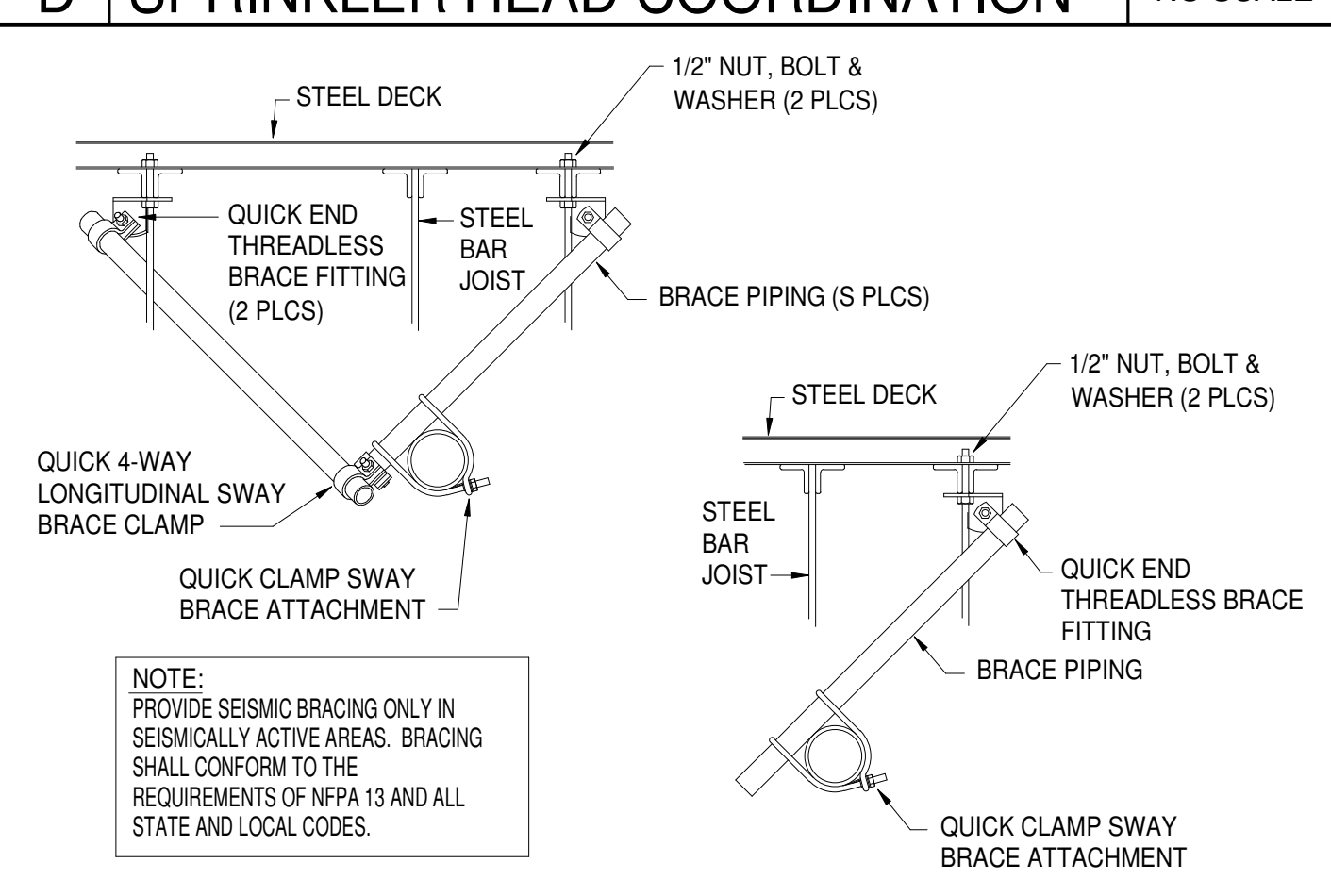
C | HUMIDIFIER PIPING DIAGRAM NO SCALE



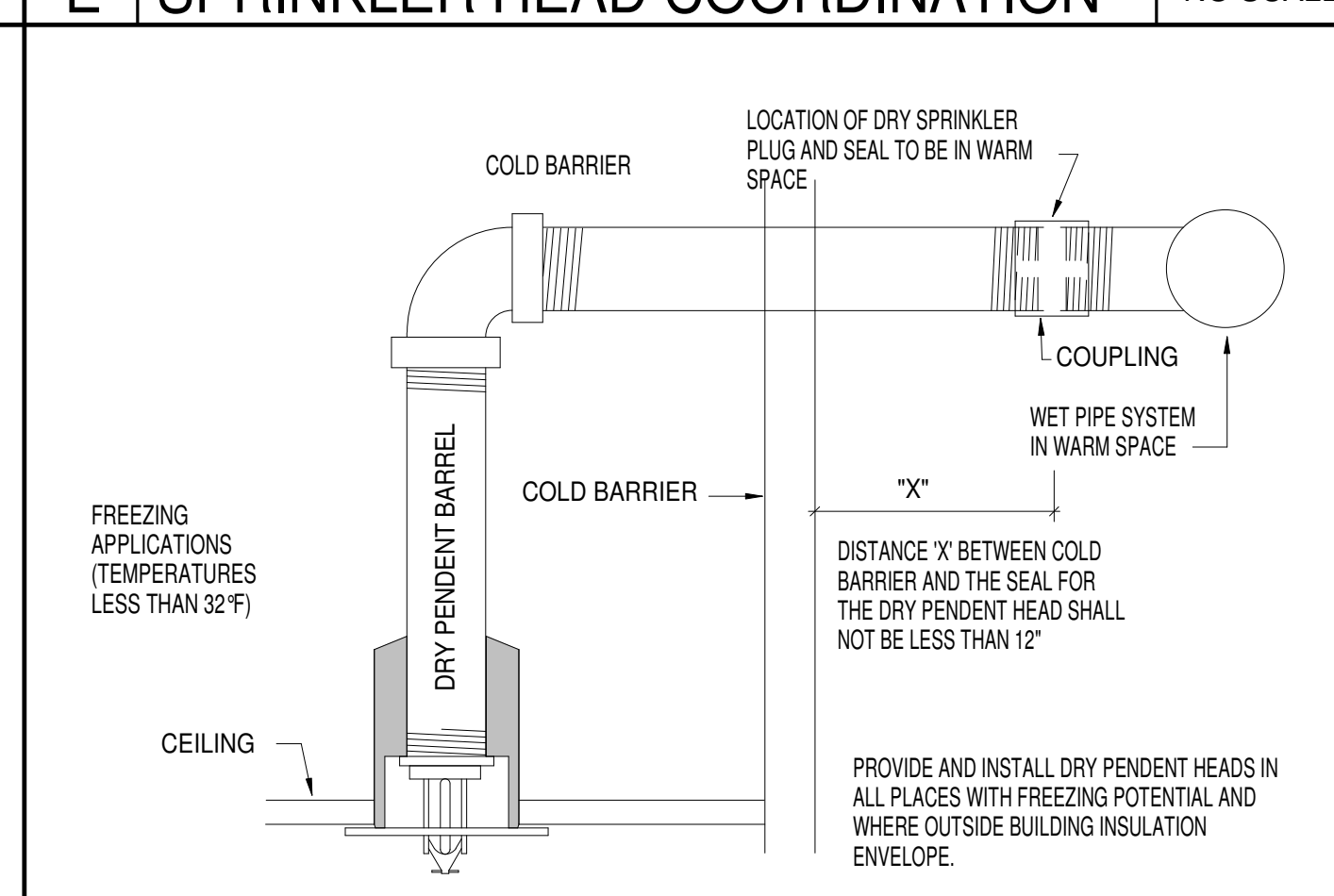
D | SPRINKLER HEAD COORDINATION NO SCALE



E | SPRINKLER HEAD COORDINATION NO SCALE



F | SEISMIC BRACE DETAILS NO SCALE



G | DRY PENDENT HEAD DETAIL NO SCALE

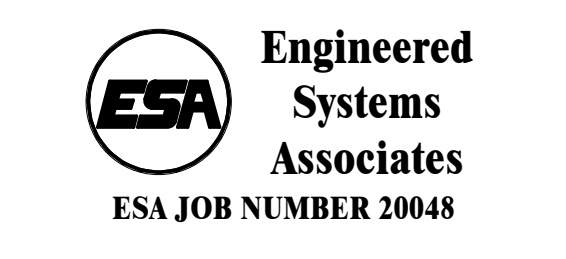
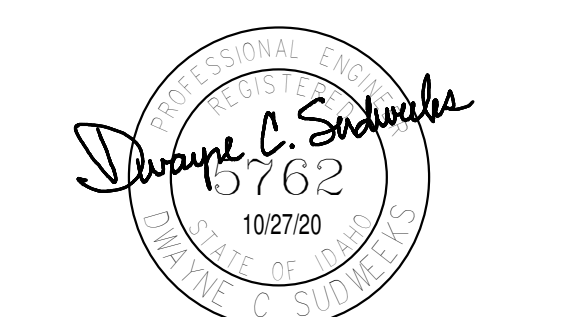
FIXTURE SCHEDULE					
SYM.	DESCRIPTION	HOT	COLD	WASTE	VENT
AC-1	WALL MOUNTED AIR OUTLET WITH HOSE REEL - MILTON MODEL 2780-500 WITH STEEL DUAL ARM AUTO-RETRACTABLE AIR HOSE (50') M-STYLE QUICK CONNECT HOSE COUPLING WITH 1/2" SUPPLY LINE AND SHUT-OFF VALVE. REFER TO DETAIL FP301 FOR TYPICAL INSTALLATION. WALL UNITS AND CEILING UNITS MOUNTED SIMILARLY.				
AC-2	AIR OUTLET - MILTON M-STYLE QUICK CONNECT HOSE COUPLING WITH 1/2" SUPPLY LINE AND SHUT-OFF VALVE. REFER TO DETAIL FP301 FOR TYPICAL INSTALLATION.				
AC-3	CEILING MOUNTED AIR OUTLET WITH HOSE REEL - MILTON MODEL 2780-500 WITH STEEL DUAL ARM AUTO-RETRACTABLE AIR HOSE (50') M-STYLE QUICK CONNECT HOSE COUPLING WITH 1/2" SUPPLY LINE AND SHUT-OFF VALVE. REFER TO DETAIL FP301 FOR TYPICAL INSTALLATION. SUPPORT FROM ROOF STRUCTURE AT ELEVATIONS CALLED OUT ON PLANS.				
CI-1	AIR COMPRESSOR AND STORAGE TANK - QUINCY MODEL QT-10 DUPLEX COMPRESSOR WITH 120 GALLON HORIZONTAL STORAGE TANK, 10 HP MOTOR (208/200V), 35 SCFM WITH 100 psi PRESSURE. PROVIDE MATCHING AIR DRYER AND OIL SEPARATOR WITH COMPRESSOR.				
CB-1	CATCH BASIN AND TRENCH DRAIN - J&R CONCRETE PRODUCTS MODEL CB2424-2424/24 HIGH CONCRETE CATCH BASIN COMPLETE WITH TRAFFIC RATED GRATE. PROVIDE 4" DRAIN LINE BETWEEN CATCH BASIN AND SOLIDS INTERCEPTOR. REFER TO DETAIL FP301 FOR TYPICAL CONSTRUCTION. INSTALL WITH GRATE FLUSH WITH FINISHED GRADE.			4"	
DF-1	SINGLE DRINKING FOUNTAIN - MURDOCK MODEL A171-40SF-8P15 WITH BOTTLE FILLER STATION AND FILTER, FRONT PUSHBUTTON OPERATOR, 1/2" STOP, 1-1/2" P-TRAP, AND FLEX-GUARD SAFETY BUBBLER.		1/2"	1-1/2"	1-1/2"
DF-2	BLUE LEVEL DRINKING FOUNTAIN - MURDOCK MODEL A172-8-UQ-SO-8F12-3CD WITH SINGLE BOTTLE FILLER STATION AND FILTER, FRONT PUSHBUTTON OPERATOR, 1/2" STOP, 1-1/2" P-TRAP, AND FLEX-GUARD SAFETY BUBBLER.		1/2"	1-1/2"	1-1/2"
ES-1	EMERGENCY SHOWER AND EYEWASH - HAWS MODEL 8123P0P WITH SELF-CLOSING VALVE, 1-1/4" CW AND 1/2" HW SUPPLIES, AND REMOTE NYLON PULL ROPE. EYE WASH BASIN WITH 1" DIA. PLASTIC RECEPTOR WITH STAY-OPEN VALVE AND TEMPERING VALVE. SECURE PIPING TO WALL. ALL EXPOSED PIPING TO BE CHROME OR STAINLESS STEEL. REFER TO DETAIL GP301.	1/2"	1-1/4"		
EW-1	EMERGENCY EYEWASH STATION - HAWS 7260BT WITH PUSH-OPEN BALL VALVE. EYEWASH BOWL, 1/2" HOT AND COLD WATER SUPPLY LINES WITH TEMPERING VALVE. SECURE TO WALL. RUN 1-1/2" WASTE LINE TO ADJACENT SERVICE SINK. REFER TO DETAIL GP301.	1/2"	1/2"		
FD-1	2" FLOOR DRAIN - ZURN Z-415-N WITH 5" DIA. NICKEL-BRONZE STRAINER AND 2" DEEP SEAL P-TRAP. RUN 1/2" COLD WATER LINE TO TRAP PRIMER. REFER TO DETAIL MP301 FOR TYPICAL INSTALLATION.		1/2"	2"	2"
FS-1	FLOOR SINK - ZURN Z-1800-3 WITH 3/4" GRATE, WHITE ENAMEL FINISH, DOME STRAINER AND 4" DEEP SEAL P-TRAP. RUN 1/2" COLD WATER LINE TO TRAP PRIMER.		1/2"	4"	2"
FH-1	5'-0" FUME HOOD - LABCONCO PROTECTOR XSTREAM LABORATORY HOOD COMPLETE WITH MATCHING STORAGE CABINET BASE, ROUGH-IN AND CONNECT 1/2" COLD WATER AND 1/2" WASTE AND VENT LINES. FIELD VERY EXACT ROUGH-IN LOCATIONS WITH EQUIPMENT SUPPLIED. INSTALL AS PER MANUFACTURER'S RECOMMENDATIONS.		1/2"	1-1/2"	1-1/2"
HB-1	WALL MOUNTED HOSE REEL HOSE BIBB - T&S SHR-242-12 HOSE REEL WITH 50'-0" 3/8" DIA. HOSE AND FRONT TRIGGER WATER GUN WITH 1/2" SUPPLY LINE AND SHUT-OFF VALVE. REFER TO DETAIL FP301 FOR TYPICAL INSTALLATION. WALL UNITS AND CEILING UNITS MOUNTED SIMILARLY.			3/4"	
HB-2	EXTERIOR HOSE BIBB - ZURN Z-1310 'ECOLOTRON' WITH REMOVABLE HANDLE AND VACUUM BREAKER. LENGTH TO SUIT WALL THICKNESS. REFER TO DETAIL DP301 FOR TYPICAL INSTALLATION.			3/4"	
HB-3	INTERIOR HOSE BIBB - INTERIOR HOSE BIBB - PRIER MODEL C25N5P-50 WITH ANTI-SIPHON ANGLED SILL FAUCET WITH HOSE THREAD, VACUUM BREAKER, AND LOOSE KEY HANDLE. LOCATED ON WALL IN ACCESSIBLE LOCATION.		1/2"		
HB-4	INTERIOR HOSE BIBB - INTERIOR HOSE BIBB - PRIER MODEL C25N5P-50 WITH ANTI-SIPHON ANGLED SILL FAUCET WITH HOSE THREAD, VACUUM BREAKER, AND LOOSE KEY HANDLE. LOCATED ON WALL IN ACCESSIBLE LOCATION AT 5'-0" ABOVE FINISHED FLOOR.		1/2"		
JS-1	FLOOR MOUNTED SERVICE SINK - KOHLER K-6710 'WHITBY' WITH K-8840 WIRE RIM GUARD, K-8142 PERFORATED STRAINER AND 2" DEEP SEAL P-TRAP. MOUNT T&S B-0674-BSTP FAUCET ON WALL COMPLETE WITH VACUUM BREAKER AND PAIL HOOK. PROVIDE 5'-0" RUBBER HOSE AND WALL CLIP.	1/2"	1/2"	2"	2"
L-1	COUNTER MOUNTED LAVATORY - KOHLER K-2605-4-0 'FARMINGTON' WITH CHICAGO 3P7-XCP PERFORATED STRAINER, MOEN 8413 LEVER HANDLE FAUCET, 1/2" STOP, AND 1-1/2" P-TRAP. PROVIDE INSULATING JACKET ON WASTE AND HOT WATER LINES.	1/2"	1/2"	1-1/2"	1-1/2"

FIXTURE SCHEDULE					
SYM.	DESCRIPTION	HOT	COLD	WASTE	VENT
OF-1	2" OVERFLOW DRAIN - JAY R. SMITH MODEL 1080 WITH UNDER DECK CLAMP, DOME STRAINER, 2" HIGH WATER DAM, AND 3" DRAIN LINE CONNECTION. REFER TO DETAIL LP302 FOR TYPICAL INSTALLATION.			3"	
PT-1	PLASTER TRAP - CANPLAS 3811A02 ENDUR SOLIDS INTERCEPTOR WITH 2" CONNECTIONS AND REMOVABLE BRACKET ASSEMBLY. PROVIDE 2" PLUMBING VENT IN ADJACENT WALL. REFER TO DETAIL HP301.			2"	2"
RD-1	2" ROOF DRAIN - JAY R. SMITH MODEL 1010 WITH UNDER DECK CLAMP, DOME STRAINER, AND 3" DRAIN LINE CONNECTION. REFER TO DETAIL LP301 FOR TYPICAL INSTALLATION.			3"	
S-1	SINGLE COMPARTMENT SINK - ELKAY MODEL LR-2219 STAINLESS STEEL SINK WITH T&S B-1123 DECK MOUNTED HAIRC FAUCET WITH LEVER HANDLE CONTROL, LK-89 HEAVY DUTY STRAINER, AND 1/2" STOP.	1/2"	1/2"	1-1/2"	1-1/2"
S-2	UTILITY SINK - FIAT F-1 WALL MOUNTED UTILITY SINK, T&S B-0665-BSTRM WALL MOUNTED FAUCET COMPLETE WITH BUCKET PAIL, WALL BRACKET, VACUUM BREAKER, AND ELKAY LK98 HEAVY GAUGE STRAINER. SECURE TO WALL WITH WALL CARRIER. ROUGH-IN AND CONNECT 1/2" HOT AND COLD WATER LINES WITH SHUT-OFF VALVES AND 2" WASTE LINE WITH P-TRAP.	1/2"	1/2"	2"	2"
TD-1	72" TRENCH DRAIN - ZURN Z1000-12 WIDE TRENCH DRAIN COMPLETE WITH PRE-SLOPED SECTIONS AS REQUIRED FOR ENTIRE LENGTH. TO BE COMPLETE WITH END CAPS AND 4" END BOTTOM OUTLET CONNECTION, AND CAST IRON TRAFFIC RATED GRATE. REFER TO DETAIL ON THIS SHEET FOR TYPICAL INSTALLATION. SLOPE SECTIONS TOWARD CENTER AS INDICATED ON FOUNDATION PLAN.				
TD-2	42" TRENCH DRAIN - ZURN Z1000-12 WIDE TRENCH DRAIN COMPLETE WITH PRE-SLOPED SECTIONS AS REQUIRED FOR ENTIRE LENGTH. TO BE COMPLETE WITH END CAPS AND 4" END BOTTOM OUTLET CONNECTION, AND CAST IRON TRAFFIC RATED GRATE. REFER TO DETAIL ON THIS SHEET FOR TYPICAL INSTALLATION. SLOPE SECTIONS TOWARD END AS INDICATED ON FOUNDATION PLAN.				
TP-1	TRAP PRIMER - ZURN Z-1020XL-6 TRAP PRIMER SYSTEM. MOUNT RECESSED IN WALL WITH COVER. RUN 1/2" COLD WATER LINE TO EACH TRAP AS SHOWN ON FLOOR PLANS. REFER TO DETAIL MP301 FOR INSTALLATION.			3/4"	
TP-2	TRAP PRIMER - ZURN Z-1020XL TRAP PRIMER SYSTEM. MOUNT RECESSED IN WALL WITH COVER. RUN 1/2" COLD WATER LINE TO EACH TRAP AS SHOWN ON FLOOR PLANS. REFER TO DETAIL GP301 FOR INSTALLATION.			1/2"	
U-1	URINAL - KOHLER MODEL 4884-1 'FRESHMAN' WITH SLOAN ROYAL 111-1-6 FLUSH VALVE WITH SLOAN EBV-89-M SIDE MOUNT OPERATOR, AND WALL CARRIER. SEE ARCHITECTURAL DRAWINGS FOR MOUNTING HEIGHT.			3/4"	
U-2	ADA URINAL - KOHLER MODEL K-6016-ET 'DEXTER' WITH SLOAN ROYAL 111-1-6 FLUSH VALVE WITH SLOAN EBV-89-M SIDE MOUNT OPERATOR, AND WALL CARRIER. SEE ARCHITECTURAL DRAWINGS FOR MOUNTING HEIGHT.			3/4"	
WB-1	WASH BASIN - WILLOUGHBY INDUSTRIES MODEL WELS-2280-WALL-1CC THREE STATION LAVATORY SYSTEM WITH HEAVY-DUTY STAINLESS STEEL GRATE AND REMOVABLE SHROUD WITH SECURITY GREENS, COLOR BY ARCHITECT. PROVIDE SINGLE TEMPERED LINE WITH PRE-ASSEMBLED MIXING VALVE AND (3) SLOAN MODEL EAF-150 BATTERY POWERED DECK-MOUNTED FAUCET WITH INFRARED SENSORS.		3/4"	3/4"	2"
WC-1	ADA WALL MOUNTED WATER CLOSET - KOHLER K-4325-SS-0 'KINGSTON' WITH ELONGATED BOWL, K-4670C OPEN FRONT SEAT, SLOAN ROYAL 111-1-6 FLUSH VALVE WITH SLOAN EBV-89-M SIDE MOUNT OPERATOR, AND WALL CARRIER. MOUNT AT ADA HEIGHT.			1"	4"
WC-2	WALL MOUNTED WATER CLOSET - KOHLER K-4325-SS-0 'KINGSTON' WITH ELONGATED BOWL, K-4670C OPEN FRONT SEAT, SLOAN ROYAL 111-1-6 FLUSH VALVE WITH SLOAN EBV-89-M SIDE MOUNT OPERATOR, AND WALL CARRIER.			1"	4"
WF-1	2" WALL FLANGE - JAY R. SMITH MODEL 1770 WITH ROUGH-BRONZE FINISH AND WALL FLANGE. MOUNT AS HIGH AS POSSIBLE.			3"	



360 west aspen avenue
salt lake city, utah 84101
801 532 4422

UNLESS A PROFESSIONAL SEAL WITH SIGNATURE AND DATE IS AFFIXED, THIS DOCUMENT IS PRELIMINARY AND IS NOT INTENDED FOR CONSTRUCTION, RECORDING PURPOSES, OR IMPLEMENTATION.



THE DESIGNS SHOWN AND DESCRIBED HEREIN INCLUDING ALL TECHNICAL DRAWINGS, GRAPHIC REPRESENTATIONS AND MODELS THEREOF, ARE PROPRIETARY AND CANNOT BE COPIED, DUPLICATED, OR COMMERCIALLY EXPLOITED IN WHOLE OR IN PART WITHOUT THE SOLE AND EXPRESS WRITTEN PERMISSION FROM METHOD STUDIO, INC.

project:
BYUI
Engineering
Technology
Center (ETC)

project#: 20.0220
byuidaho project#: 12005
date: oct. 27, 2020

revisions:

title:
PLUMBING
DETAILS AND
SCHEDULES

sheet:
P302
100% construction
documents