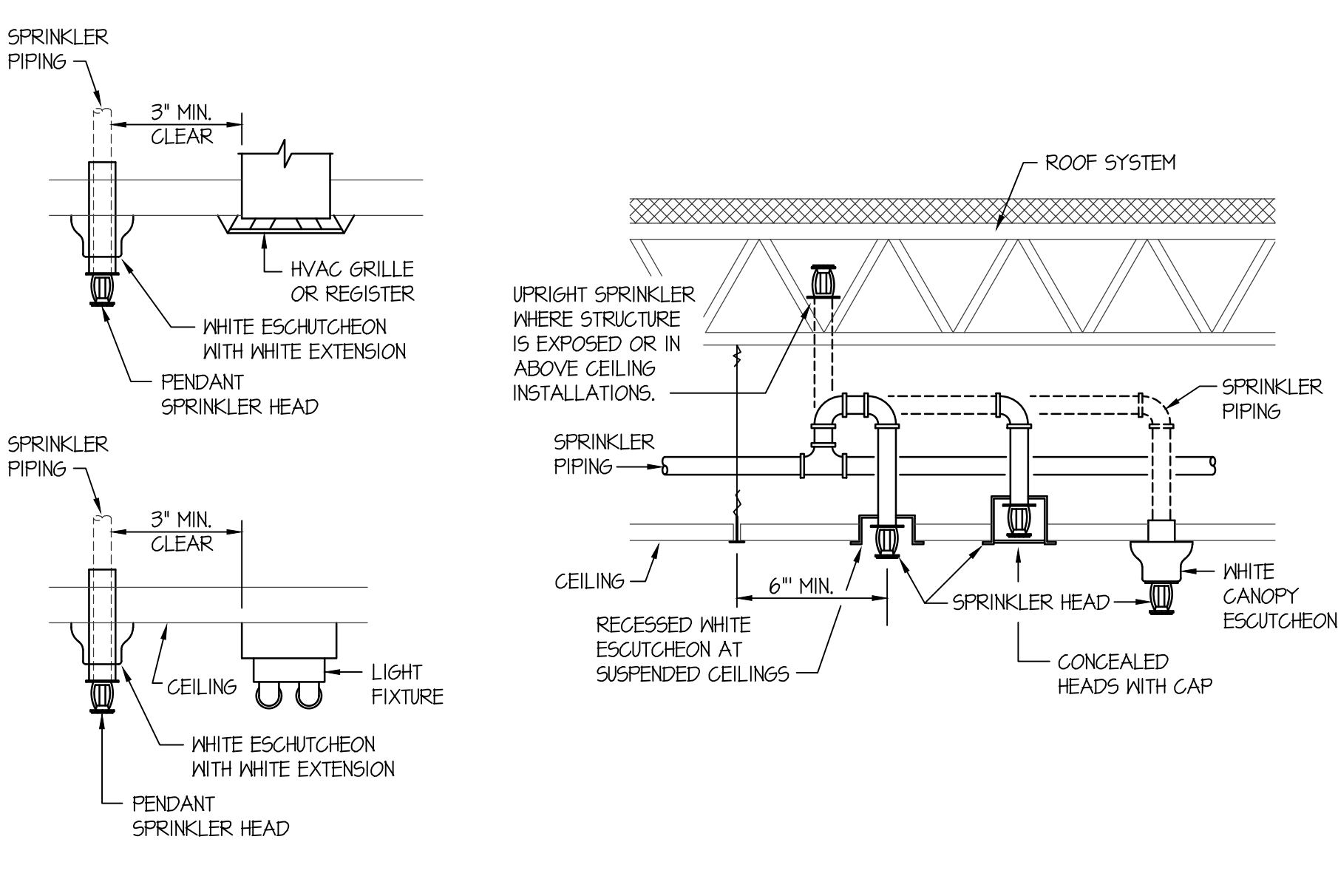


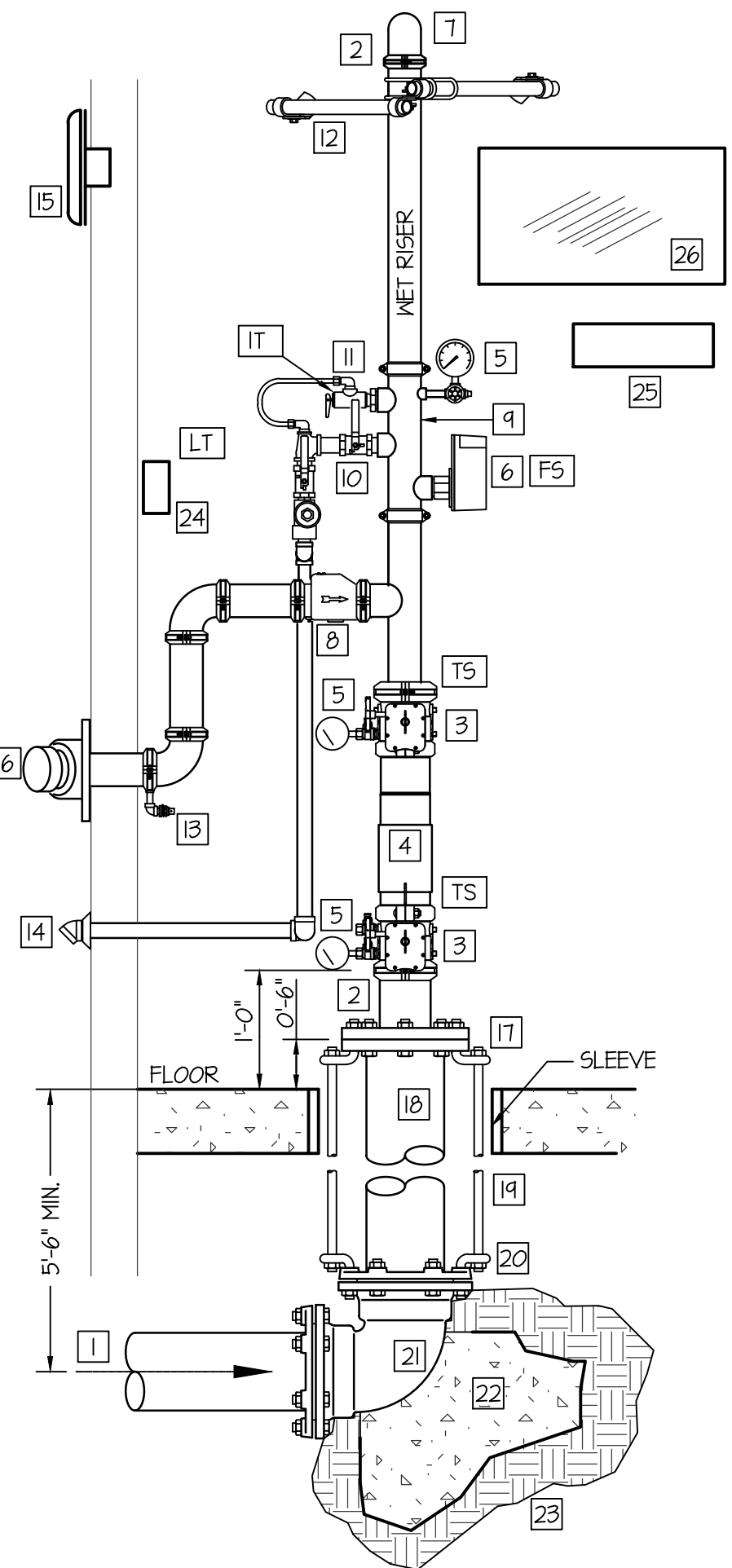
A DRY PENDENT HEAD INSTALLATION

NO SCALE



B SPRINKLER HEAD COORDINATE DETAILS

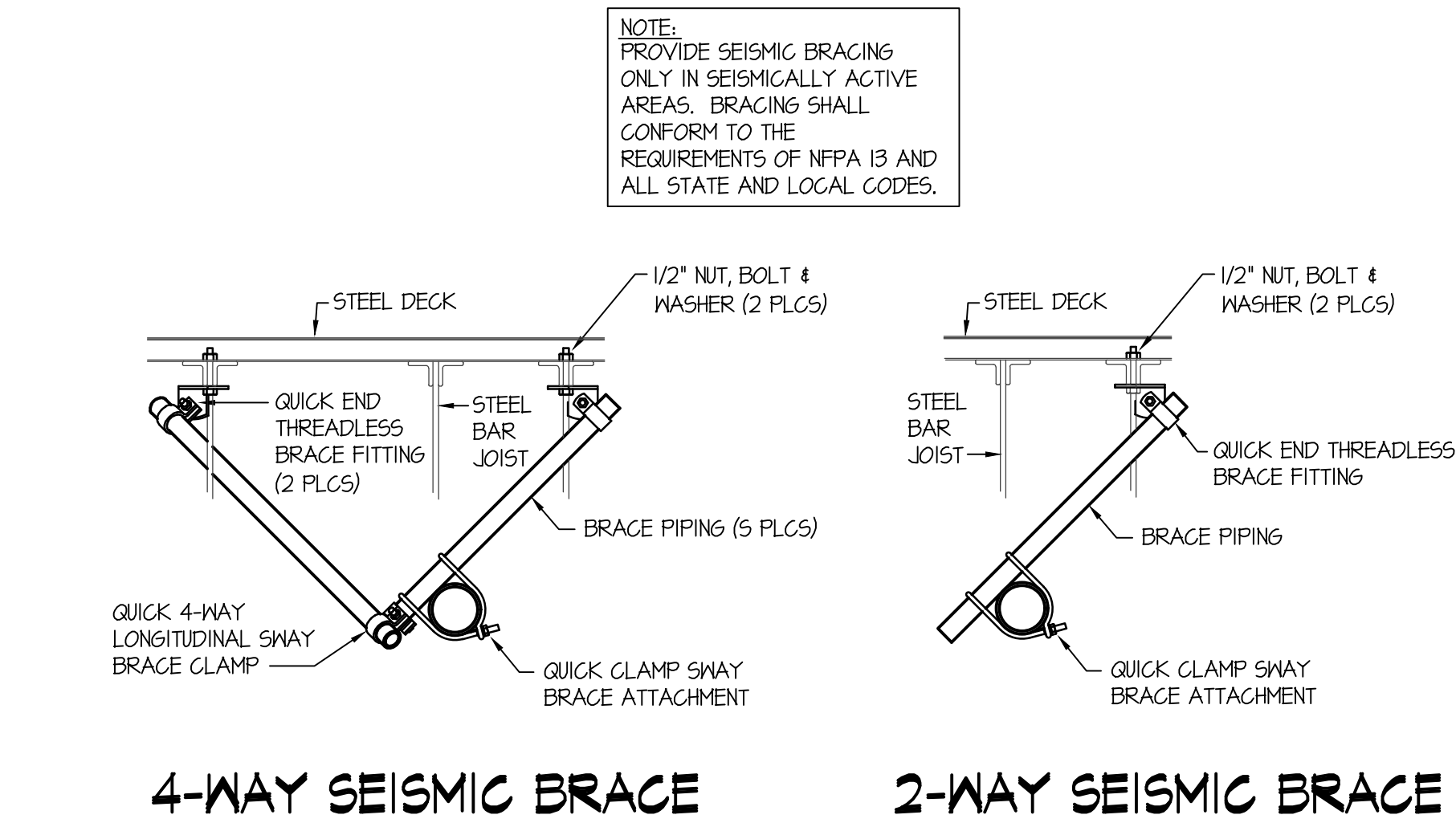
NO SCALE



NOTE:
 PROVIDE SLEEVES WHERE PIPING PENETRATES BUILDING AT FLOOR AND WALLS. SEAL AROUND PENETRATION WITH FLEXIBLE MASTIC AT FLOOR. PROVIDE 2" ANNUAL SPACE AROUND AND RESTRAIN FLANGE SPIGOT.

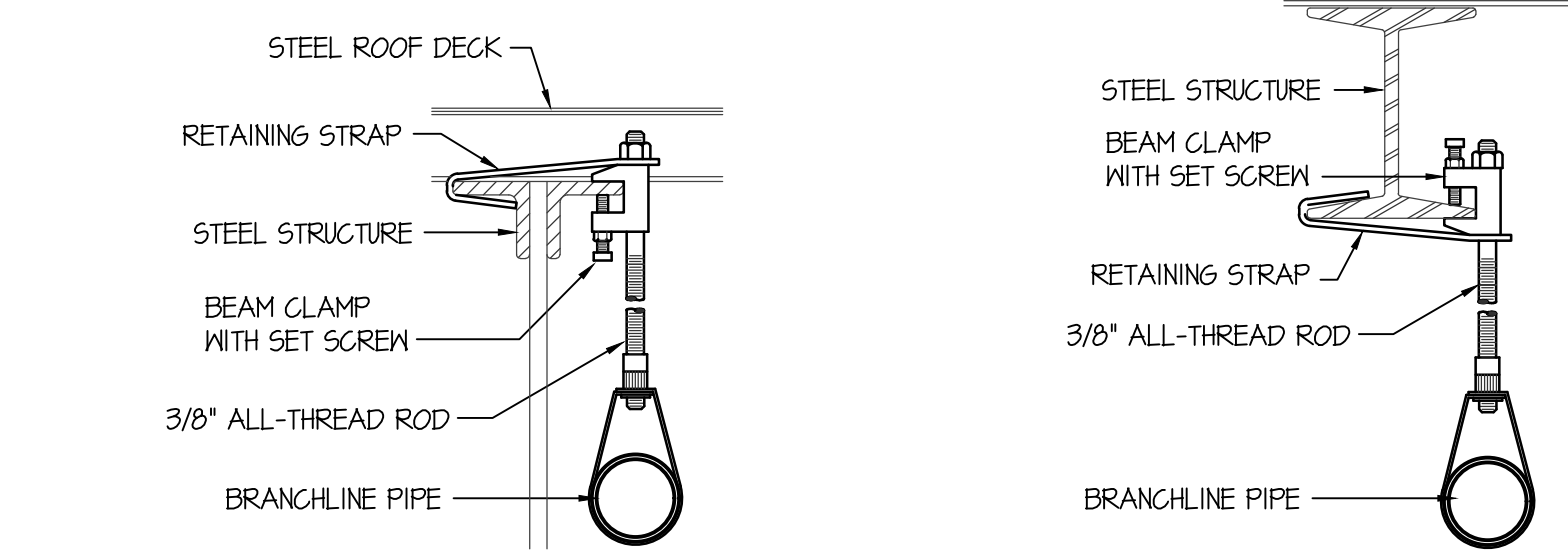
E FIRE SPRINKLER RISER AND ALARM VALVE DETAIL

NO SCALE



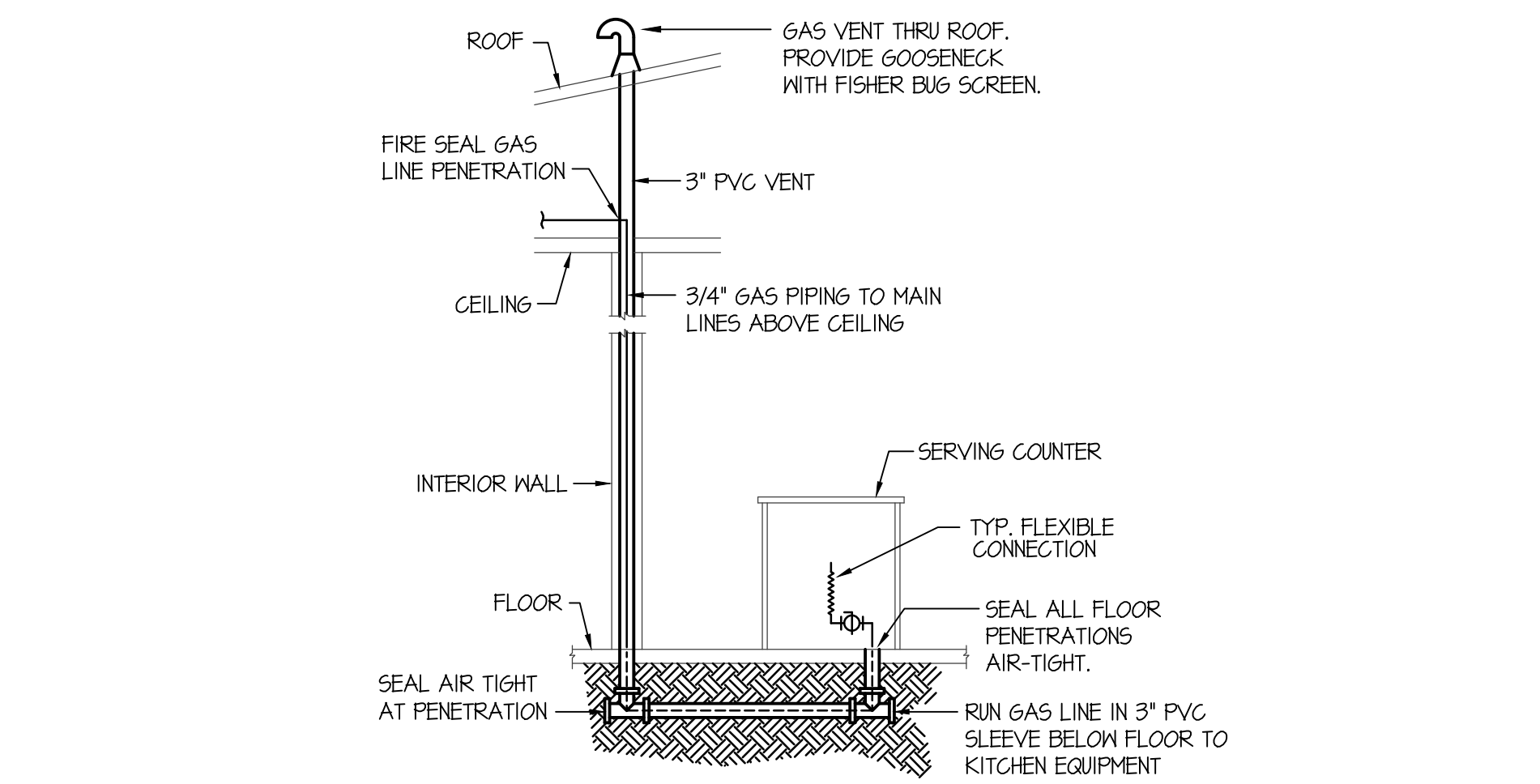
C SEISMIC BRACING DETAIL

NO SCALE



D PIPE HANGER DETAILS

NO SCALE



F GAS VENT THRU ROOF DETAIL

NO SCALE

- WET RISER DETAIL NOTES**
- 1 WATER SUPPLY FROM CITY WATER MAIN. USE CLASS 53 DUCTILE IRON WHEN CROSSING UNDER BLDG FOUNDATION.
 - 2 USE FLEXIBLE GROOVED PIPE COUPLING ONLY IF SEISMIC BRACING IS REQUIRED. SEE NOTE #12.
 - 3 GROOVED BUTTERFLY VALVE WITH INTEGRAL SUPERVISORY SWITCH.
 - 4 DOUBLE CHECK BACKFLOW PREVENTER WITH RELATED TRIM AND GAUGES.
 - 5 3-1/2" DIAMETER WATER GAUGE WITH 1/4" TEST AND ISOLATION VALVE.
 - 6 VANE TYPE WATER FLOW SWITCH.
 - 7 SUPPLY TO WET PIPE FIRE SPRINKLER SYSTEM.
 - 8 SWING CHECK VALVE.
 - 9 RISER MANIFOLD - INCLUDES PRESSURE GAUGE, FLOW SWITCH, PRESSURE RELIEF VALVE, AND TEST AND MAIN DRAIN DEVICE.
 - 10 INSPECTOR'S TEST & MAIN DRAIN DEVICE [IT] PIPE TO OUTSIDE.
 - 11 PRESSURE RELIEF VALVE SHALL BE REQUIRED SET AT 175 PSI-PIPED TO DISCHARGE OUTSIDE.
 - 12 SEISMIC BRACING REQUIRED IN SEISMIC DESIGN CATEGORY C, D, E, F.
 - 13 1/2" AUTOMATIC BALL DRIP VALVE.
 - 14 PIPE TO DRAIN OUTSIDE.
 - 15 WEATHERPROOF ELECTRIC BELL OR HORN AND STROBE (OUTSIDE).
 - 16 OUT TO FIRE DEPARTMENT CONNECTION WITH GALVANIZED SCH 40 PIPING- PROVIDE BALL DRIP WHEN TRAPPING PIPE. SIZE CONNECTION AS REQUIRED. NOTE: PIPE FDG TO REMOTE LOCATION ON STAKE BUILDINGS AND WHEN REQUIRED BY FIRE MARSHAL.
 - 17 GALVANIZED FLANGE AND SPOOL PIECE
 - 18 CLASS 53 D.I. FLANGED SPIGOT
 - 19 3/4" A.T.R.
 - 20 3/4" BENT EYE BOLT
 - 21 MECHANICAL JOINT 90° ELL
 - 22 CONCRETE THRUST BLOCK WITH 5 SQ. FEET BEARING AREA
 - 23 UNDISTURBED EARTH
 - 24 LOW TEMPERATURE SENSOR - MOUNTED ON WALL - THIS SWITCH IS PROVIDED UNDER DIVISION 28 OF THE SPECIFICATIONS.
 - 25 SPARE HEAD CABINET WITH SPARE SPRINKLER HEADS AND WRENCHES.
 - 26 LAMINATED SYSTEM MAP WITH SYSTEM START-UP AND SHUT-DOWN INSTRUCTIONS.

BID SET
 BRENT A. MCFARLAND AR-2561
 STATE OF IDAHO

IRVA & ASSOCIATES
 1152 BOND AVENUE - Suite A REBERG, IDAHO 83440
 WWW.IRVA.COM VOICE (208) 359-2309 FAX (208) 359-2271

CONSULTANTS:
 LANDSCAPE ARCHITECT
 HEWER & ASSOCIATES
 1605 South Woodway
 Idaho Falls, Idaho 83404
 (208) 528-9904
 CIVIL ENGINEERING
 CONNECT ENGINEERING
 1100 Highway Dr.
 Idaho Falls, Idaho 83405
 (208) 681-8590
 STRUCTURAL ENGINEERING
 FROST STRUCTURAL ENGINEERING
 1020 Lincoln Road
 Idaho Falls, Idaho 83401
 (208) 227-8404
 Fax (208) 227-8405
 MECHANICAL ENGINEERING
 ENGINEERED SYSTEMS ASSOC.
 1355 East Center Street
 Pocatello, Idaho 83204
 (208) 233-0501
 Fax (208) 233-0529
 ELECTRICAL ENGINEERING
 PAME ENGINEERING INC.
 1833 East Center St.
 Pocatello, Idaho 83201
 (208) 232-4439
 Fax (208) 232-1435

PROJECT: SUGAR - SALEM JUNIOR HIGH SCHOOL
 SUGAR CITY IDAHO
 DRAWING TITLE: FIRE SPRINKLER SYSTEM DETAILS

REVISION:		
#	DATE	COMMENT

DRAWN BY: M. JENSEN JOB NO: 764
 CHECKED BY: D. SUDNEEKS DATE: APR '20
 PLOT DATE: Apr 06, 2020
 DRAWING NO. FILE: 19099-P3.3.dwg
P3.3
 OF 16

ORIGINAL DRAWING SIGNED BY: DWAYNE C. SUDNEEKS
 DATE ORIGINAL SIGNED: Mar 05, 2020
 ORIGINAL ON FILE AT ENGINEERED SYSTEMS ASSOCIATES
 1355 EAST CENTER, POCATELLO, IDAHO 83201

Engineered Systems Associates
 1355 EAST CENTER POCATELLO, IDAHO 83201
 PHONE: (208) 233-0501
 FAX: (208) 233-0529
 EMAIL: esa@engsystems.com
 ESA JOB NUMBER: 19099

F:\V\19099\Sugar_Salem_Jr_High\19099-P3.3.dwg Apr 06, 2020 - 2:01pm