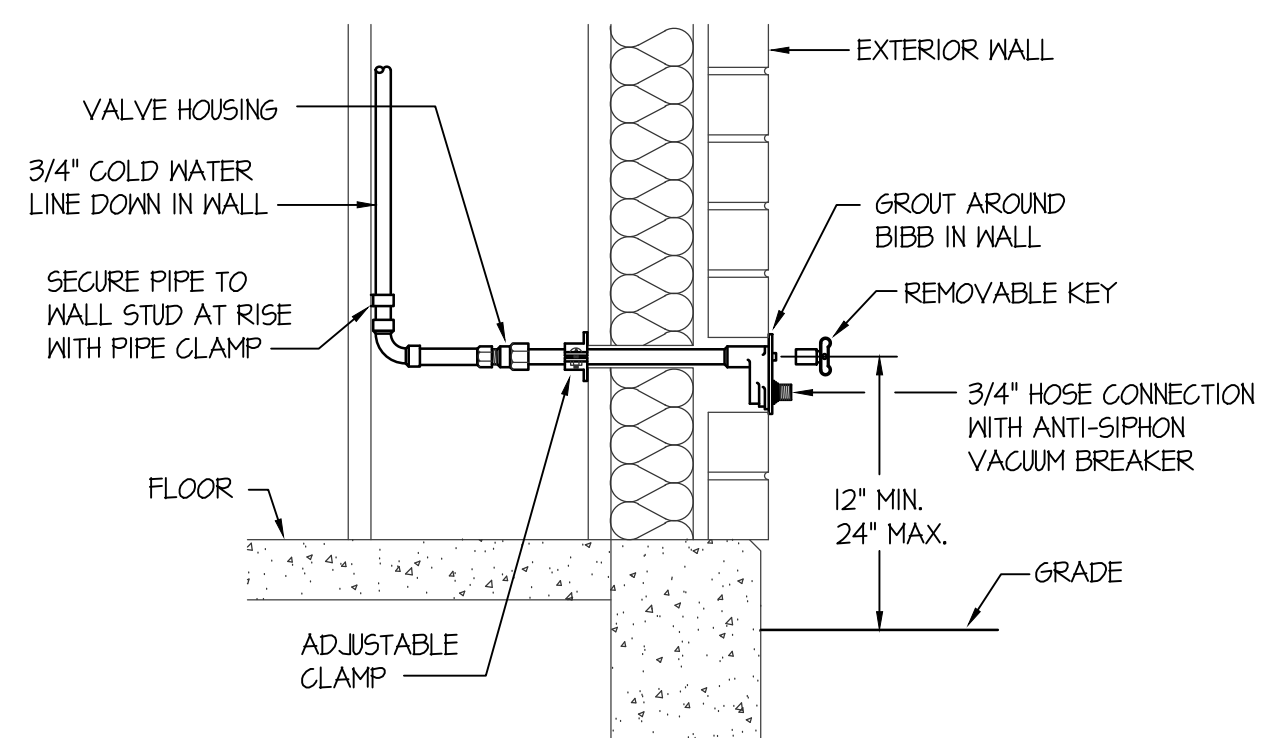
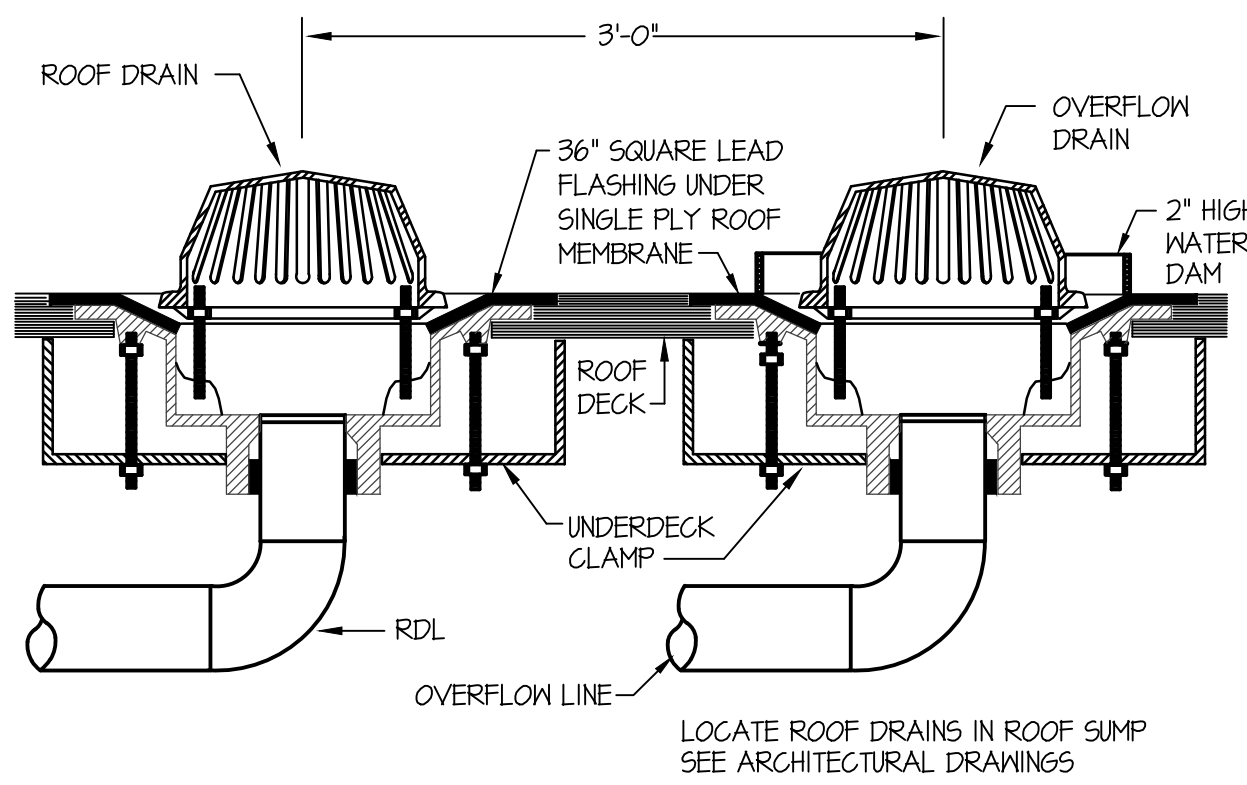


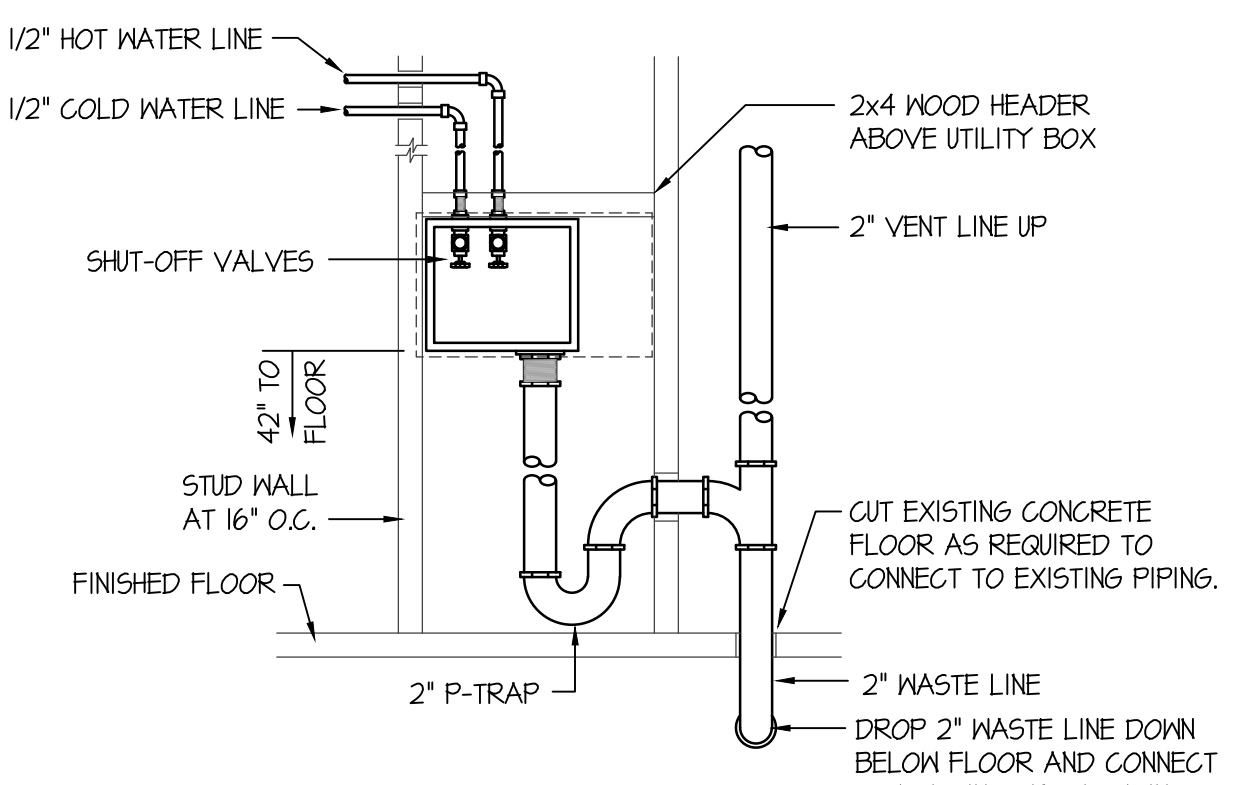
CLEANOUT TO GRADE (COTG) **WALL CLEANOUT (WCO)**



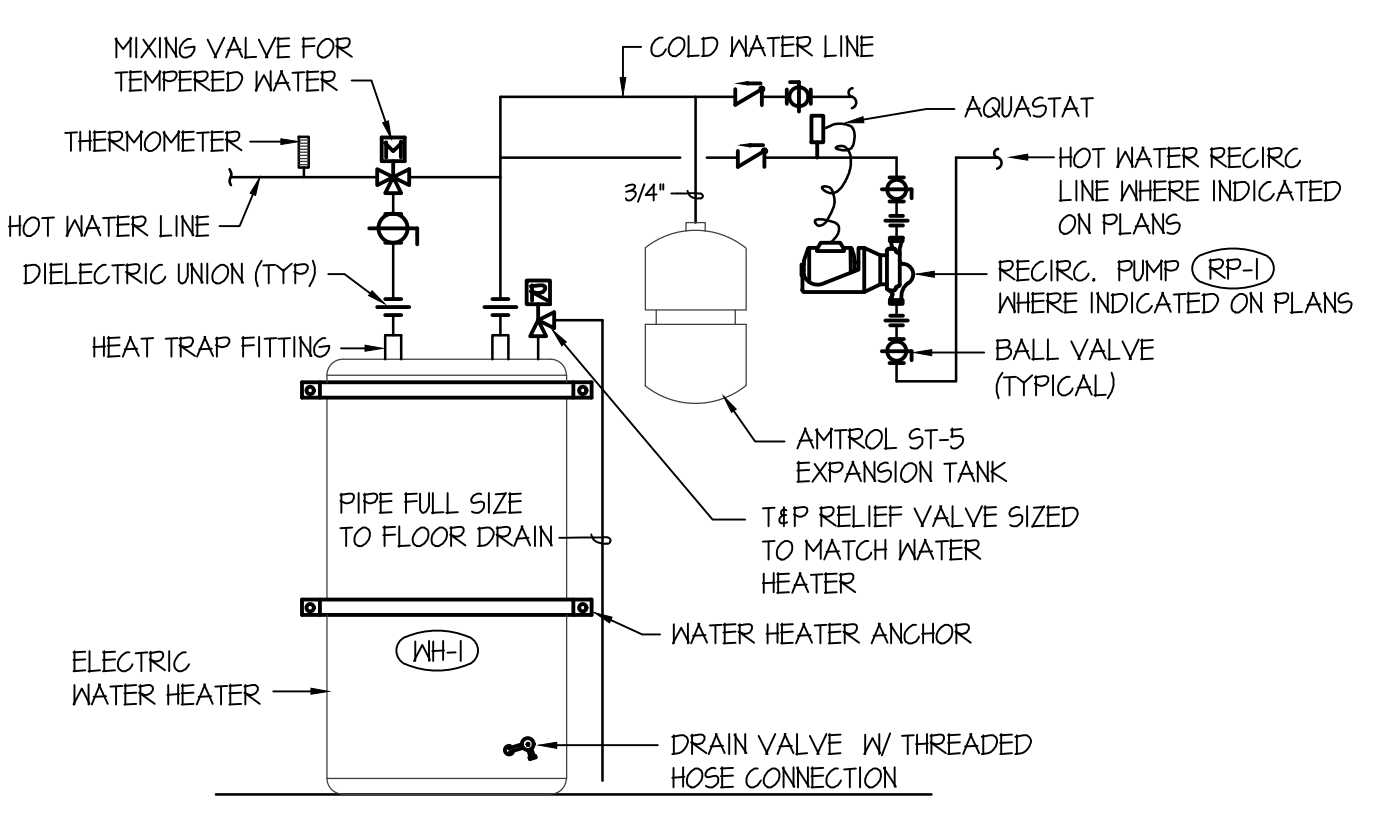
B EXTERIOR HOSE BIBB DETAIL NO SCALE



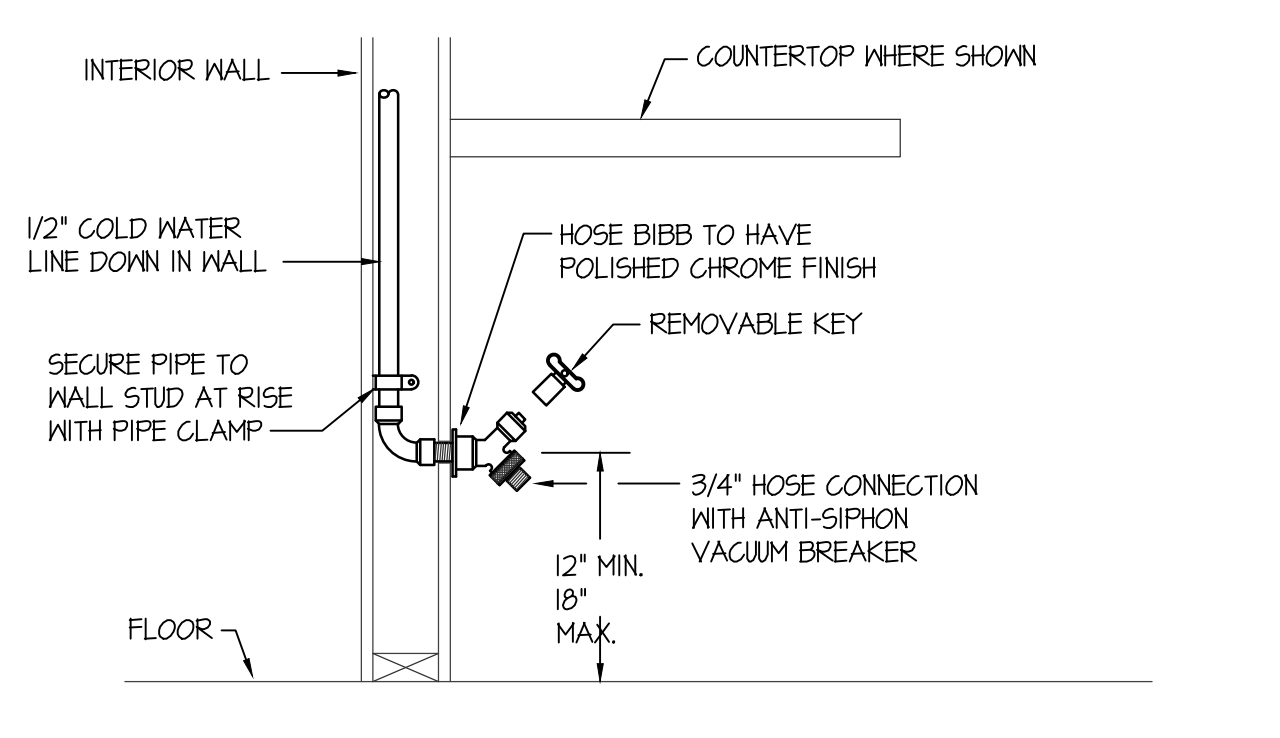
C ROOF DRAIN INSTALLATION DETAIL NO SCALE



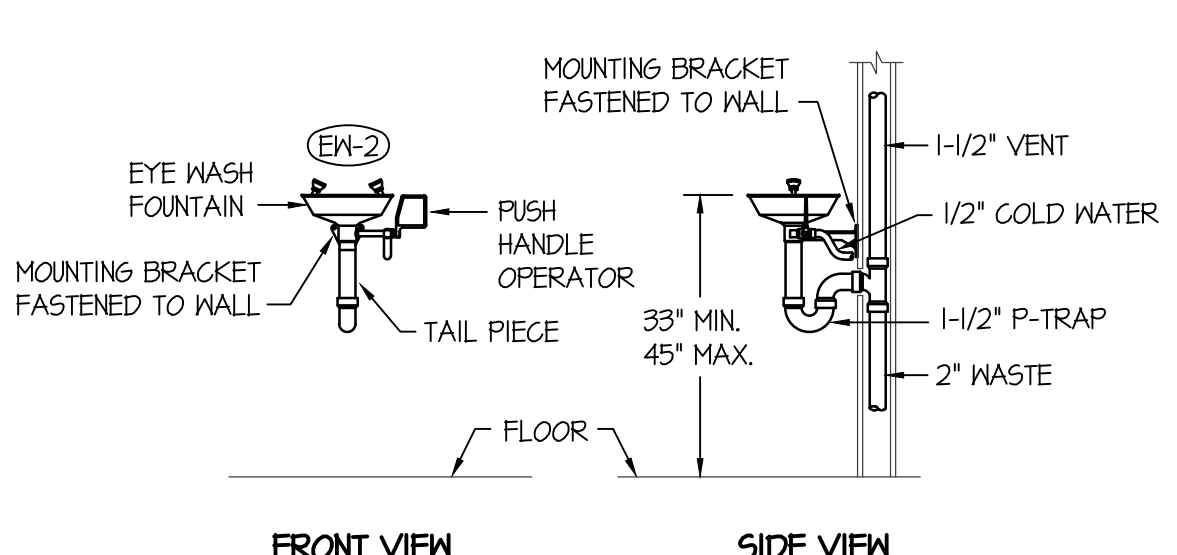
D WASHER BOX INSTALLATION DETAIL NO SCALE



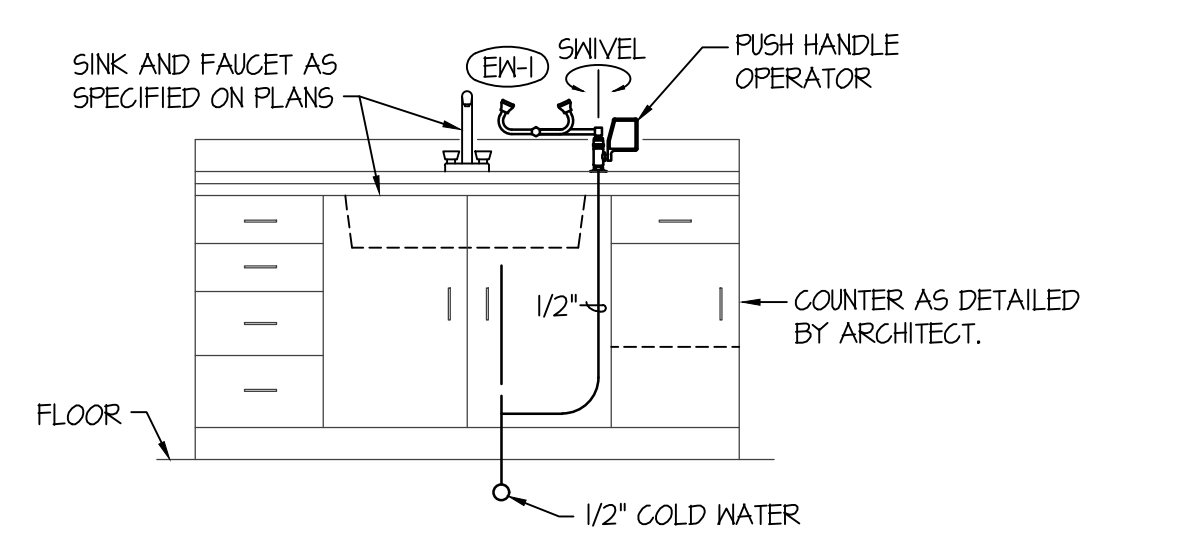
E ELECTRIC WATER HEATER PIPING NO SCALE



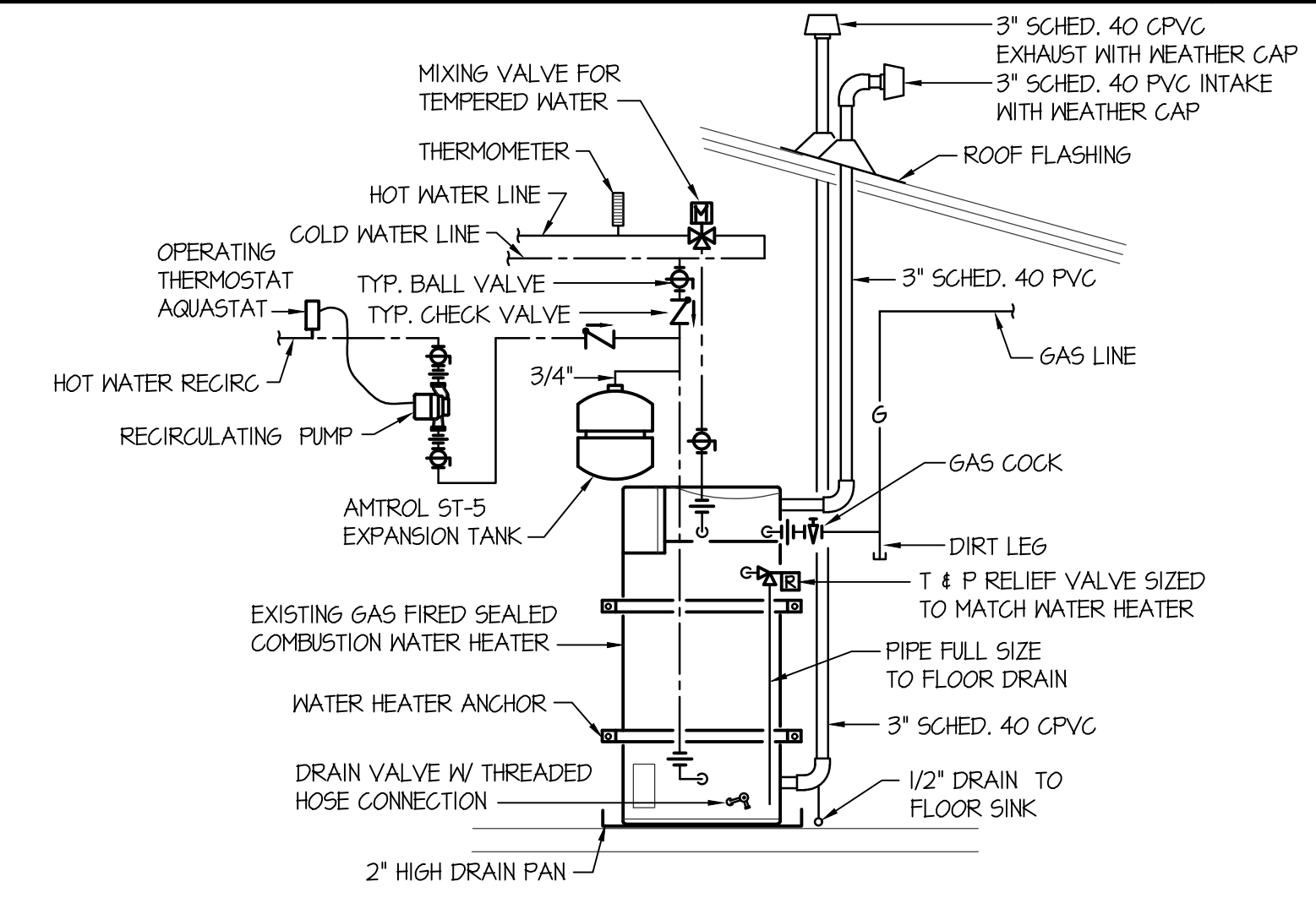
F INTERIOR HOSE BIBB DETAIL NO SCALE



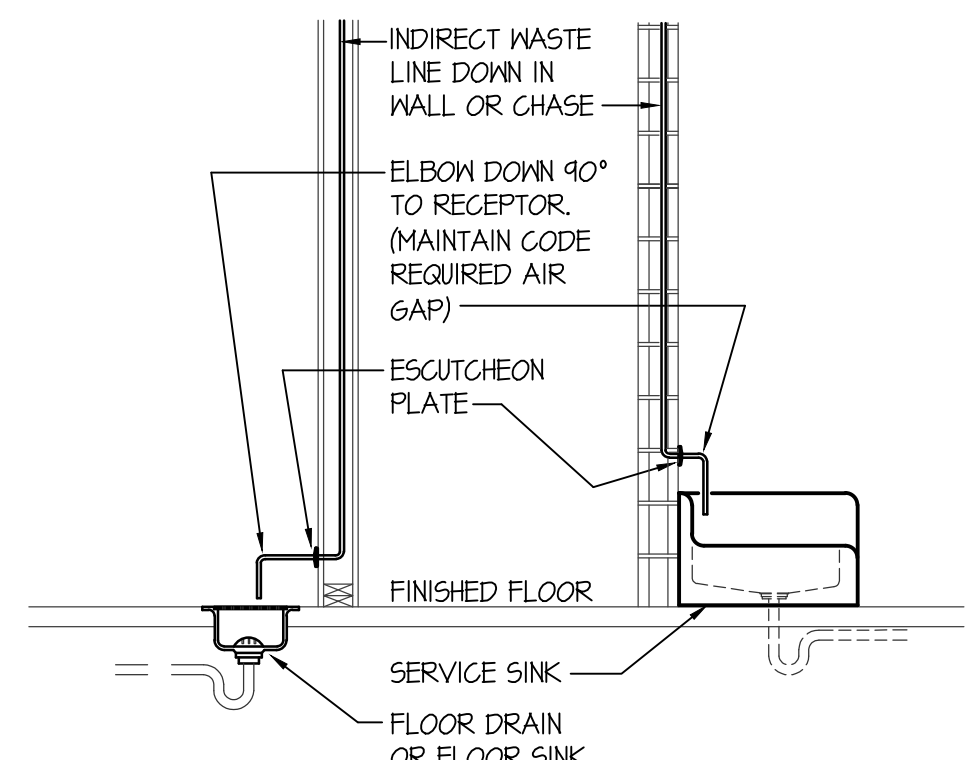
G EMERGENCY EYEWASH DETAIL NO SCALE



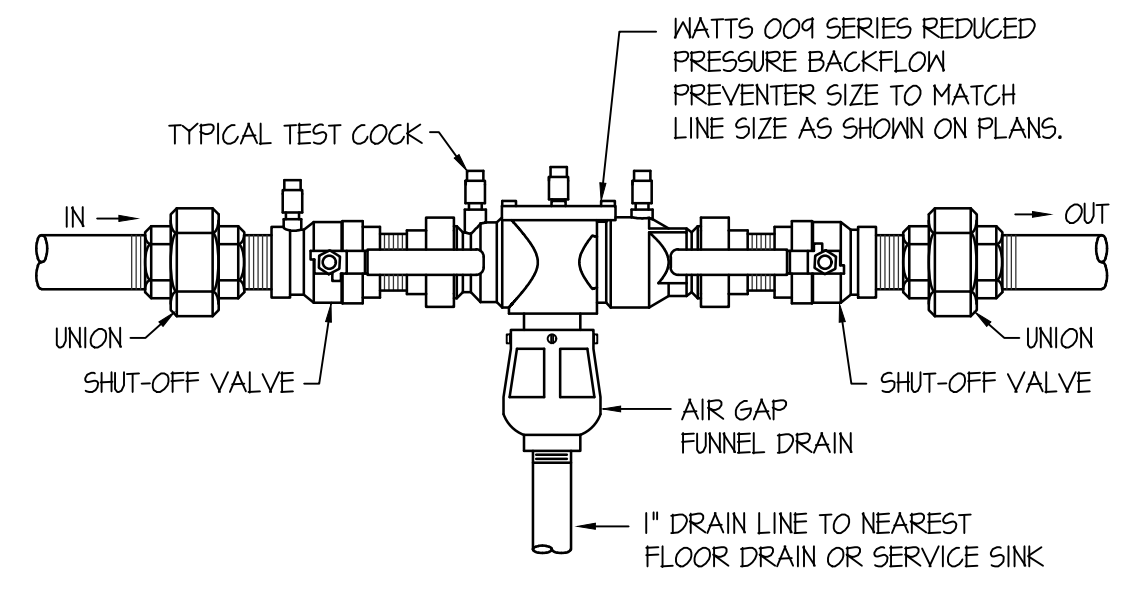
H EMERGENCY EYEWASH DETAIL NO SCALE



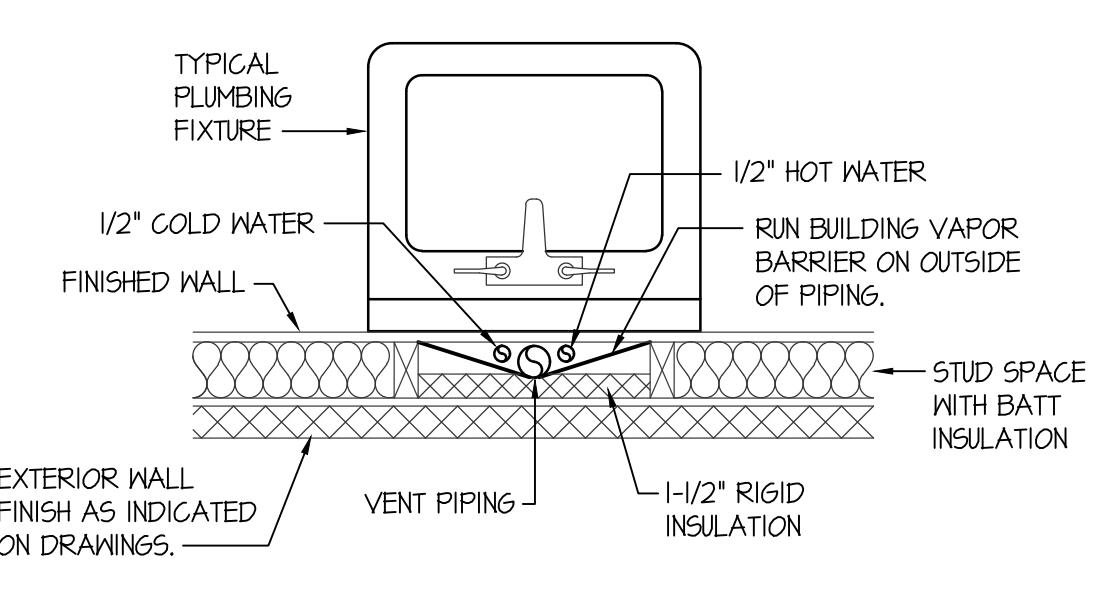
J GAS WATER HEATER PIPING DETAIL NO SCALE



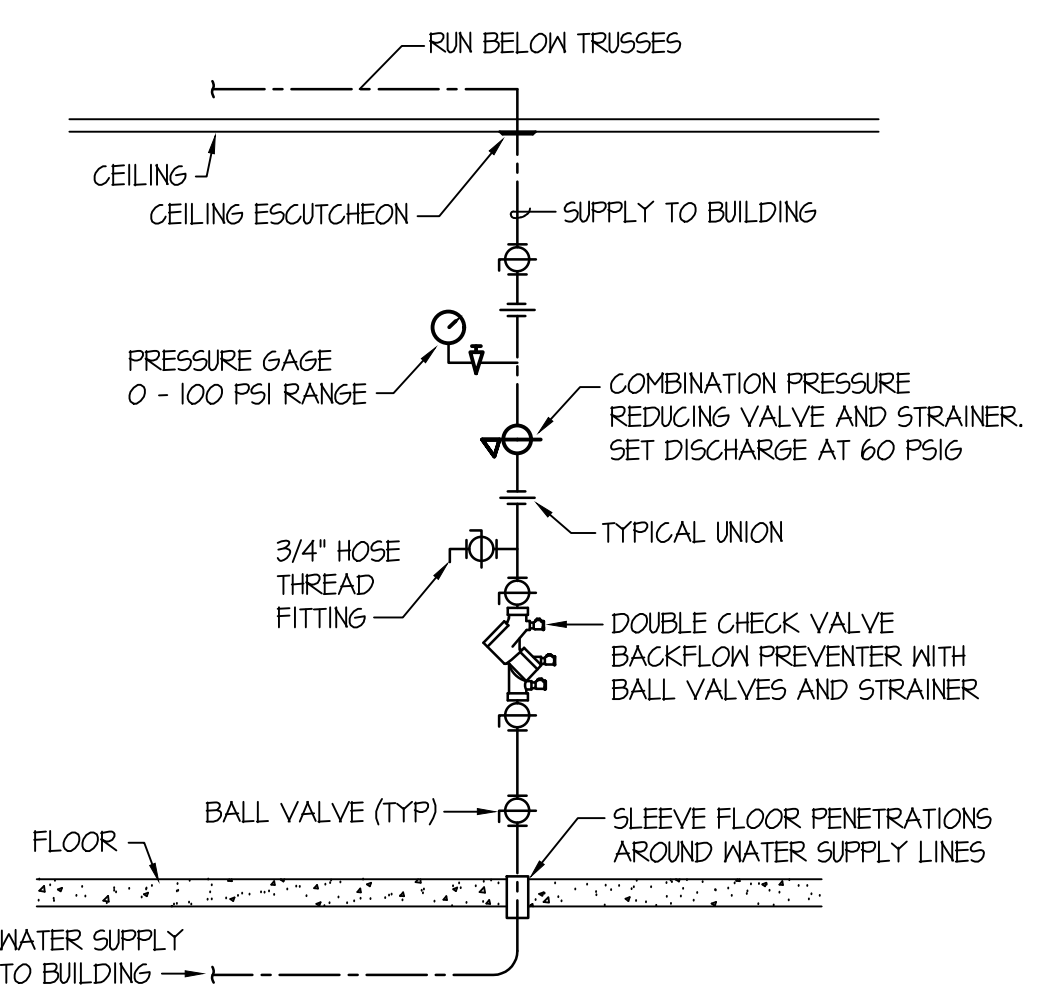
K INDIRECT DRAIN DETAIL NO SCALE



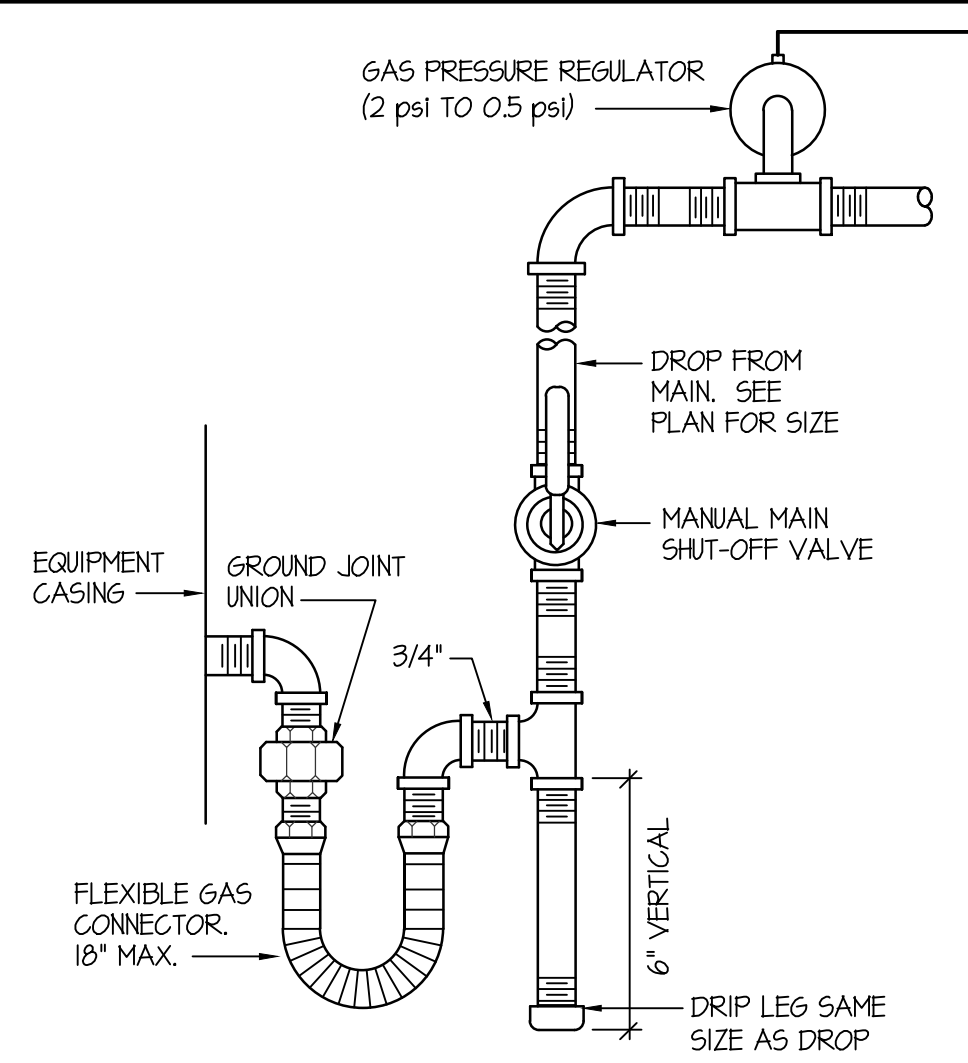
L BACKFLOW PREVENTER DETAIL NO SCALE



M PIPING IN OUTSIDE WALL DETAIL NO SCALE



N VERTICAL WATER PRV STATION DETAIL NO SCALE



O GAS LINE CONNECTION DETAIL NO SCALE

BID SET
BRENT A. MCFARLAND AR-2561
STATE OF IDAHO

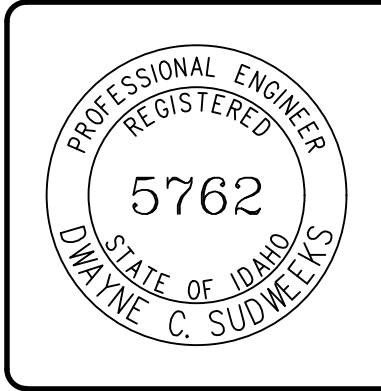
IRWA & ASSOCIATES
1152 BOND AVENUE - SUITE A REIDBERG, IDAHO 83440
WWW.IRWAA.COM VOICE (208) 359-2309 FAX (208) 359-2271

CONSULTANTS:
LANDSCAPE ARCHITECT
REINER & ASSOCIATES
1605 South Woodruff
Idaho Falls, Idaho 83404
(208) 327-8404
(208) 328-9504
CIVIL ENGINEERING
CONNECT ENGINEERING
1100 Hallock St.
Idaho Falls, Idaho 83405
(208) 681-8590
STRUCTURAL ENGINEERING
FROST STRUCTURAL ENGINEERING
1020 Lincoln Road
Idaho Falls, Idaho 83401
(208) 327-8404
Fax (208) 227-8405
MECHANICAL ENGINEERING
ENGINEERED SYSTEMS ASSOC.
1355 East Center Street
Pocatello, Idaho 83204
(208) 233-0501
Fax (208) 233-0529
PLUMBING ENGINEERING INC.
1823 East Center St.
Pocatello, Idaho 83201
(208) 232-4430
Fax (208) 232-1435

SUGAR - SALEM
SP #322
JUNIOR HIGH SCHOOL
IDAHO
SUGAR CITY
PLUMBING DETAILS AND DIAGRAMS

REVISION:		
#	DATE	COMMENT
1		
DRAWN BY:	M. JENSEN	JOB NO: 764
CHECKED BY:	D. SUDNEEKS	DATE: APR '20
PLOT DATE:	Apr 06, 2020	
DRAWING NO.	P3.1	
OF	16	

ORIGINAL DRAWING SIGNED BY: DWAYNE C. SUDNEEKS
DATE ORIGINAL SIGNED: Mar 05, 2020
ORIGINAL ON FILE AT ENGINEERED SYSTEMS ASSOCIATES
1355 EAST CENTER, POCATELLO, IDAHO 83201



Engineered Systems Associates
1355 EAST CENTER
POCATELLO, IDAHO 83201
PHONE: (208) 233-0501
FAX: (208) 233-0529
EMAIL: esa@engsystems.com
ESA JOB NUMBER: 19099

F:\V\19099\19099-P3.1.dwg Apr 06, 2020 - 2:02pm