

- CONSULTANTS:**
- LANDSCAPE ARCHITECT**
MEYER & ASSOCIATES
1605 South Woodruff
Mesa Falls, Idaho 83404
(208) 227-8404
 - CIVIL ENGINEERING**
CONNECT ENGINEERING
1100 Harrison Ave.
Mesa Falls, Idaho 83405
(208) 681-8590
 - STRUCTURAL ENGINEERING**
FROST STRUCTURAL ENGINEERING
1020 Lincoln Road
Mesa Falls, Idaho 83401
(208) 227-8404
Fax (208) 227-8405
 - MECHANICAL ENGINEERING**
ENGINEERED SYSTEMS ASSOC.
1355 East Center Street
Pocatello, Idaho 83204
(208) 233-0501
Fax (208) 233-0529
 - ELECTRICAL ENGINEERING**
PANE ENGINEERING INC.
1823 East Center St.
Pocatello, Idaho 83201
(208) 232-4430
Fax (208) 232-1435

SUGAR - SALEM
SD #322
JUNIOR HIGH SCHOOL

SUGAR CITY IDAHO

WASTE AND VENT RISER DIAGRAMS

PROJECT: SUGAR CITY IDAHO

DRAWING TITLE: WASTE AND VENT RISER DIAGRAMS

REVISION:		
#	DATE	COMMENT

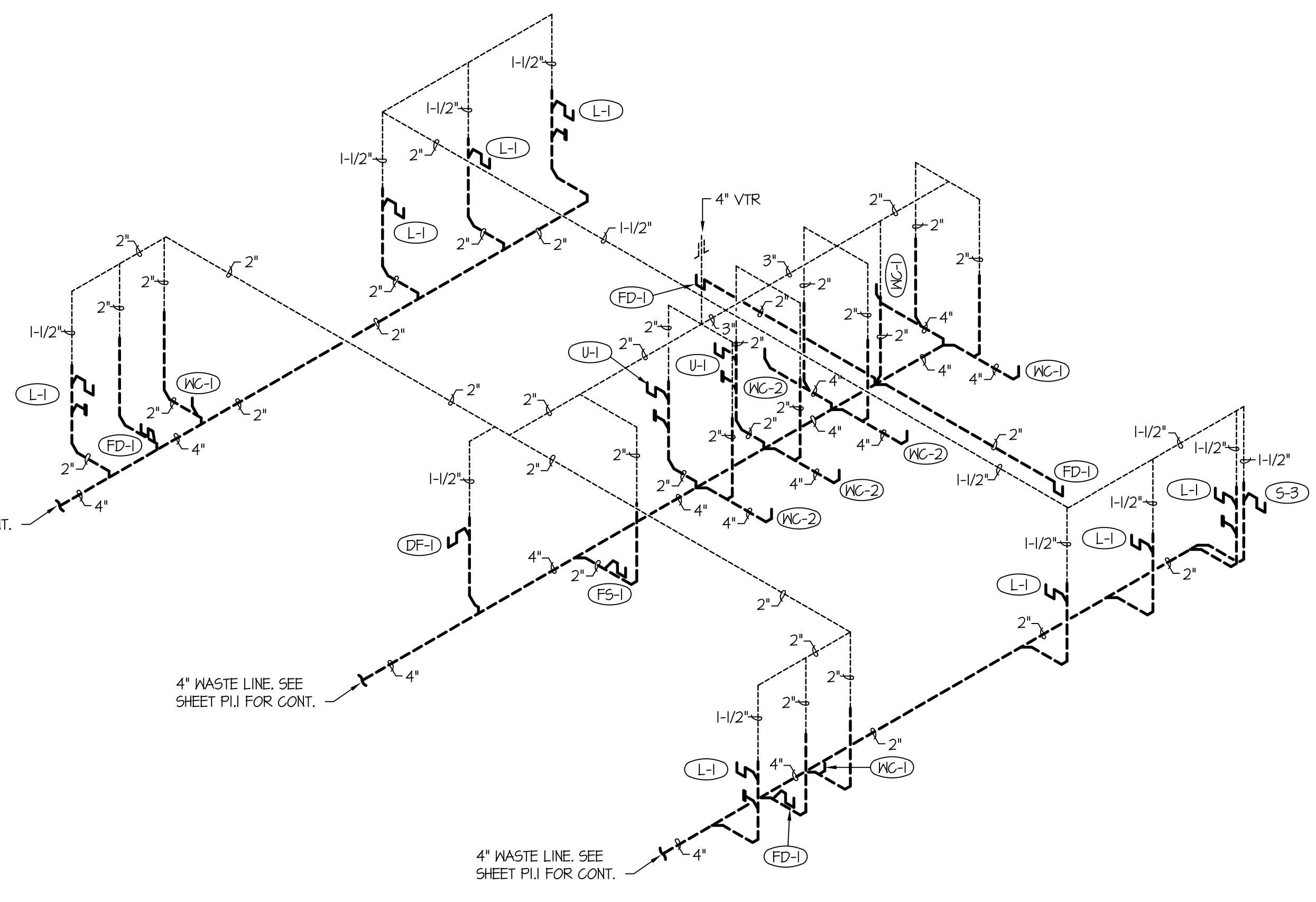
DRAWN BY: M. JENSEN	JOB NO: 764
CHECKED BY: D. SUDNEEKS	DATE: APR '20
PLOT DATE: Apr 06, 2020	
DRAWING NO. FILE: 19099-P2.5.dwg	
P2.5	
OF 16	

ORIGINAL DRAWING SIGNED BY: DWAYNE C. SUDNEEKS
DATE ORIGINAL SIGNED: Mar 05, 2020
ORIGINAL ON FILE AT ENGINEERED SYSTEMS ASSOCIATES
1355 EAST CENTER, POCATELLO, IDAHO 83201

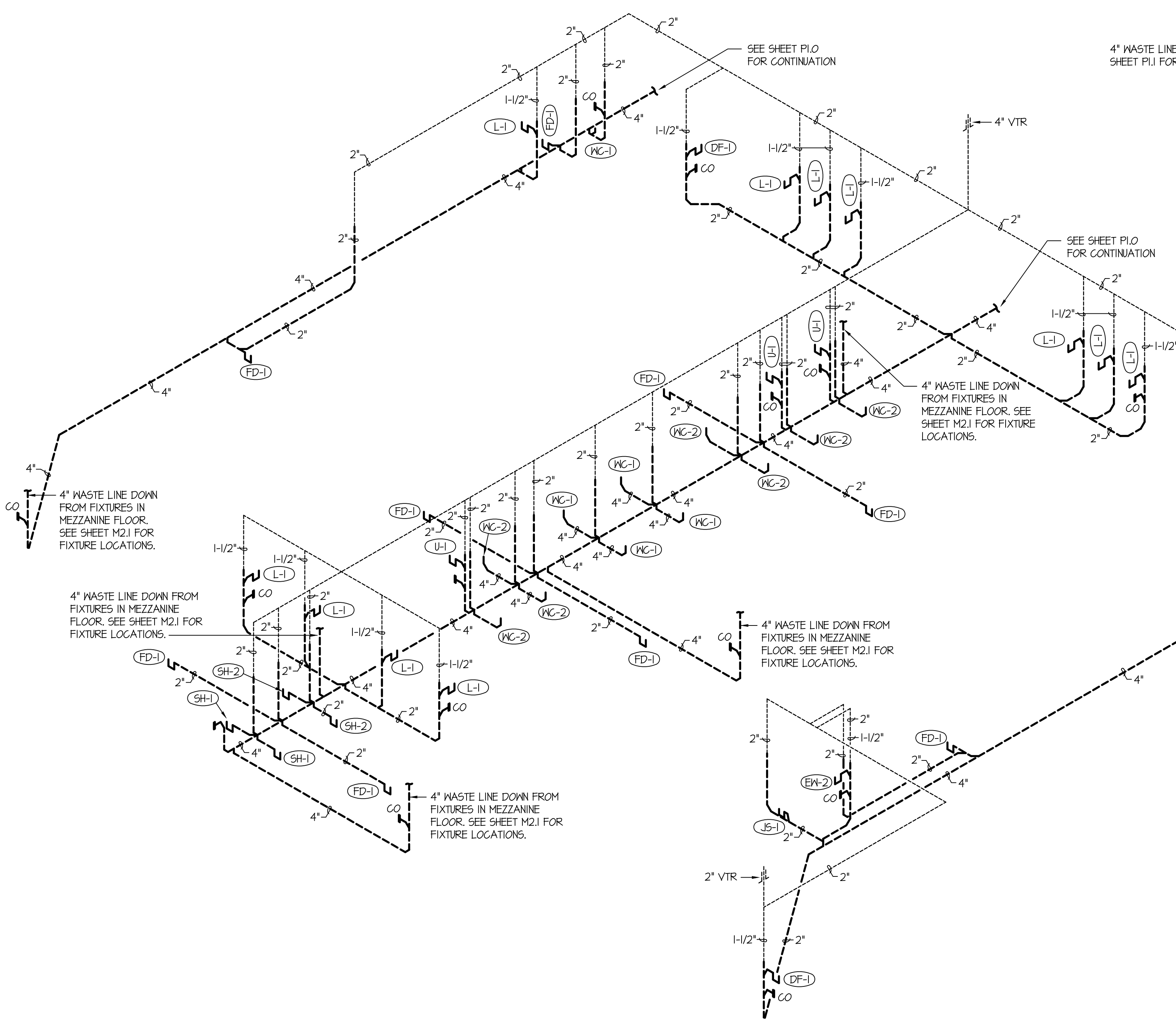
Engineered Systems Associates

1355 EAST CENTER
POCATELLO, IDAHO 83201
PHONE: (208) 233-0501
FAX: (208) 233-0529
EMAIL: esa@engsystems.com
ESA JOB NUMBER: 19099

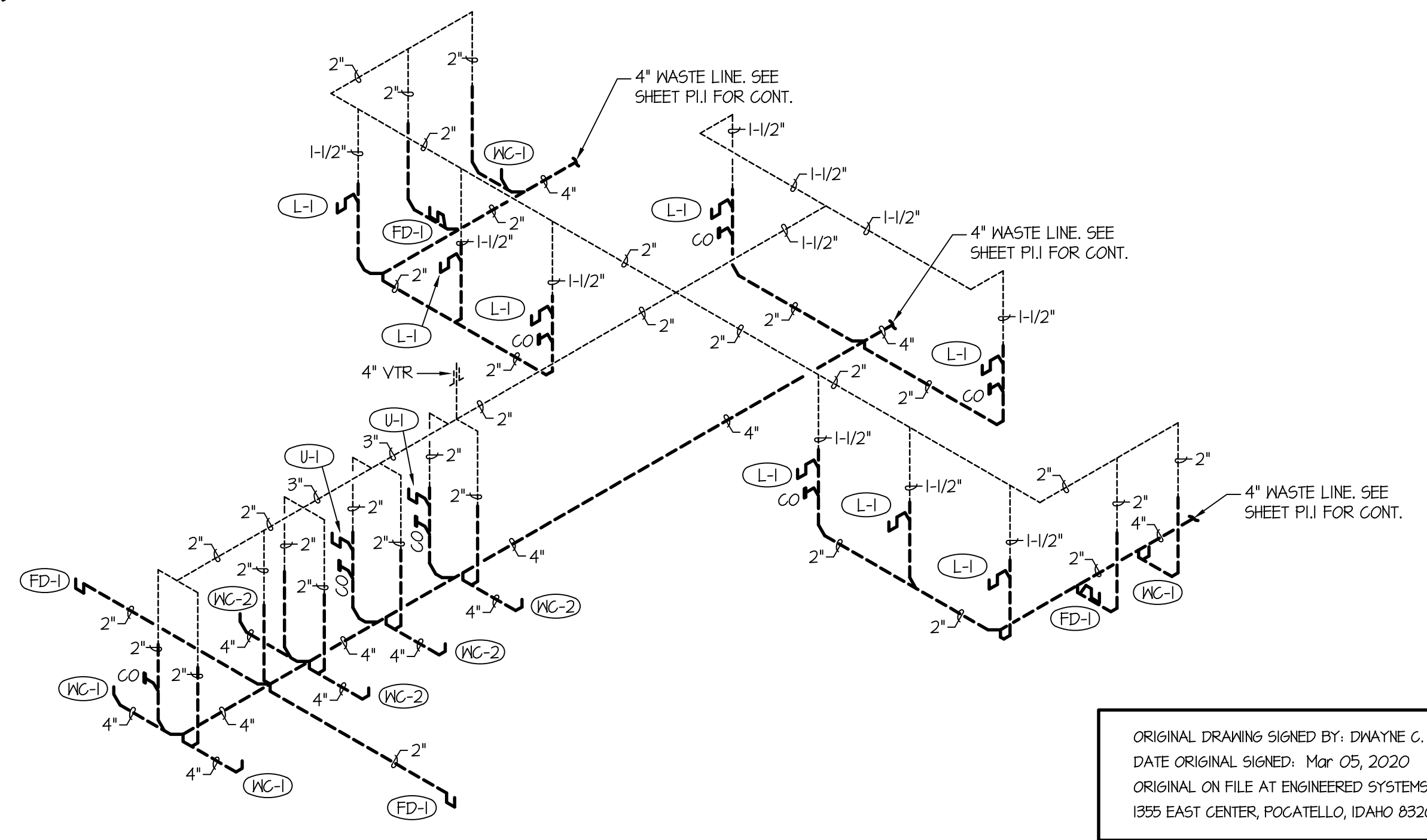
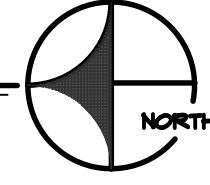
PROFESSIONAL ENGINEER REGISTERED
5762
STATE OF IDAHO
DWAYNE C. SUDNEEKS



WASTE AND VENT RISER DIAGRAM - TOILET RMS 130 & 132
NO SCALE



WASTE AND VENT RISER DIAGRAM - LOCKER ROOMS
NO SCALE



WASTE AND VENT RISE DIAGRAM - ROOMS 189 & 191
NO SCALE