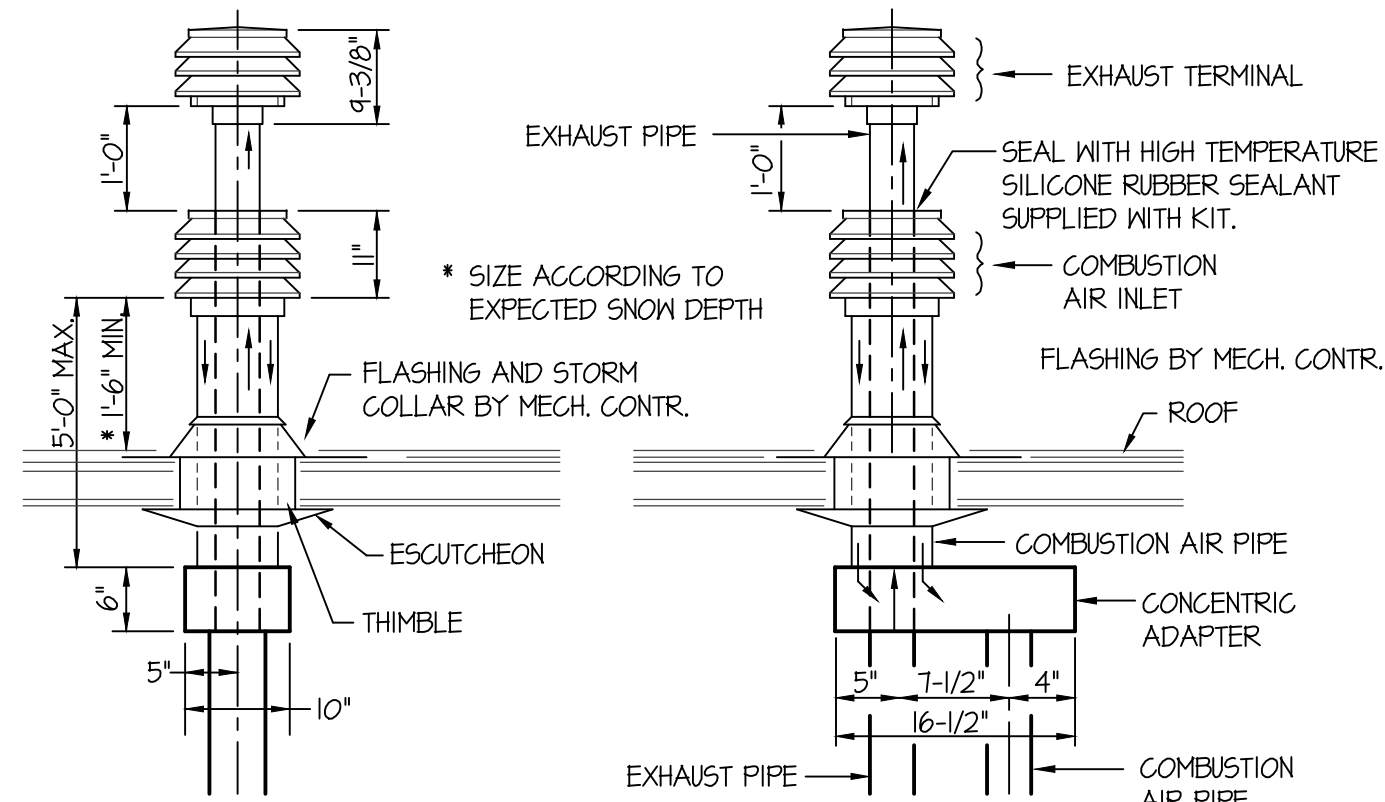


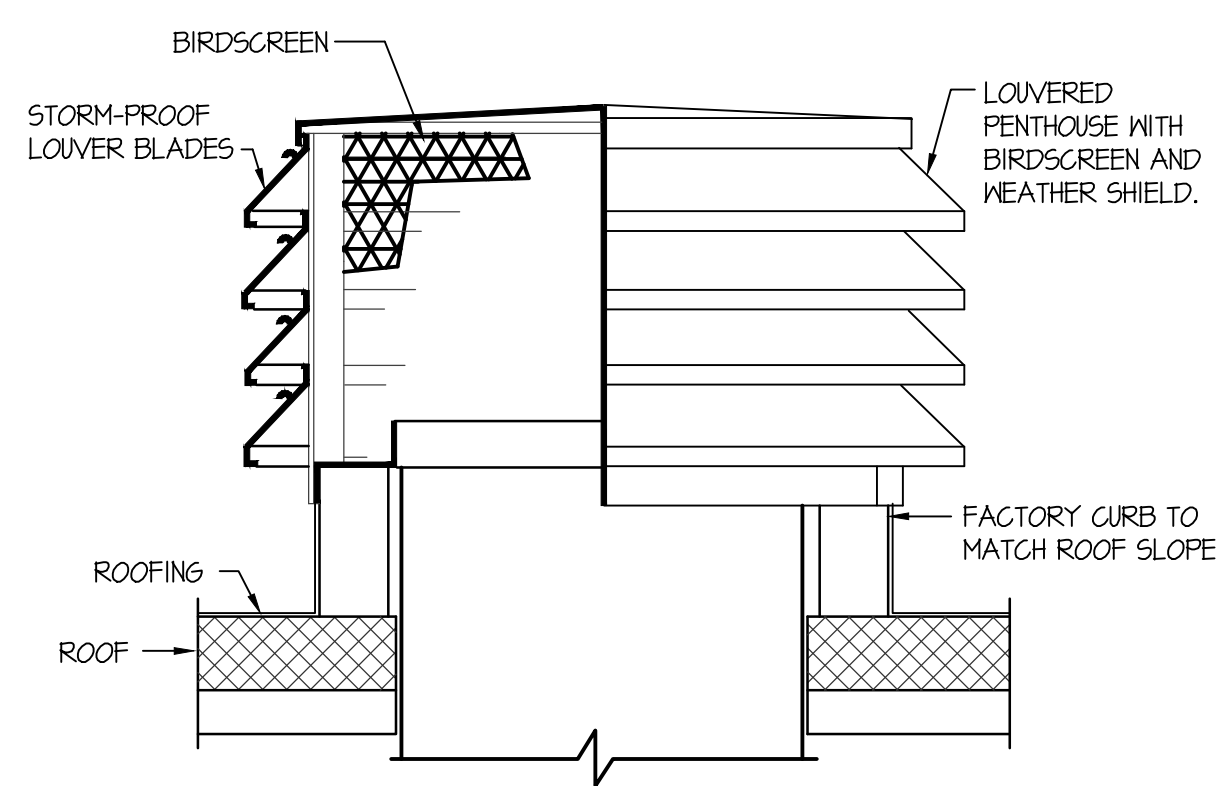
EXHAUST FAN SCHEDULE

Table with columns: SYM., TYPE, CFM, S.P.E., WATTS, CHAR., R.P.M., CONTROL, REMARKS. Lists various exhaust fan models and their specifications.



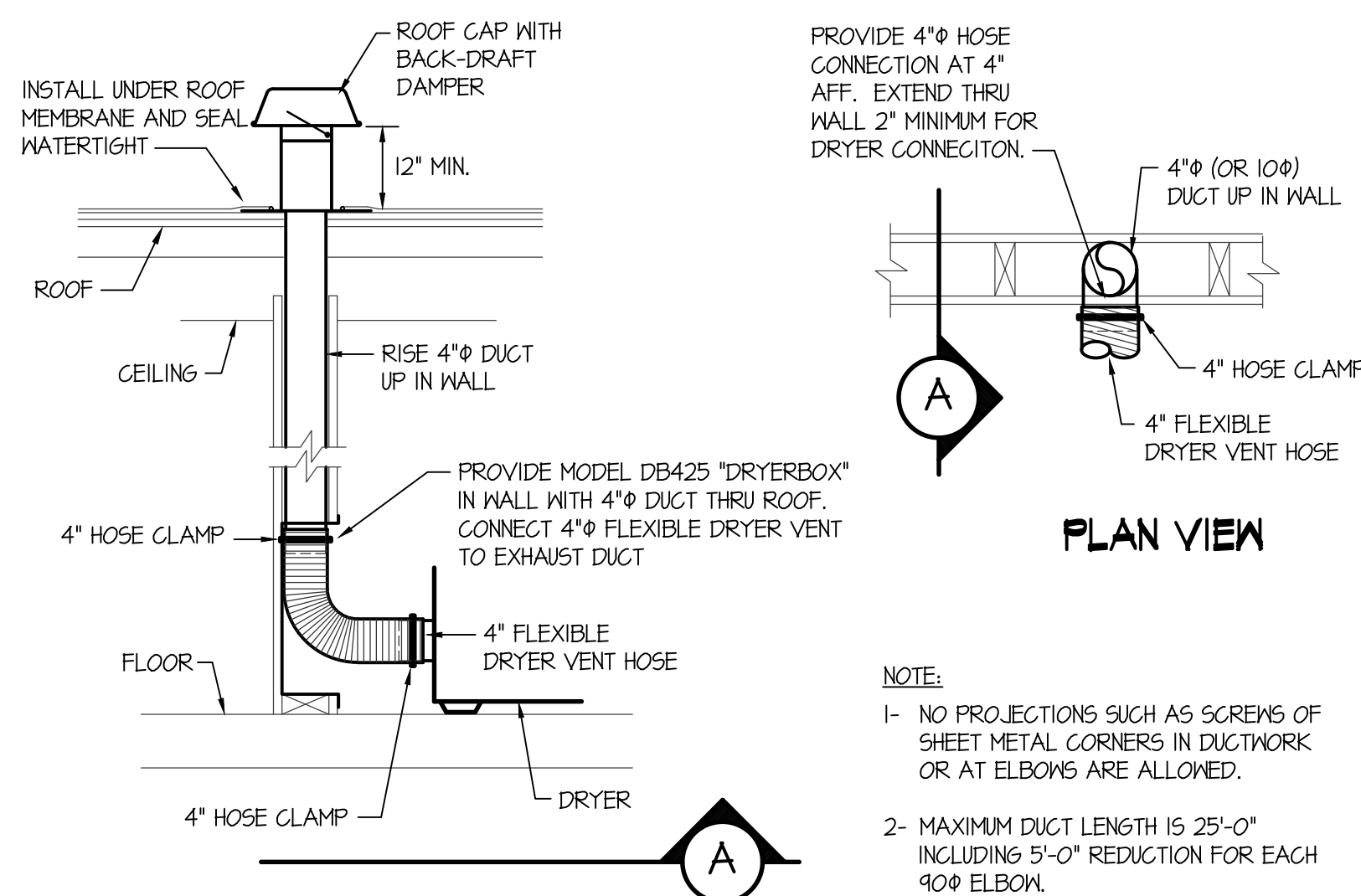
A BOILER VENT THRU ROOF DETAIL

NO SCALE



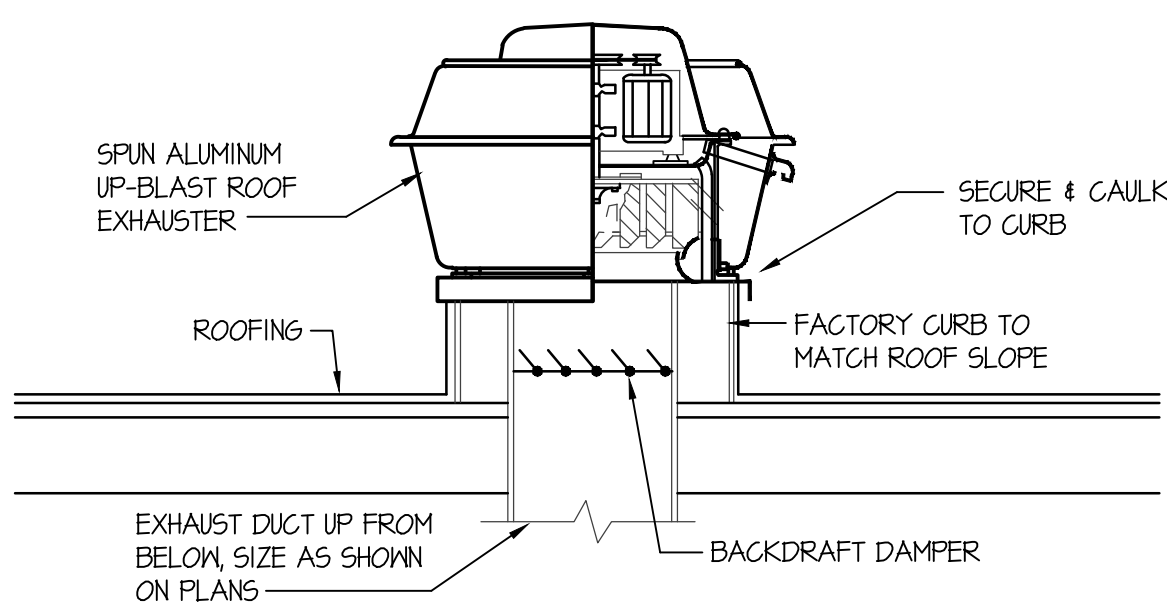
B PENTHOUSE INSTALLATION DTAIL

NO SCALE



C DRYER VENT DETAIL

NO SCALE



D ROOF MOUNTED EXHAUST FAN DETAIL

NO SCALE

GRILLE AND REGISTER SCHEDULE

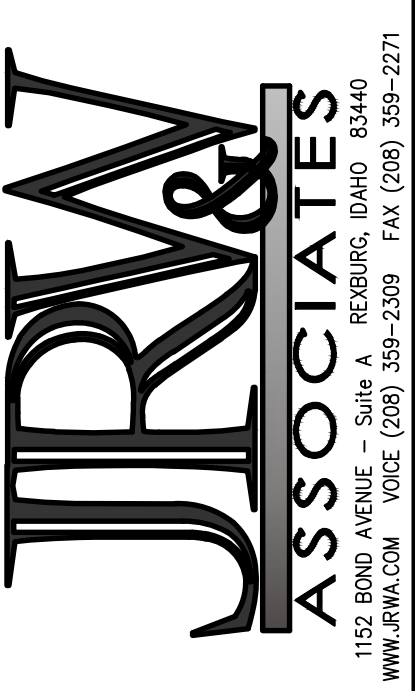
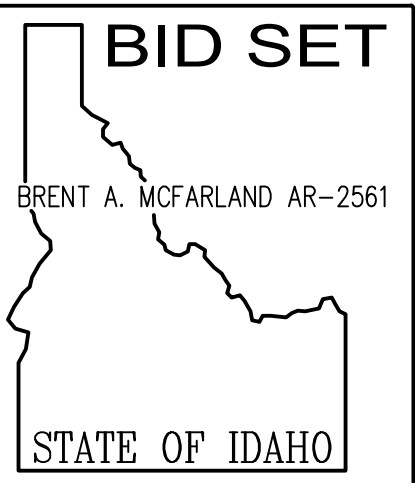
Table with columns: SYM., SIZE, THROW, CFM, CONSTR., FINISH, BRANCH DUCT, F.D., O.B., REMARKS. Lists various grille and register models.

ELECTRIC HEATER SCHEDULE

Table with columns: SYM., TYPE, BTU, KW, CHAR., CONTROL, REMARKS. Lists various electric heater models.

FAN COIL SPLIT SYSTEM A/C UNIT SCHEDULE

Table with columns: SYM., CFM, BTU, CHAR., MCA, INDOOR UNIT, SYM., BTU, MCA, SEER, CHAR., OUTDOOR UNIT, MANUFACTURER, REFRIG. LINES, LIQUID SUCTION.



- CONSULTANTS:
LANDSCAPE ARCHITECT: MEYER & ASSOCIATES
ELECTRICAL ENGINEERING: CONNECT ENGINEERING
STRUCTURAL ENGINEERING: PROST STRUCTURAL ENGINEERING
MECHANICAL ENGINEERING: ENGINEERED SYSTEMS ASSOC.
PLUMBING ENGINEERING: PLUMBING ENGINEERING INC.

IDAHO
SUGAR - SALEM
50 #222
JUNIOR HIGH SCHOOL
MECHANICAL SCHEDULES AND DETAILS

PROJECT: SUGAR CITY
DRAWING TITLE: MECHANICAL SCHEDULES AND DETAILS
REVISION:
# DATE COMMENT
DRAWN BY: M. JENSEN JOB NO: 764
CHECKED BY: D. SUDNEEKS DATE: APR '20
PLOT DATE: Apr 06, 2020
DRAWING NO. FILE: 19099-M3.3.dwg
M3.3
OF 17

Professional Engineer seal for DWYANE C. SUDNEEKS, 5762. Registered Professional Engineer, State of Idaho.
Engineered Systems Associates, 1355 EAST CENTER POCAATELLO, IDAHO 83201.
PHONE: (208) 233-0501 FAX: (208) 233-0529 EMAIL: eso@engsystems.com ESA JOB NUMBER: 19099