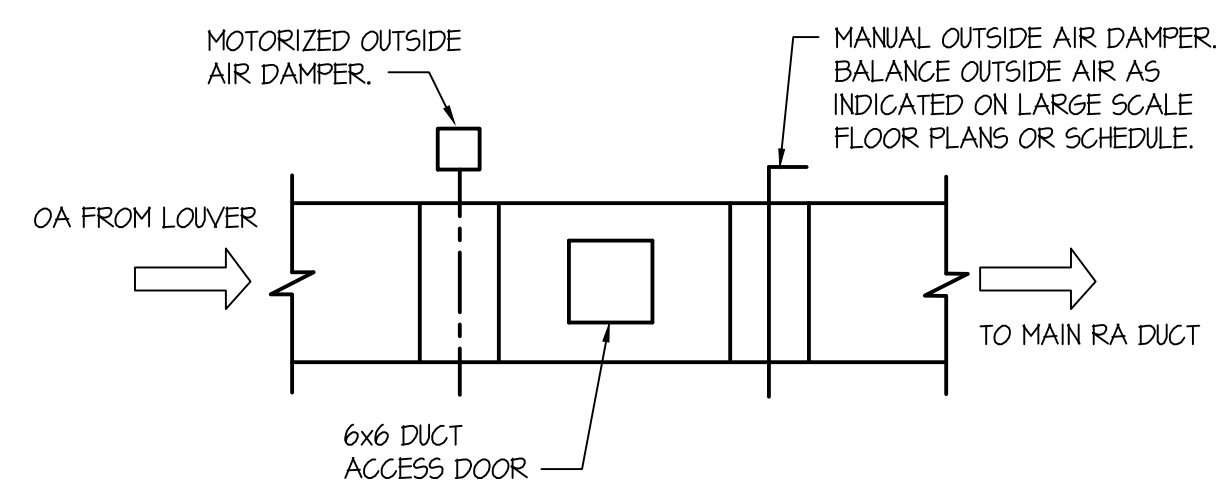


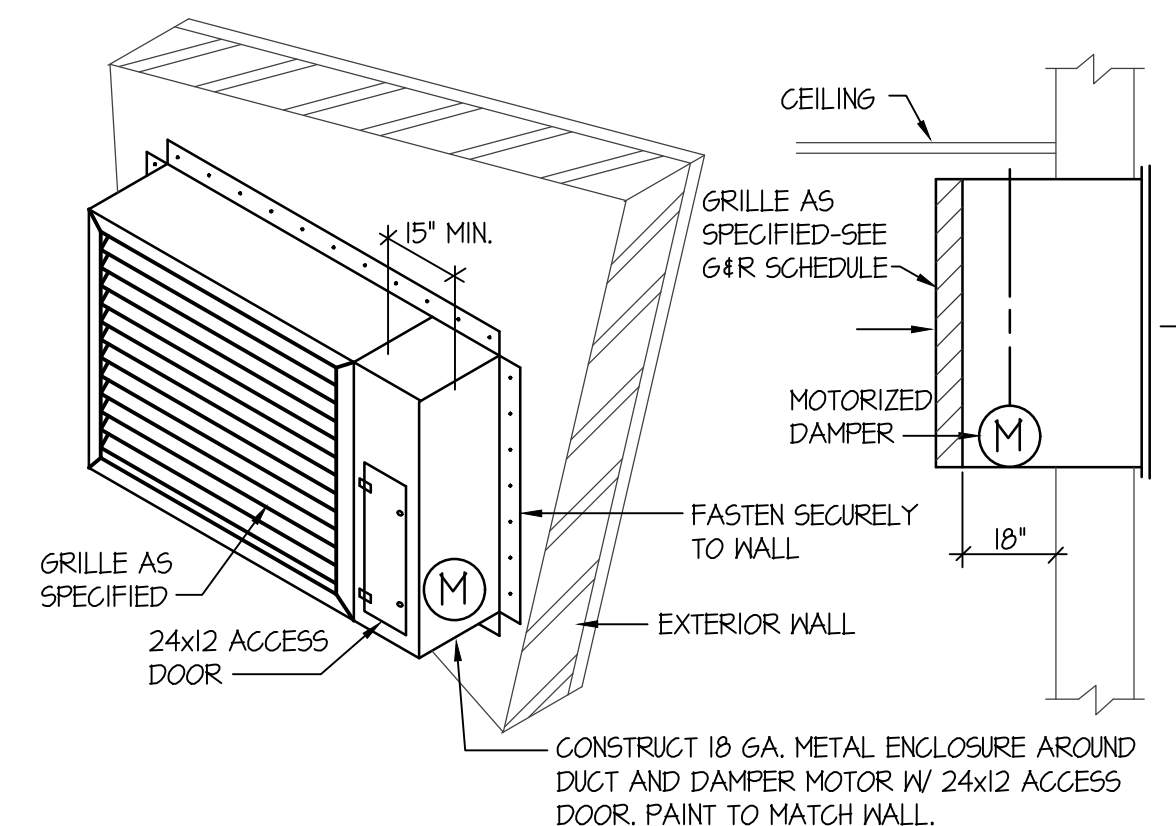
**A FLEXIBLE DUCT SUPPORT DETAIL**

NO SCALE



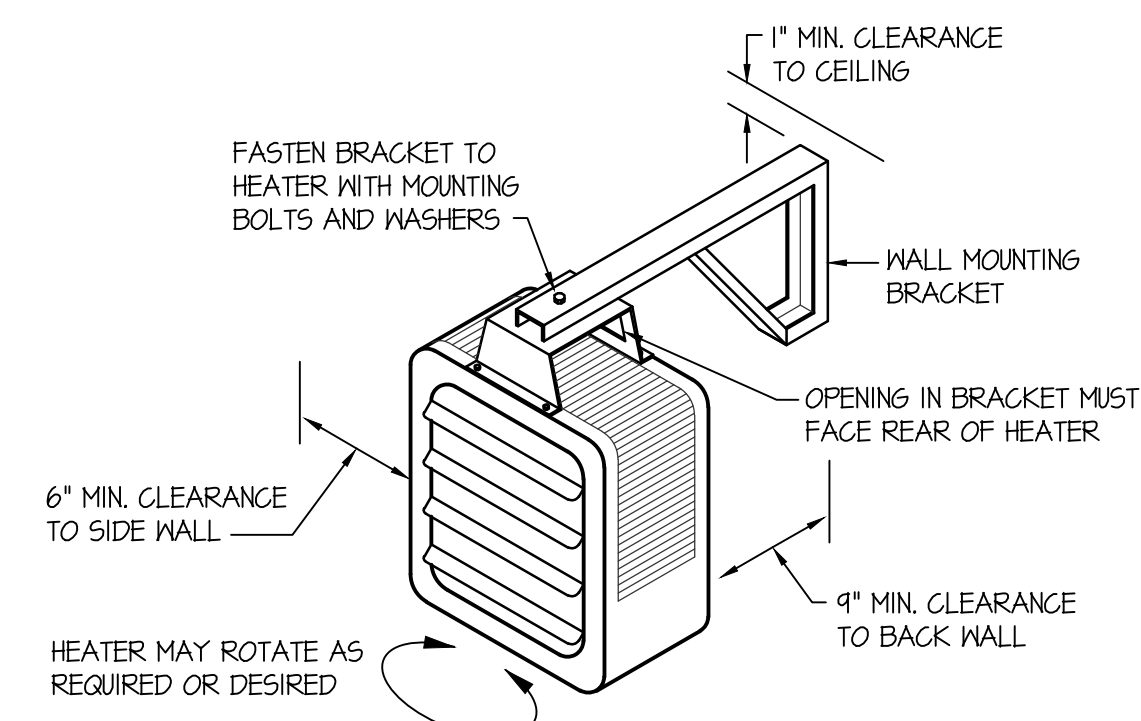
**B TYPICAL OUTSIDE AIR DUCT DETAIL**

NO SCALE



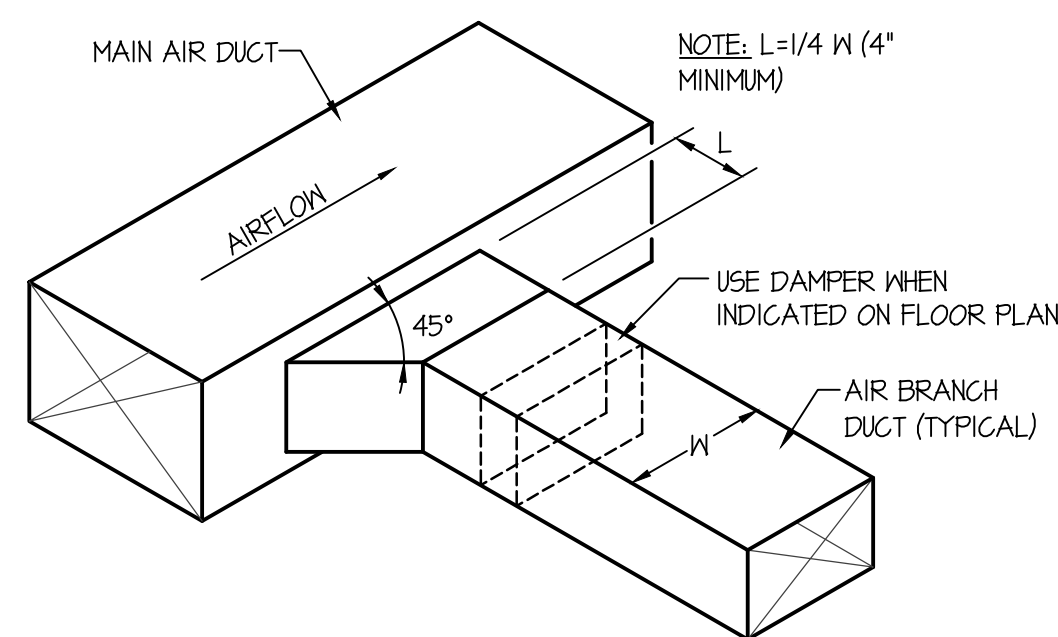
**C RELIEF AIR LOUVER DETAIL**

NO SCALE



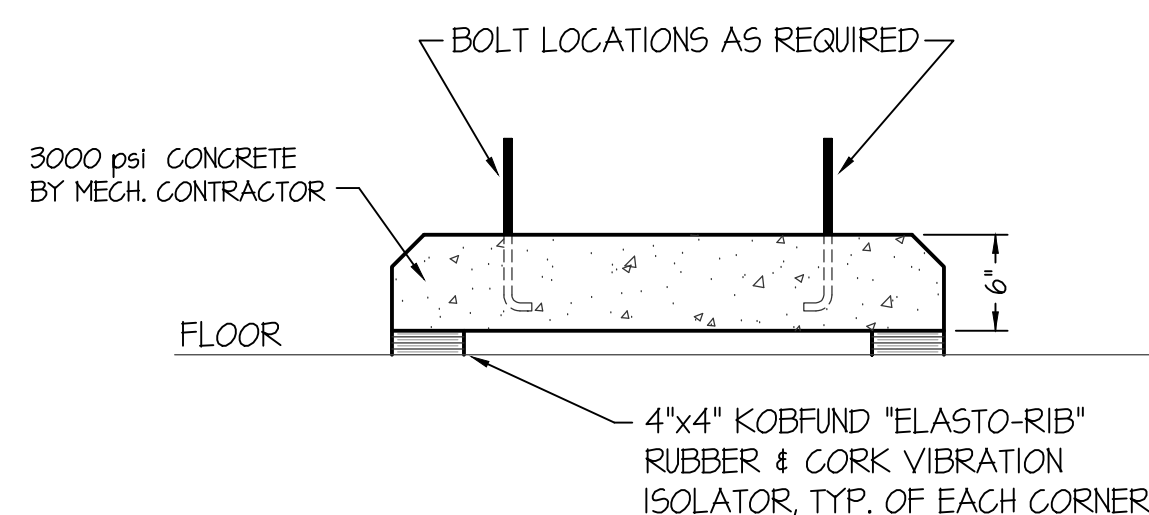
**D TYPICAL UNIT HEATER MOUNTING**

NO SCALE



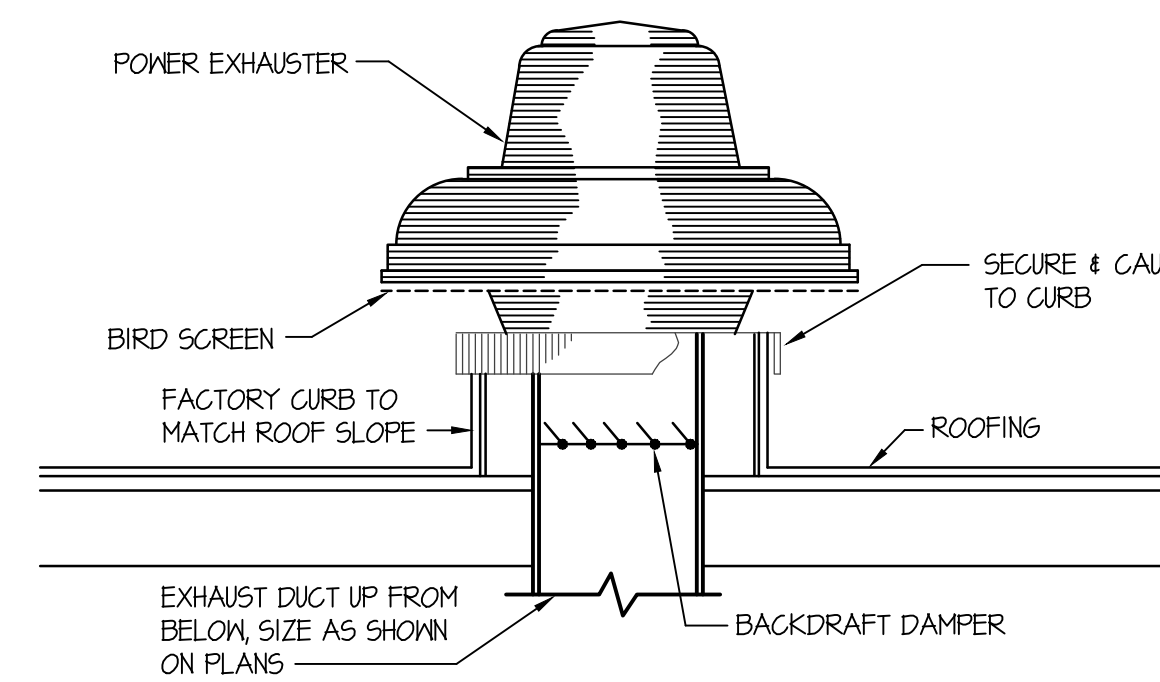
**E RECTANGULAR DUCT CONNECTION**

NO SCALE



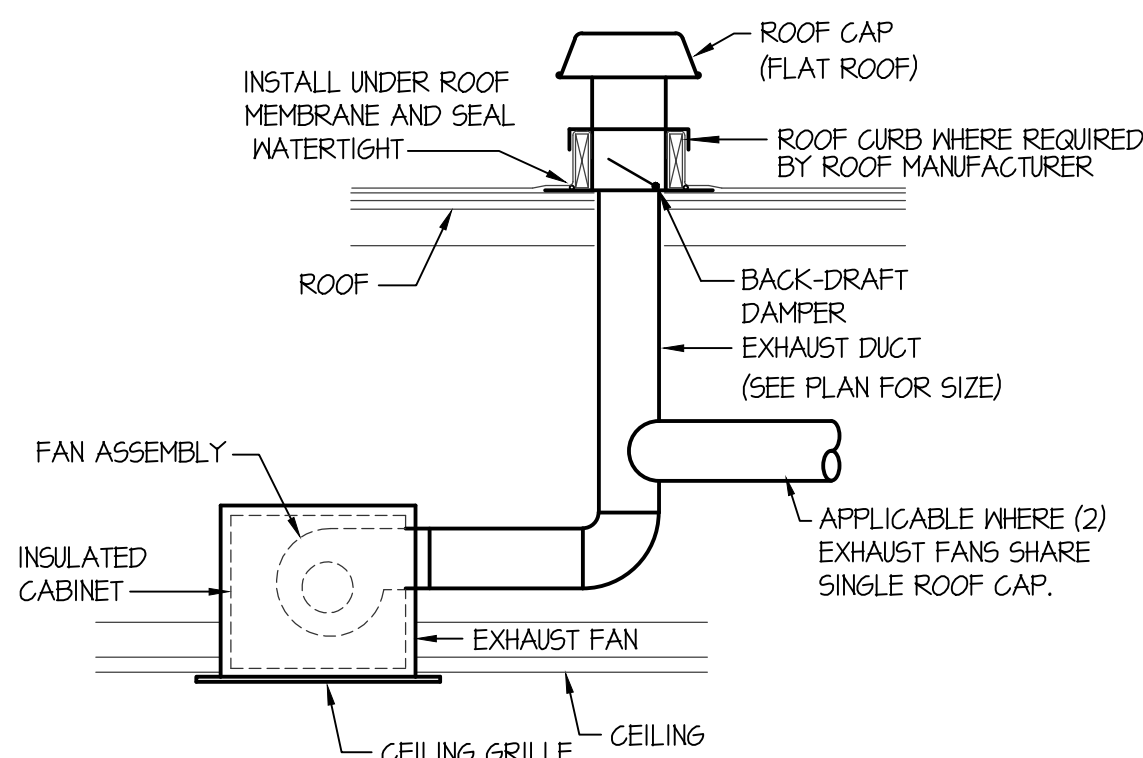
**F PUMP BASE DETAIL**

NO SCALE



**G ROOF MOUNTED EXHAUST FAN**

NO SCALE



**H CEILING MOUNTED EXHAUST FAN**

NO SCALE

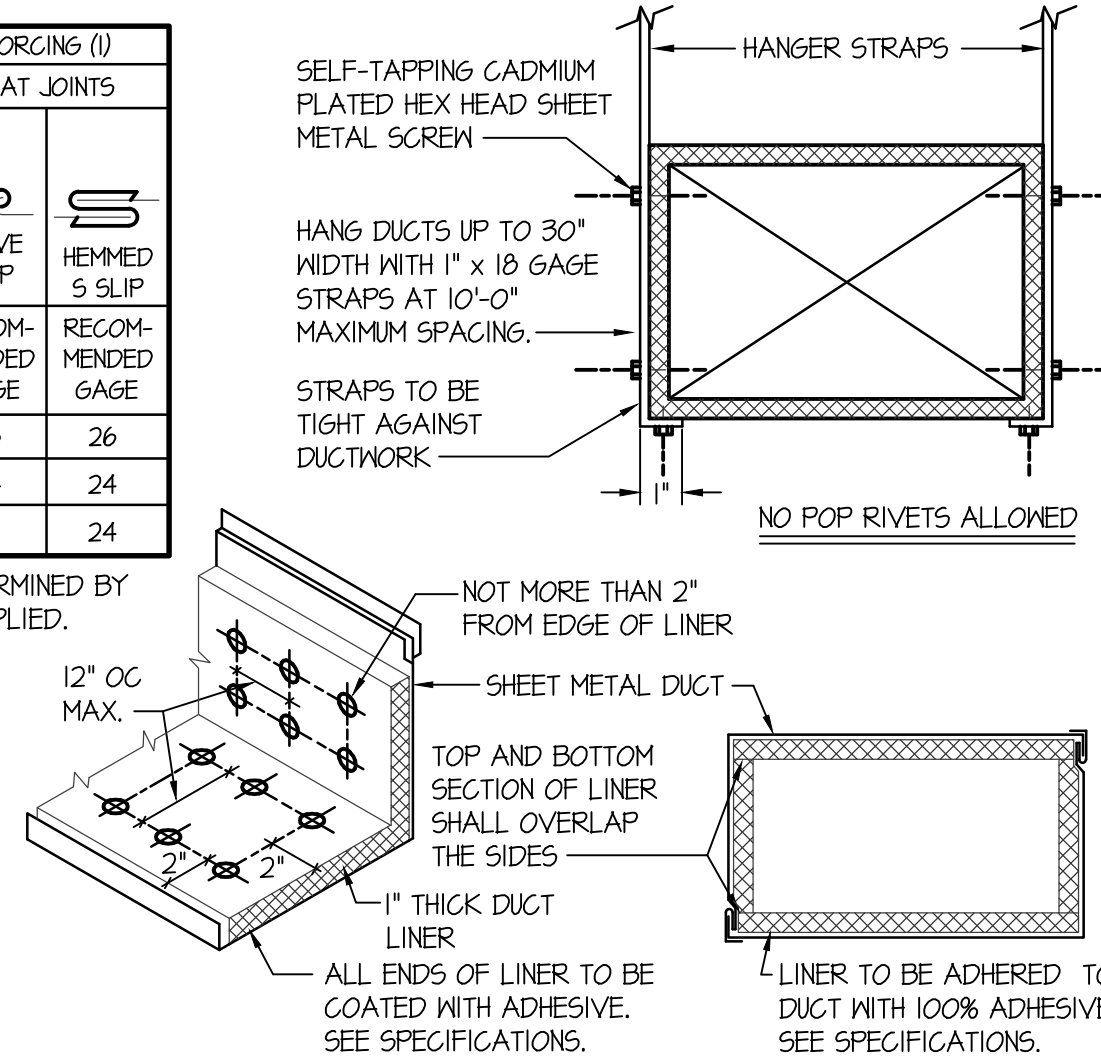
DIMENSION OF LONGEST SIDE, INCHES	SHEET METAL GAGE (ALL FOUR SIDES)	TRANSVERSE REINFORCING (1)	
		MINIMUM REINFORCING ANGLE SIZE AND MAXIMUM LONGITUDINAL SPACING BETWEEN TRANSVERSE JOINTS 4\"/>	
UP THRU 12	26	NONE REQUIRED	26
13 - 18	24	NONE REQUIRED	24
19 - 30	24	1\"/>	

(1) TRANSVERSE REINFORCING SIZE IS DETERMINED BY DIMENSION OF SIDE TO WHICH ANGLE IS APPLIED.

METAL FASTENERS - O-MARK INSULPINS, DURO DYNE FASTENERS OR GRIPNAILS.

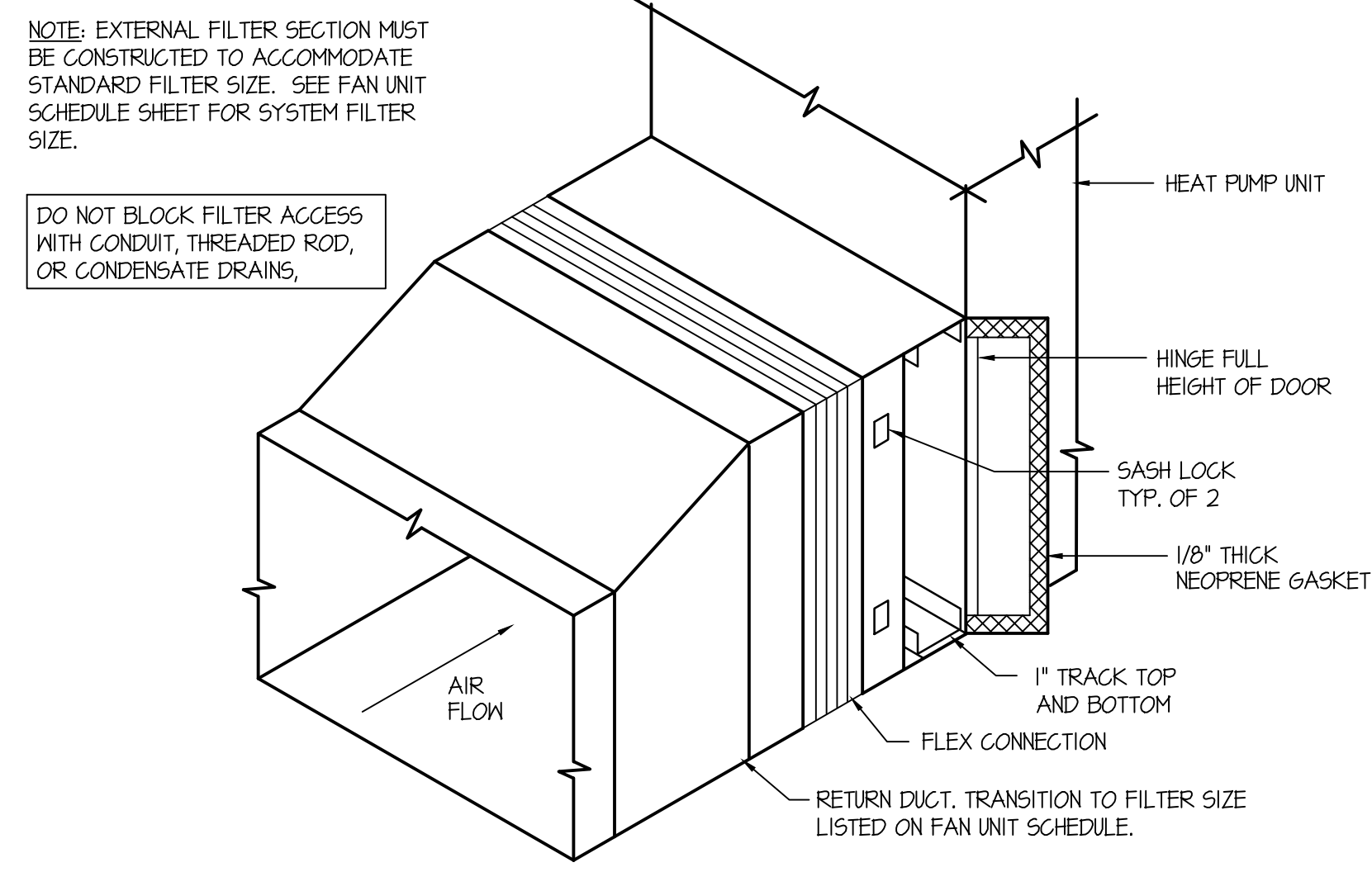
GRIP NAILS SHALL BE INSTALLED BY GRIPNAIL AIR HAMMER OR BY AUTOMATIC FASTENER EQUIP.

ENDS OF LINER SHALL BE BUTTED FIRMLY TOGETHER



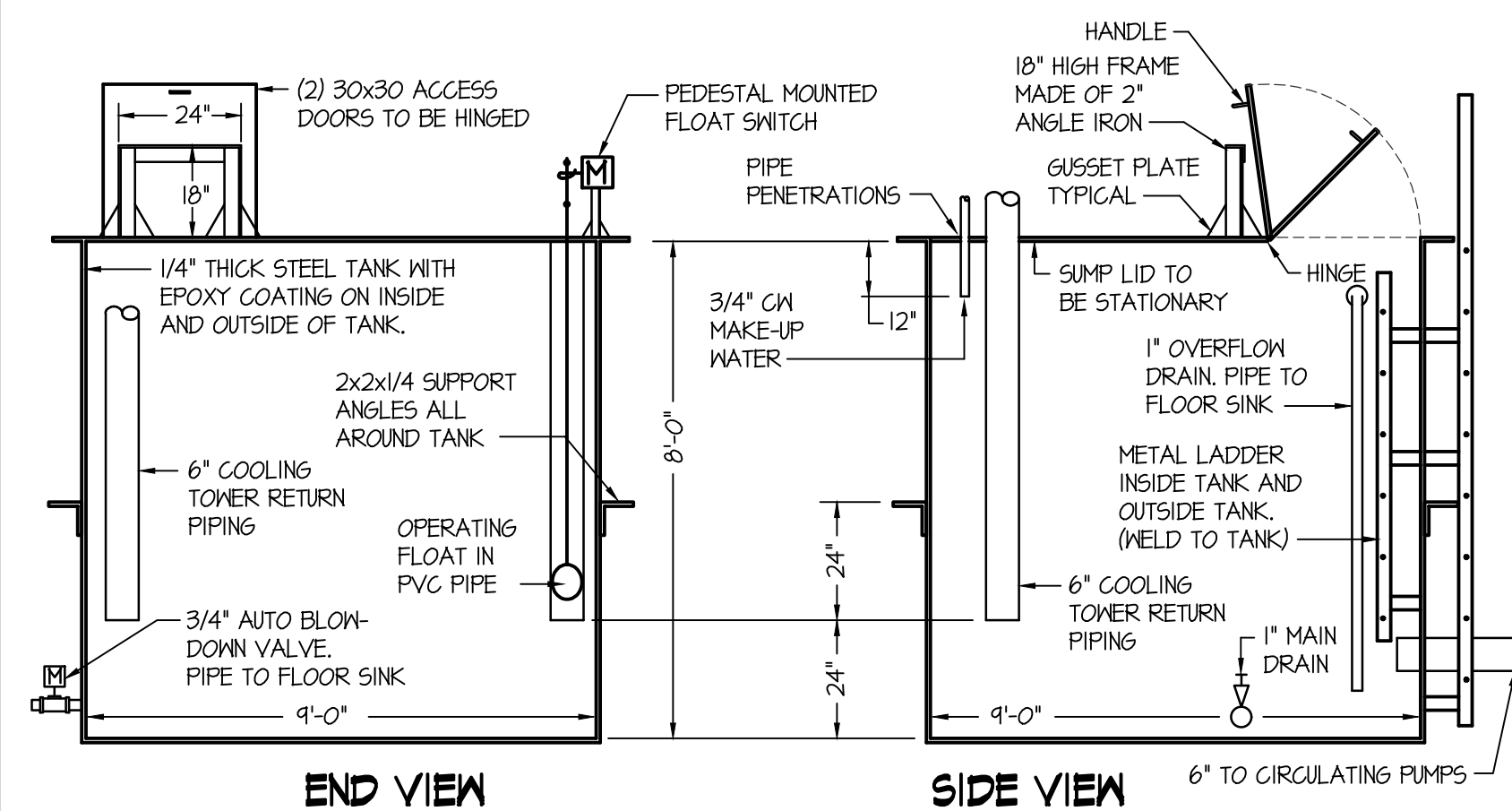
**J DUCT CONSTRUCTION AND HANGER DETAILS**

NO SCALE



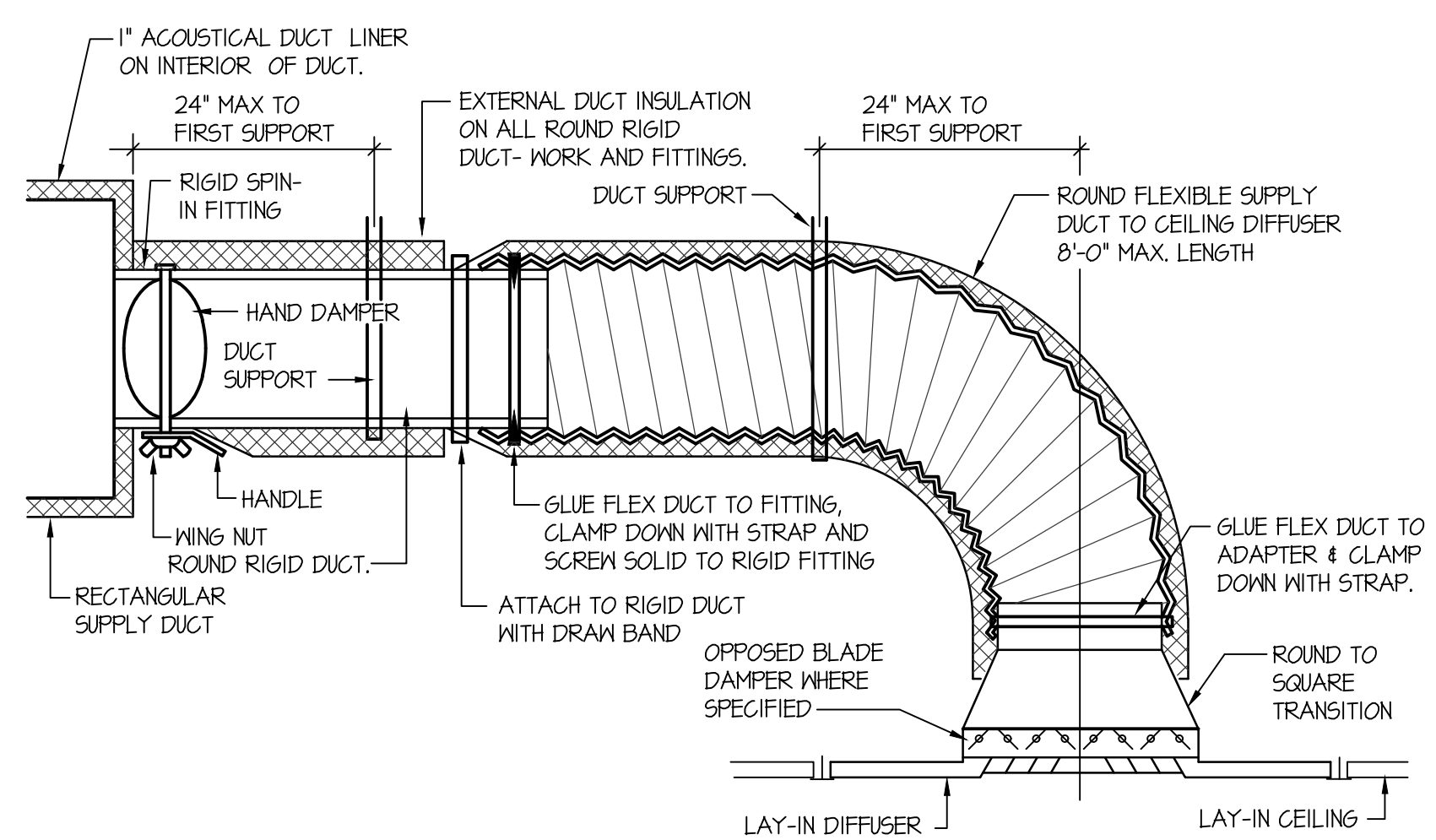
**K FILTER RACK DETAIL**

NO SCALE



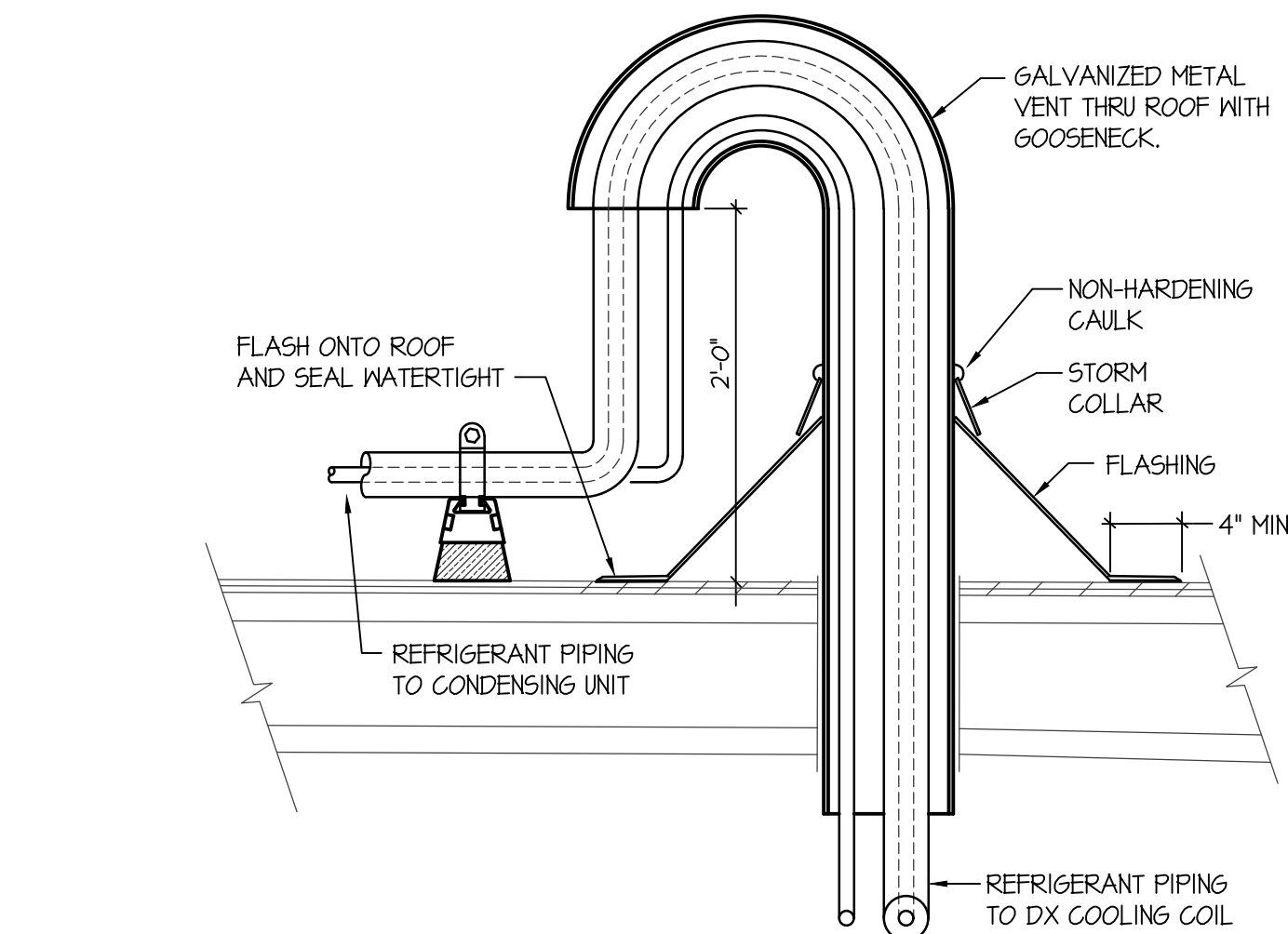
**L COOLING TOWER SUMP CONSTRUCTION DETAIL**

NO SCALE



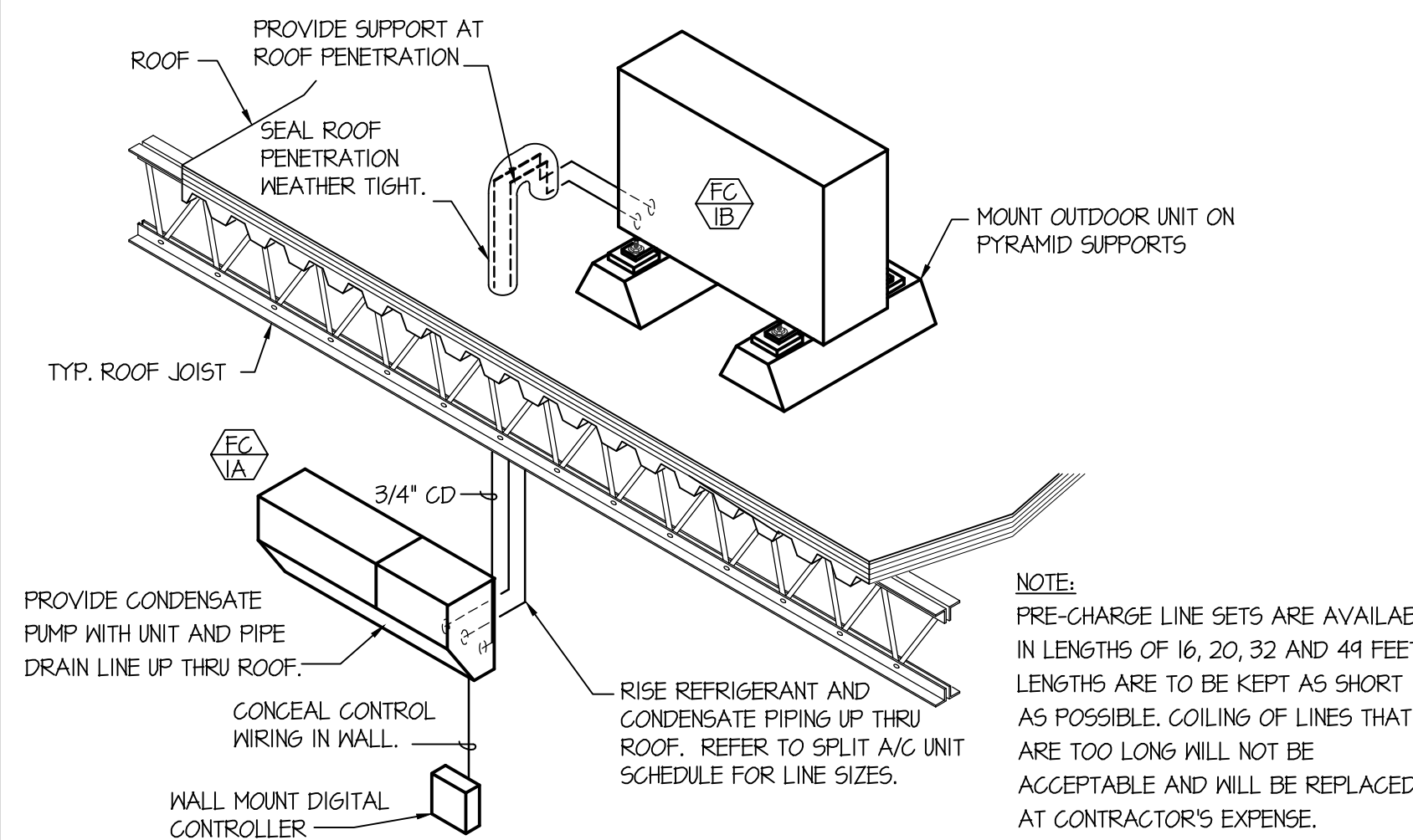
**M CEILING DIFFUSER DETAIL WITH FLEXIBLE DUCT**

NO SCALE



**N REFRIGERANT PIPING THRU ROOF DETAIL**

NO SCALE



**O FAN COIL AND REFRIGERANT PIPING DETAIL**

NO SCALE

**CONSULTANTS:**

LANDSCAPE ARCHITECT  
HEWER & ASSOCIATES  
1805 South Woodruff  
Idaho Falls, Idaho 83404  
(208) 528-9504

**CIVIL ENGINEERING**

CONNECT ENGINEERING  
1109 Harrison St.  
Idaho Falls, Idaho 83405  
(208) 681-8590

**STRUCTURAL ENGINEERING**

PROST STRUCTURAL ENGINEERING  
1020 Lincoln Road  
Idaho Falls, Idaho 83401  
(208) 227-8484  
Fax (208) 227-8405

**MECHANICAL ENGINEERING**

ENGINEERED SYSTEMS ASSOC.  
1355 East Center Street  
Pocatello, Idaho 83204  
(208) 233-0501  
Fax (208) 233-0529

**ELECTRICAL ENGINEERING**

PANE ENGINEERING INC.  
1823 East Center St.  
Pocatello, Idaho 83201  
(208) 232-4439  
Fax (208) 232-1435

**REVISION:**

#	DATE	COMMENT

DRAWN BY: M. JENSEN JOB NO: 764

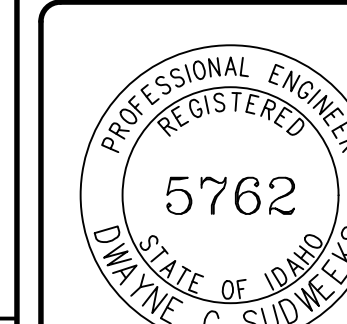
CHECKED BY: D. SUDNEEKS DATE: APR '20

PLOT DATE: Apr 06, 2020

DRAWING NO. M3.1

OF 17

ORIGINAL DRAWING SIGNED BY: DWAYNE C. SUDNEEKS  
DATE ORIGINAL SIGNED: Mar 05, 2020  
ORIGINAL ON FILE AT ENGINEERED SYSTEMS ASSOCIATES  
1355 EAST CENTER, POCATELLO, IDAHO 83201



**Engineered Systems Associates**  
1355 EAST CENTER  
POCATELLO, IDAHO 83201  
PHONE: (208) 233-0501  
FAX: (208) 233-0529  
EMAIL: esa@engsystems.com  
ESA JOB NUMBER: 19099