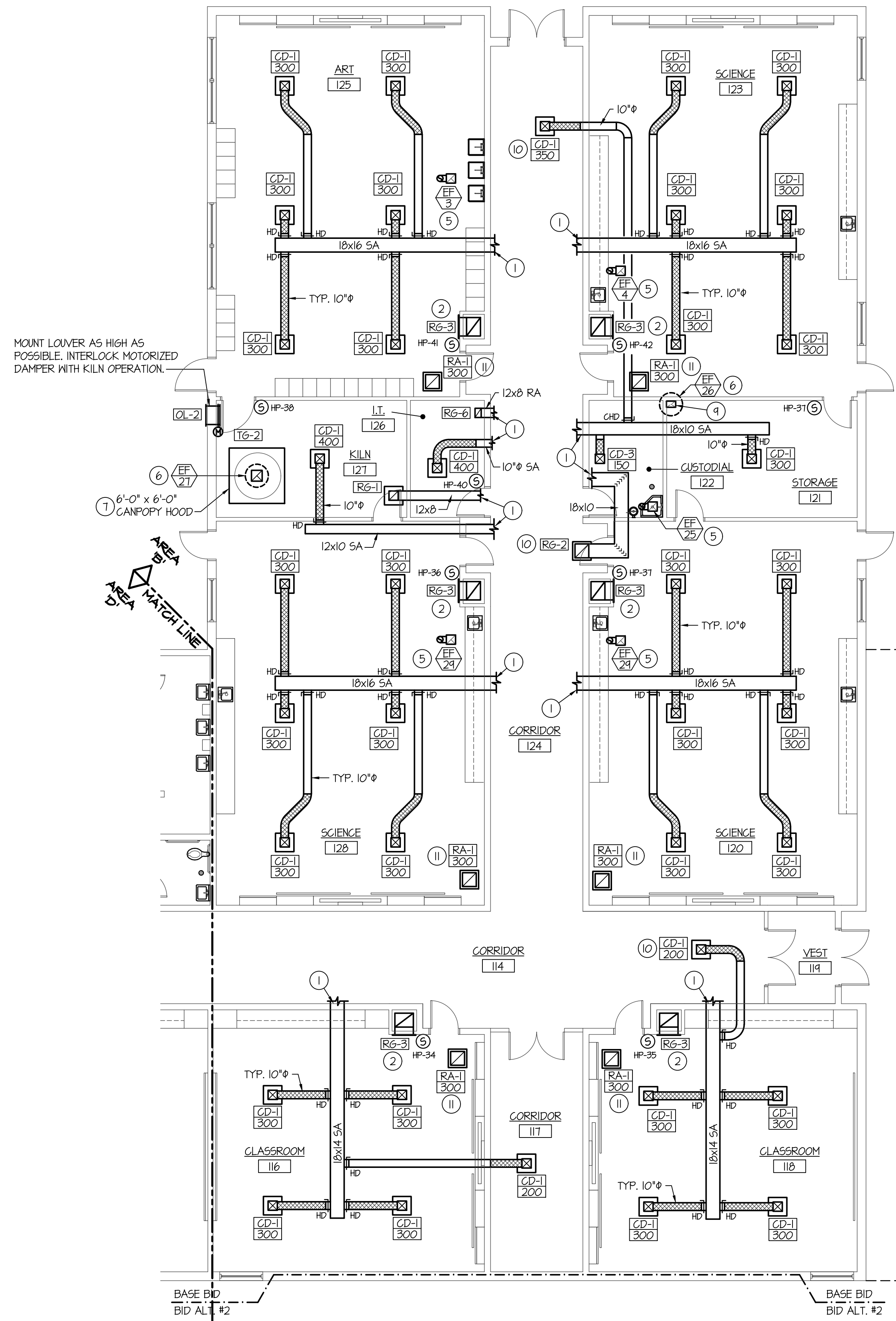
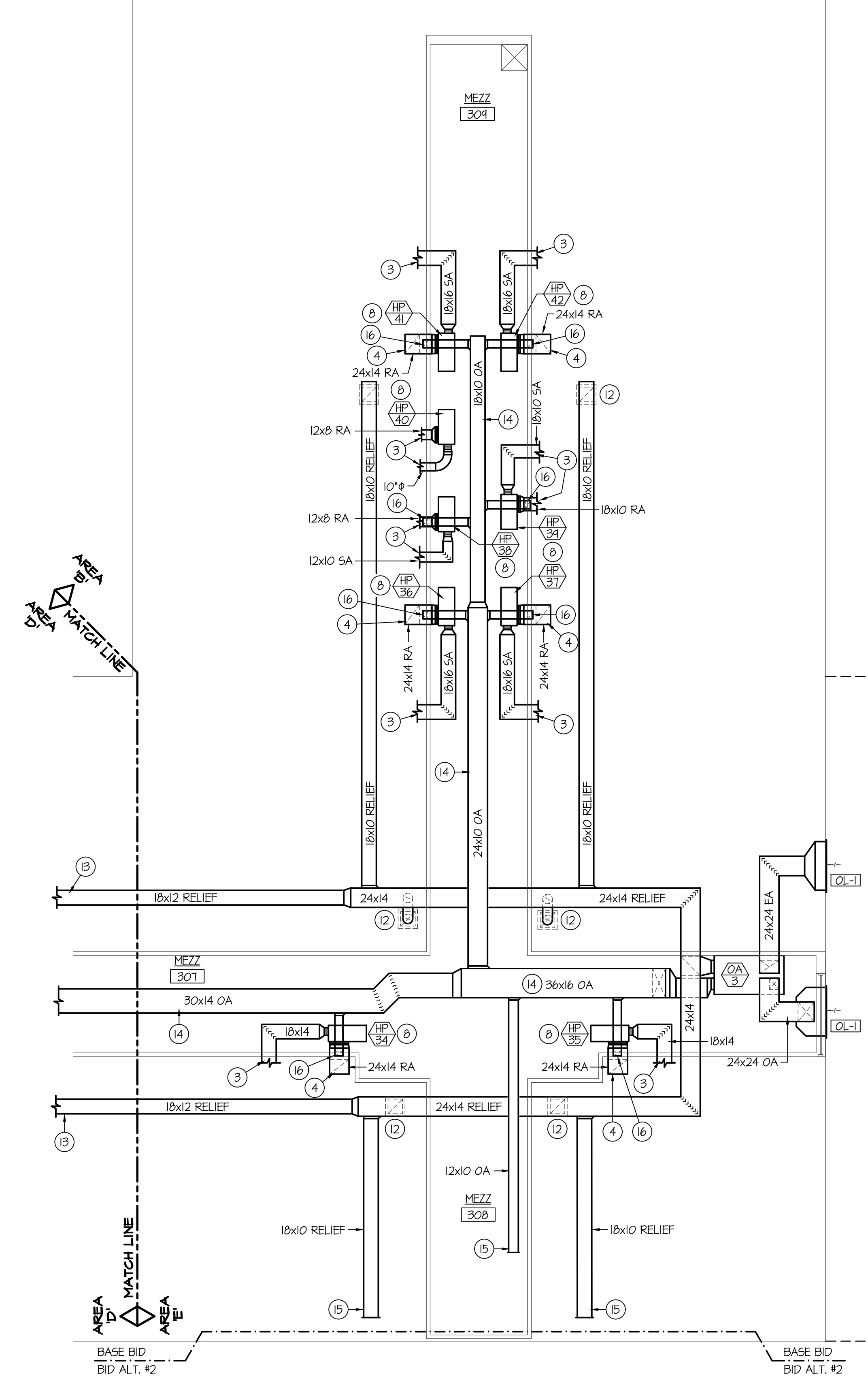


F:\1910049\Sugar_Salem_Jr_High\1910049-MI.5.dwg Apr 06, 2020 - 2:10pm

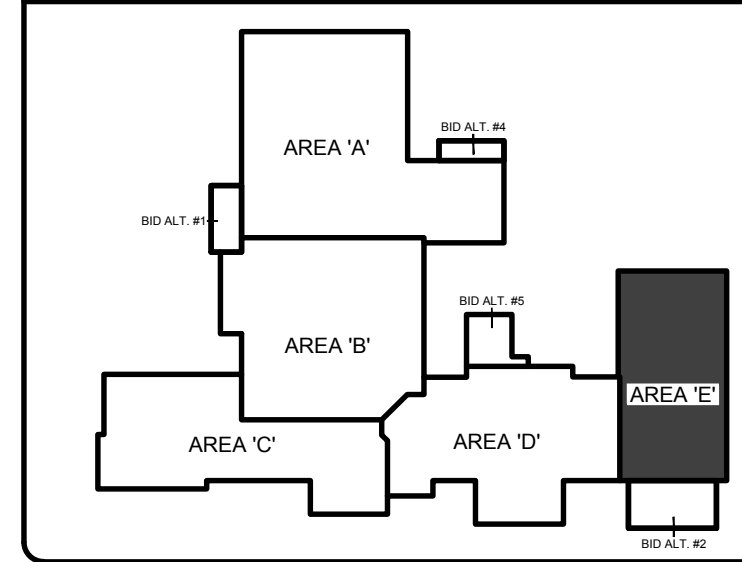


AREA 'E' MECHANICAL FLOOR PLAN
SCALE: 1/8" = 1'-0"



AREA 'E' MEZZANINE MECHANICAL PLAN
SCALE: 1/8" = 1'-0"

KEY PLAN:



- PLAN NOTES:**
- REFER TO MEZZANINE WALKWAY LOCATED (THIS SHEET) FOR CONTINUATION OF DUCTWORK.
 - MOUNT RETURN GRILLE AT 6" ABOVE FLOOR. RISE 24x14 RETURN AIR DUCT UP IN CHASE, REFER TO MEZZANINE WALKWAY FOR CONTINUATION OF DUCT AND CONNECTION TO CORRESPONDING HEAT PUMP.
 - REFER TO FLOOR PLAN (THIS SHEET) FOR CONTINUATION OF DUCTWORK ABOVE ROOMS.
 - DROP 24x14 RETURN AIR DUCT DOWN IN CHASE AND CONNECT TO RETURN GRILLE NEAR FLOOR. REFER TO FLOOR PLAN (THIS SHEET) FOR CONTINUATION.
 - PROVIDE AND INSTALL CEILING MOUNTED EXHAUST FAN AS SPECIFIED. RISE 6" DUCT UP THRU ROOF WITH WEATHER CAP. REFER TO DETAIL HM.3 FOR TYPICAL INSTALLATION.
 - PROVIDE AND INSTALL ROOF MOUNTED EXHAUST FAN AS SPECIFIED. MOUNT ON ROOF CURB WITH BACK-DRAFT DAMPER LOCATED AT ROOF LEVEL. REFER TO DETAIL 6/M.3 FOR TYPICAL INSTALLATION.
 - MECHANICAL CONTRACTOR TO PROVIDE AND INSTALL 6'-0" BY 6'-0" CANOPY HOOD OVER KILN. REFER TO DETAIL HM.3.2 FOR TYPICAL HOOD CONSTRUCTION AND SUPPORT. FIELD VERIFY EXACT LOCATION OF KILN AND ADJUST HOOD LOCATION ACCORDINGLY.
 - PROVIDE AND INSTALL WATER SOURCE HEAT PUMP AS SPECIFIED. MOUNT UNIT ON MEZZANINE PLATFORM WITH 2" HIGH SHEET METAL DRAIN PAN. PROVIDE DUCT TRANSITIONS AS REQUIRED TO CONNECT HEAT PUMP. REFER TO SHEET M1.6 FOR HEAT PUMP PIPING, DROP SUPPLY AND RETURN LINES DOWN AT EACH UNIT LOCATION AND CONNECT WITH 2-WAY AUTOMATIC CONTROL VALVE, SHUT-OFF VALVES AND HOSE KITS. REFER TO DETAIL A-M.3.2 FOR TYPICAL PIPING CONNECTIONS.
 - DROP 12x8 DUCT DOWN IN CORNER OF STORAGE ROOM. PROVIDE 10x8 GRILLE IN DUCT AT 6" BELOW CEILING AND AT 6" ABOVE FLOOR. REFER TO DETAIL EM.3.2 FOR TYPICAL INSTALLATION.
 - ALL GRILLES IN CORRIDOR CEILINGS TO HAVE FIRE DAMPER AT GRILLE. CONNECT TO FIRE ALARM SYSTEM.
 - INSTALL RELIEF AIR GRILLE IN CEILING AS SPECIFIED. REFER TO MEZZANINE MECHANICAL PLAN (THIS SHEET) FOR DUCTWORK CONNECTED TO GRILLE. BALANCE TO CFM AS SHOWN.
 - RUN RELIEF AIR DUCT AS HIGH AS POSSIBLE IN CEILING SPACE. DROP 12" FLEXIBLE DUCT DOWN AND CONNECT TO CEILING MOUNTED GRILLE. PROVIDE BALANCING DAMPER IN ROUND DUCT AND BALANCE TO CFM AS INDICATED ON FLOOR PLAN.
 - SEE SHEET M1.4 FOR CONTINUATION OF DUCTWORK.
 - RUN OUTSIDE AIR DUCT AS HIGH AS POSSIBLE ABOVE MEZZANINE WALKWAY.
 - CAP DUCTWORK FOR FUTURE CONNECTION. (SEE SHEET 1.2.)
 - DROP 10x6 OUTSIDE AIR DUCT DOWN AND CONNECT TO RETURN AIR DUCT NEAR UNIT. PROVIDE MOTORIZED DAMPER, DUCT ACCESS DOOR, AND MANUAL BALANCING DAMPER IN EACH DUCT TO HEAT PUMP SCHEDULE FOR REQUIRED CFM TO EACH HEAT PUMP. REFER TO DETAIL EM.3.1 FOR TYPICAL DAMPER INSTALLATION.

BID SET

BRENT A. MCFARLAND AR-2561

STATE OF IDAHO

IRWA ASSOCIATES
1152 BOND AVENUE - SUITE A REBERG, IDAHO 83440
WWW.IRWACOM VOICE (208) 358-2309 FAX (208) 358-2271

CONSULTANTS:

LANDSCAPE ARCHITECT
LANSING ARCHITECT
1605 South Woodruff
Idaho Falls, Idaho 83404
(208) 528-9504

CIVIL ENGINEERING
CONNECT ENGINEERING
1100 Halpin Dr.
Idaho Falls, Idaho 83405
(208) 981-8590

STRUCTURAL ENGINEERING
PROST STRUCTURAL ENGINEERING
1020 Lincoln Road
Idaho Falls, Idaho 83401
(208) 227-8464
Fax (208) 227-8405

MECHANICAL ENGINEERING
ENGINEERED SYSTEMS ASSOC.
1335 East Center Street
Pocatello, Idaho 83204
(208) 233-0501
Fax (208) 233-0529

ELECTRICAL ENGINEERING
PANE ENGINEERING INC.
1833 East Center St.
Pocatello, Idaho 83201
(208) 232-4430
Fax (208) 232-1435

PROJECT: **SUGAR - SALEM JUNIOR HIGH SCHOOL**

SUGAR CITY IDAHO

DRAWING TITLE: **MECHANICAL FLOOR PLAN - AREA 'E'**

REVISION:

#	DATE	COMMENT

DRAWN BY: M. JENSEN JOB NO: 764

CHECKED BY: D. SUDNEEKS DATE: APR '20

PLOT DATE: Apr 06, 2020

DRAWING NO. FILE: 1910049-MI.5.dwg

M1.5

OF 17

ORIGINAL DRAWING SIGNED BY: DWAYNE C. SUDNEEKS
DATE ORIGINAL SIGNED: Mar 05, 2020
ORIGINAL ON FILE AT ENGINEERED SYSTEMS ASSOCIATES
1355 EAST CENTER, POCATELLO, IDAHO 83201

Professional Engineer
REGISTERED
5762
STATE OF IDAHO
DWAYNE C. SUDNEEKS

Engineered Systems Associates
1355 EAST CENTER
POCATELLO, IDAHO 83201
PHONE: (208) 233-0501
FAX: (208) 233-0529
EMAIL: esa@engsystems.com
ESA JOB NUMBER: 19099