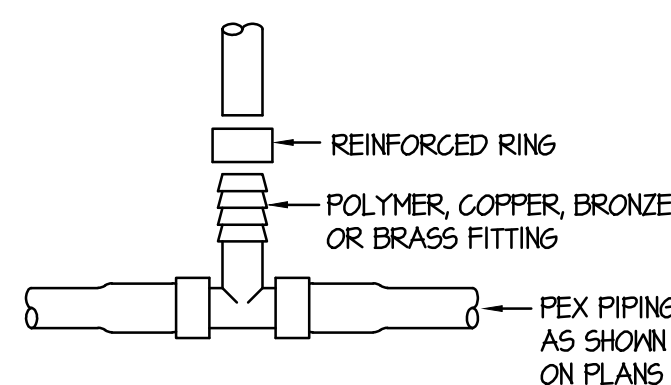
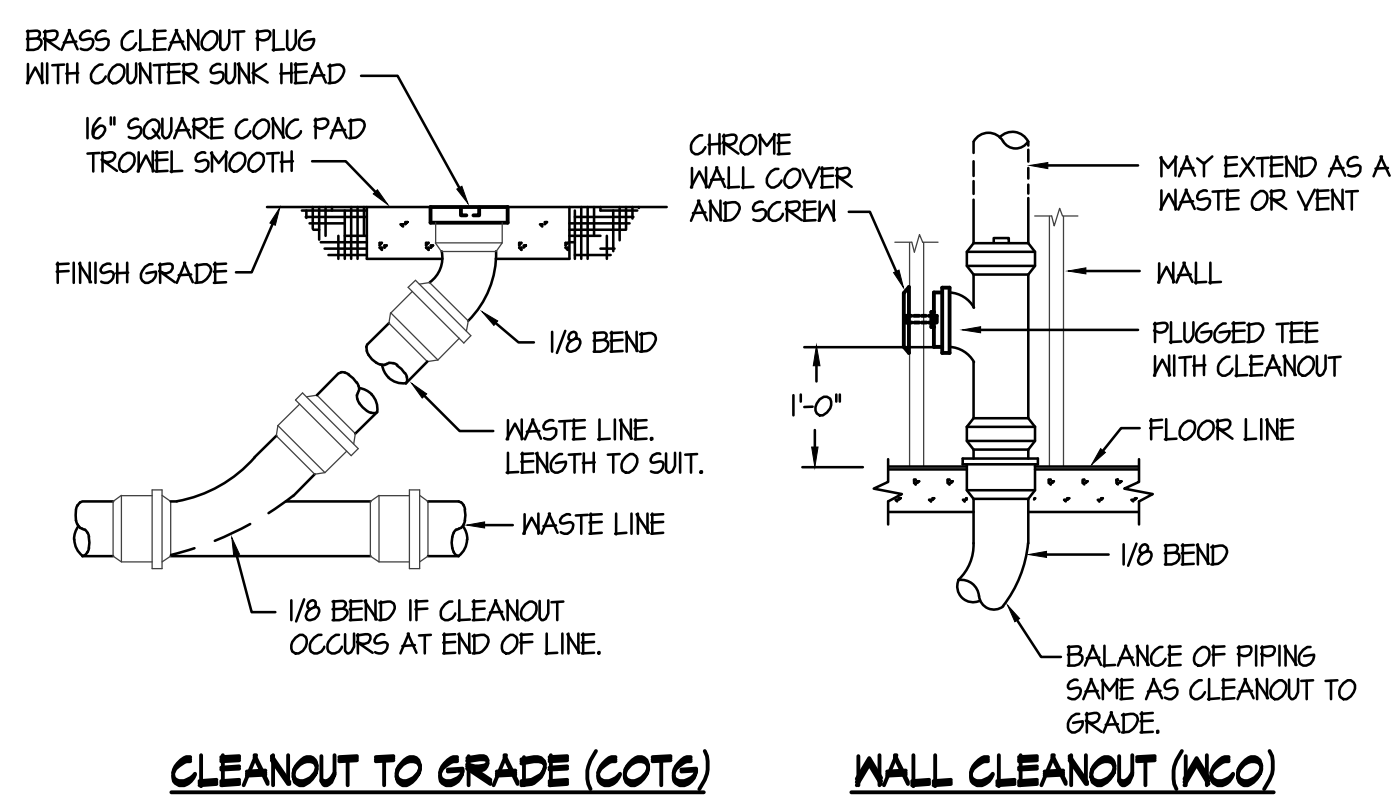


THIS TYPE (COLD EXPANSION) OF FITTING REQUIRES THAT THE PEX PIPING, WITH REINFORCING PEX RING PLACED OVER THE END OF THE PIPE, IS EXPANDED BEFORE THE FITTING IS INSERTED INTO THE PIPE END. THE EXPANDED PIPE END IS ALLOWED TO RETRACT ONTO THE FITTING TO FORM THE SEAL. THE MEMORY OF THE PIPE ALLOWS IT TO TIGHTEN OVER THE FITTING. AN EXPANDER TOOL IS REQUIRED TO EXPAND THE PIPE AND THE PEX RING TOGETHER.

ALL JOINTS (TEES, ELBOWS, COUPLINGS, ETC.) ARE JOINTED SIMILARLY.

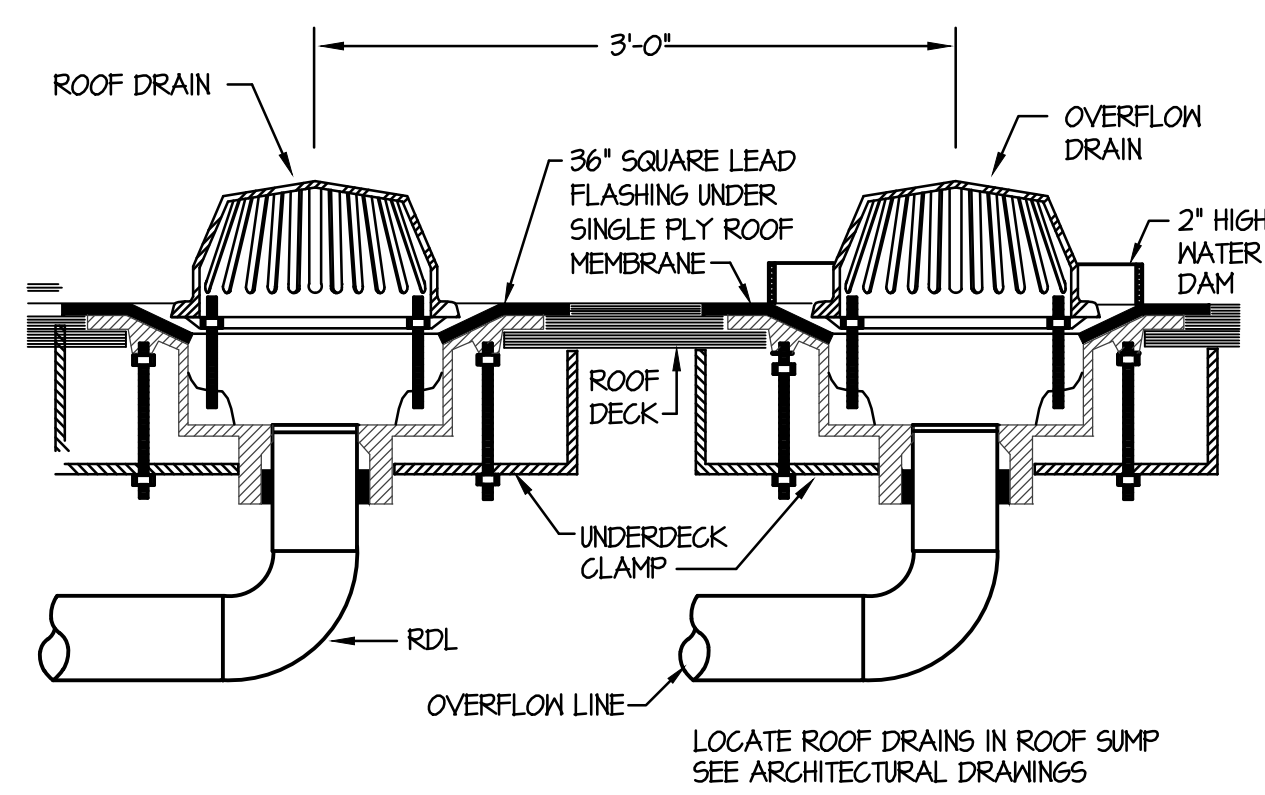


NOTE: STAINLESS STEEL CAMP BANDS ARE ALSO PERMITTED FOR REINFORCING RING.

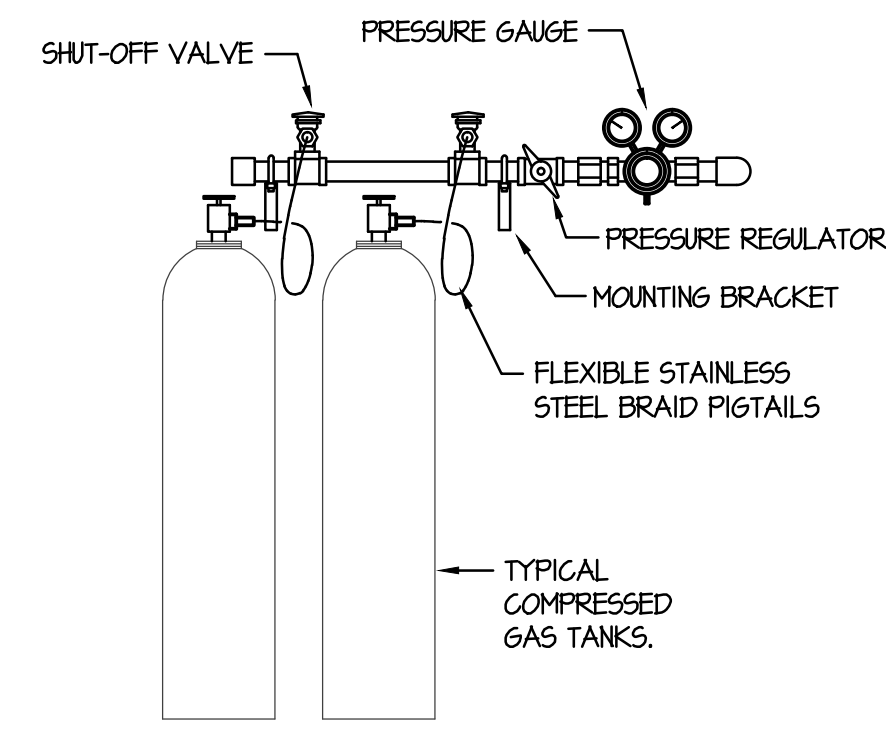


CLEANOUT TO GRADE (COTG)

WALL CLEANOUT (WCO)



ROOF DRAIN DETAIL



COMPRESSED GAS TANK MANIFOLD

PEX PIPE FITTING DETAIL

NO SCALE

CLEAN OUT DETAILS

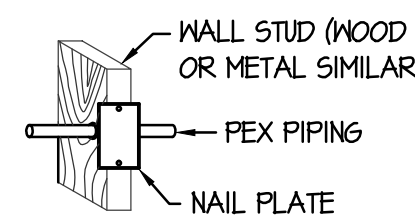
NO SCALE

ROOF DRAIN DETAIL

NO SCALE

COMPRESSED GAS TANK MANIFOLD

NO SCALE



WALL INSTALLATION

PIPE SUPPORTS: PLASTIC HANGERS AND STRAPS ARE RECOMMENDED, BUT METAL SUPPORTS WHICH ARE DESIGNED FOR USE WITH PLASTIC TUBING CAN BE USED.

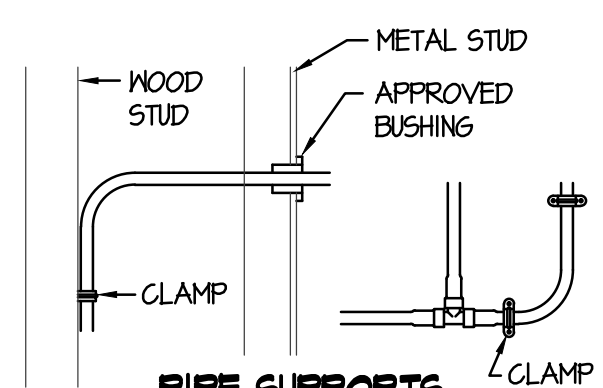
DO NOT USE SUPPORTS THAT PINCH OR CUT THE TUBING. SUPPORT SHOULD ALLOW FREE TUBING MOVEMENT.

INSPECT ALL SUPPORTS PRIOR TO INSTALLATION TO ENSURE THAT SHARP EDGES DO NOT EXIST THAT CAN DAMAGE THE TUBING.

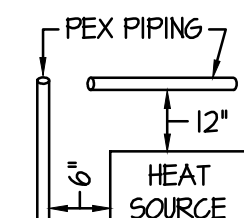
DO NOT USE IN ANY APPLICATION WHERE TUBING WILL BE EXPOSED TO DIRECT SUNLIGHT.

VERTICAL TUBING TO BE SUPPORTED EVERY 8'-0" WHEN PENETRATING METAL STUDS, UTILIZE A BUSHING DESIGNED FOR PLASTIC TUBING.

SUPPORTS SHALL BE INSTALLED AT CHANGES IN DIRECTION TO RELIEVE STRESS AS SHOWN.



PIPE SUPPORTS

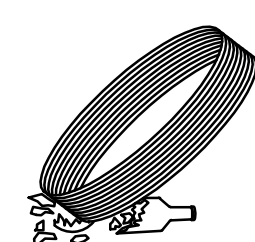


MIN. CLEARANCES

TUBING SIZE	MIN. RADIUS BENDING
3/8"	4"
1/2"	5"
3/4"	7"
1"	9"



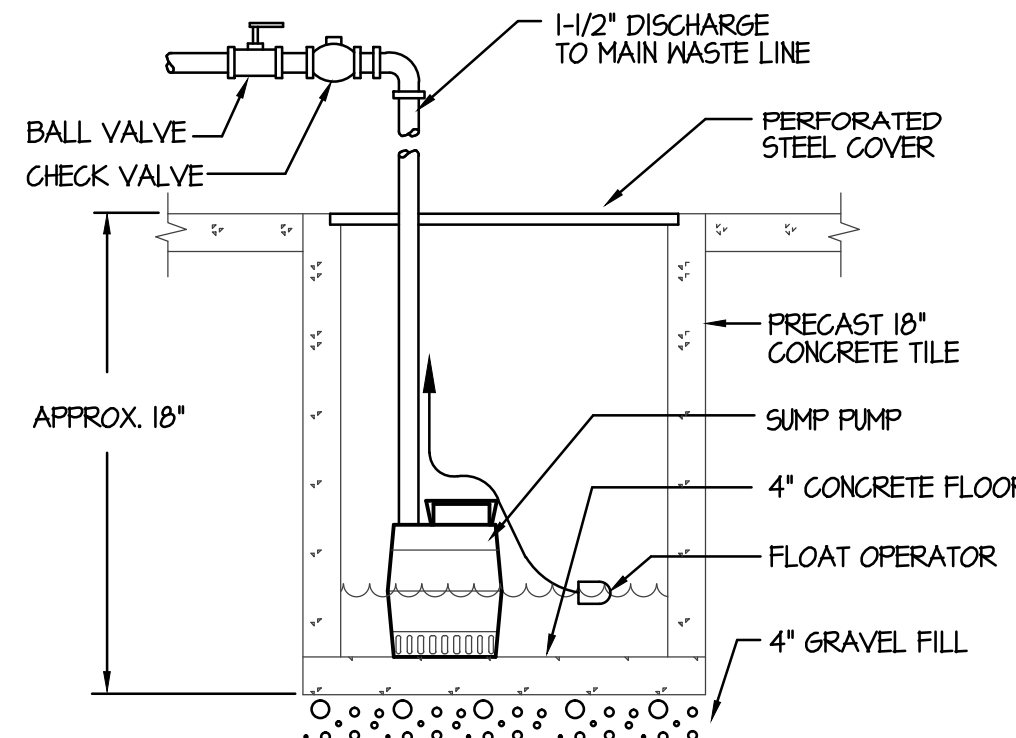
DO NOT CRUSH OR KINK TUBING



DO NOT DRAG TUBING OVER ROUGH TERRAIN, ROCKS, OR ANY SURFACE THAT CAN CUT, PUNCTURE OR DAMAGE TUBING WALL.

TUBING AND FITTINGS SHALL BE STORED UNDERCOVER FOR CLEANLINESS AND TO AVOID EXPOSURE TO SUNLIGHT. CONSULT MANUFACTURER FOR RECOMMENDED LIMITS TO OUTSIDE STORAGE.

NOTE: USE ONLY CONTINUOUS LENGTH TUBING (NO FITTINGS) WHEN INSTALLING PEX UNDER OR WITHIN A SLAB. PROTECT PEX TUBING WITH NONMETALLIC SLEEVES WHERE IT PENETRATES A SLAB OR FOUNDATION WALL.



SUMP PUMP DETAIL

NO SCALE

EXTERIOR HOSE BIBB DETAIL

NO SCALE

PEX PIPE INSTALLATION DETAIL

NO SCALE

PEX PIPE HANDLING DETAILS

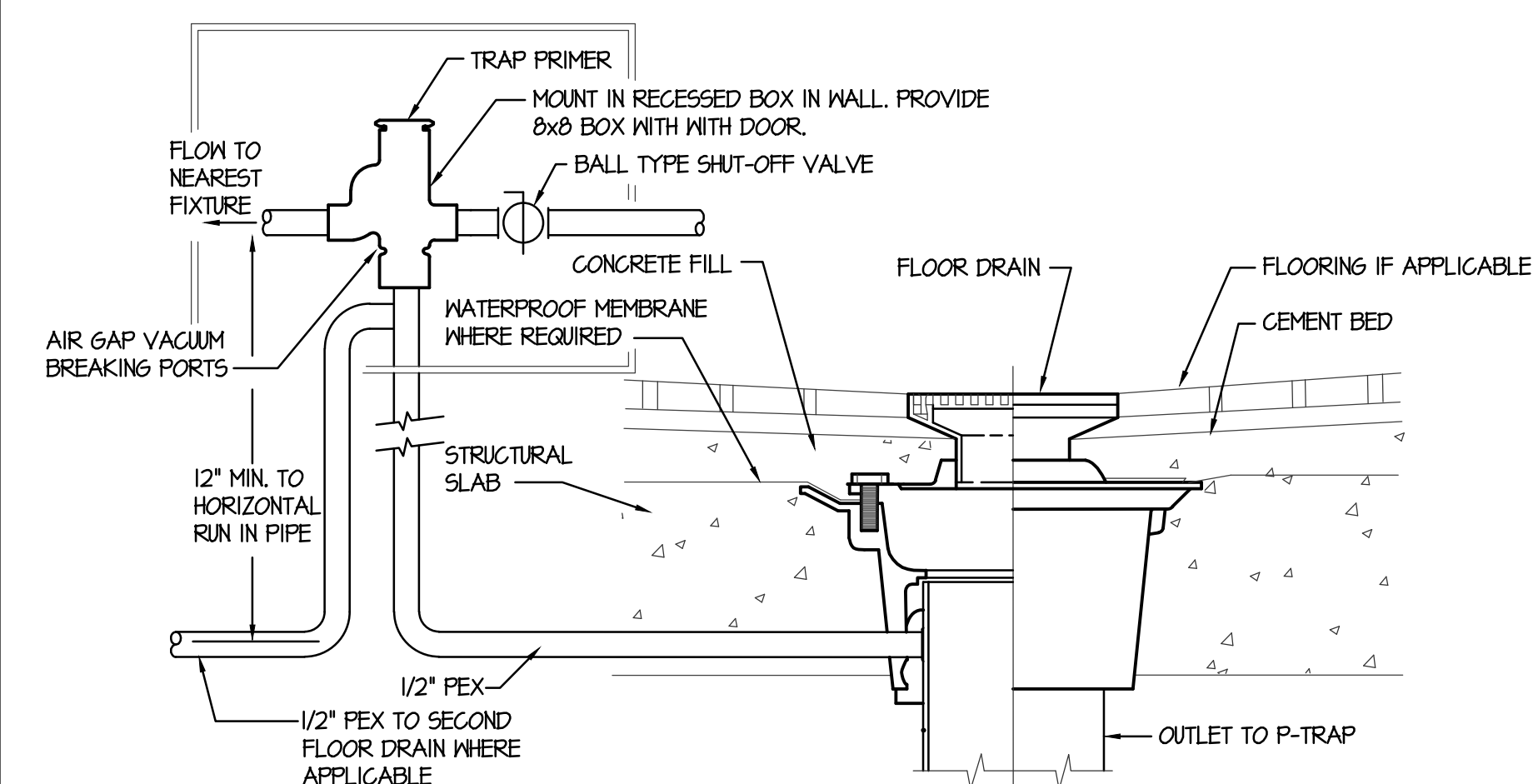
NO SCALE

SUMP PUMP DETAIL

NO SCALE

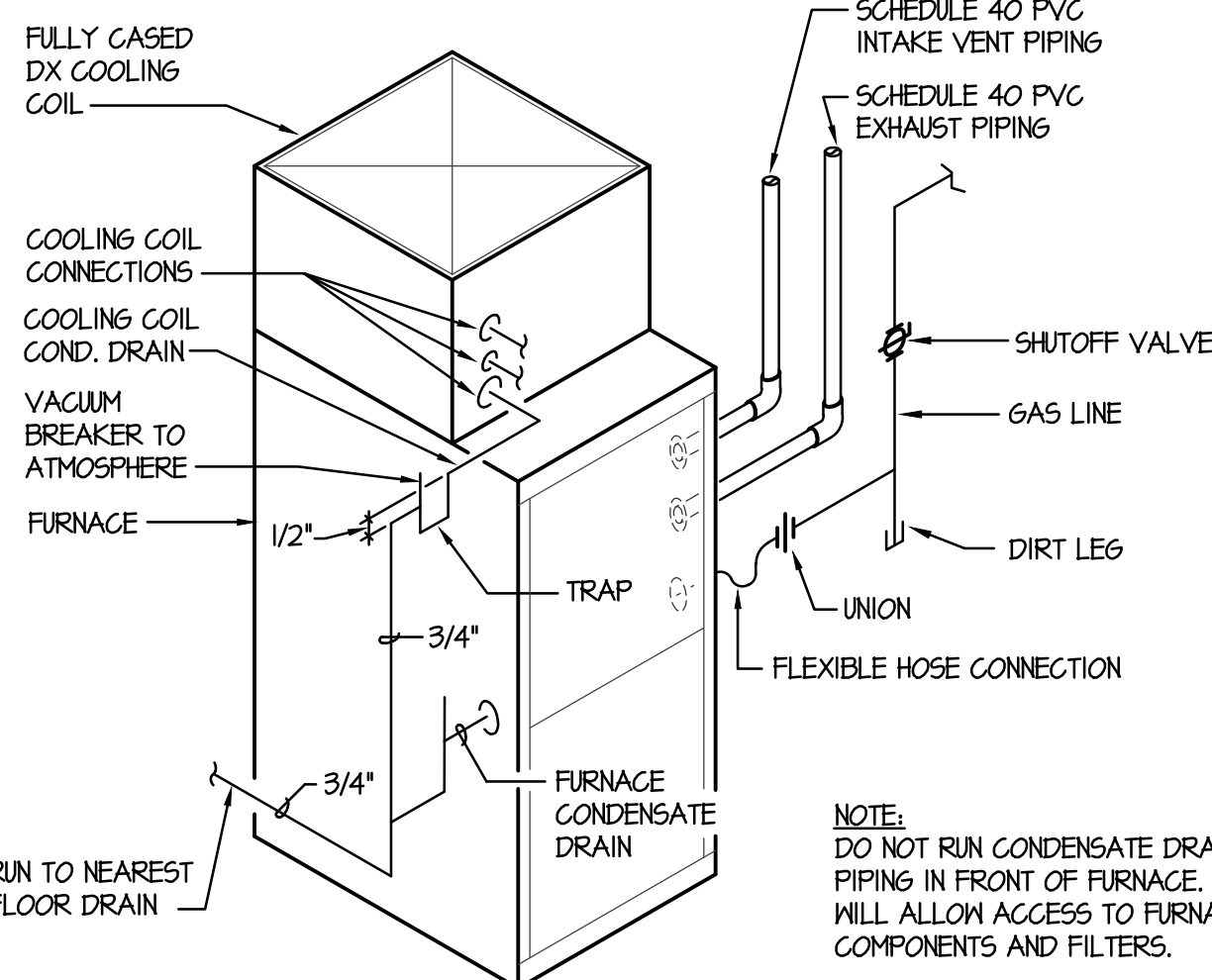
EXTERIOR HOSE BIBB DETAIL

NO SCALE



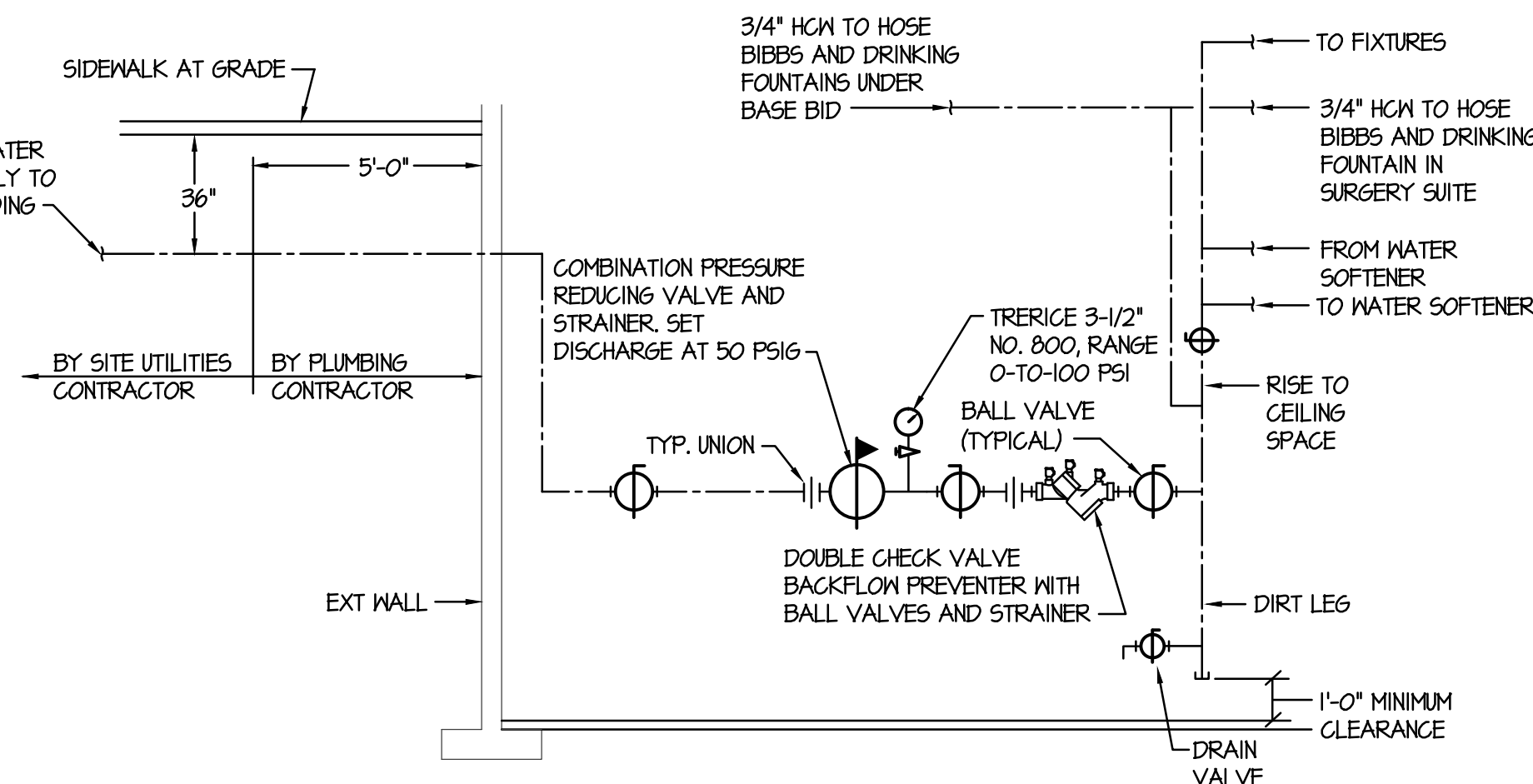
TRAP PRIMER DETAIL

NO SCALE



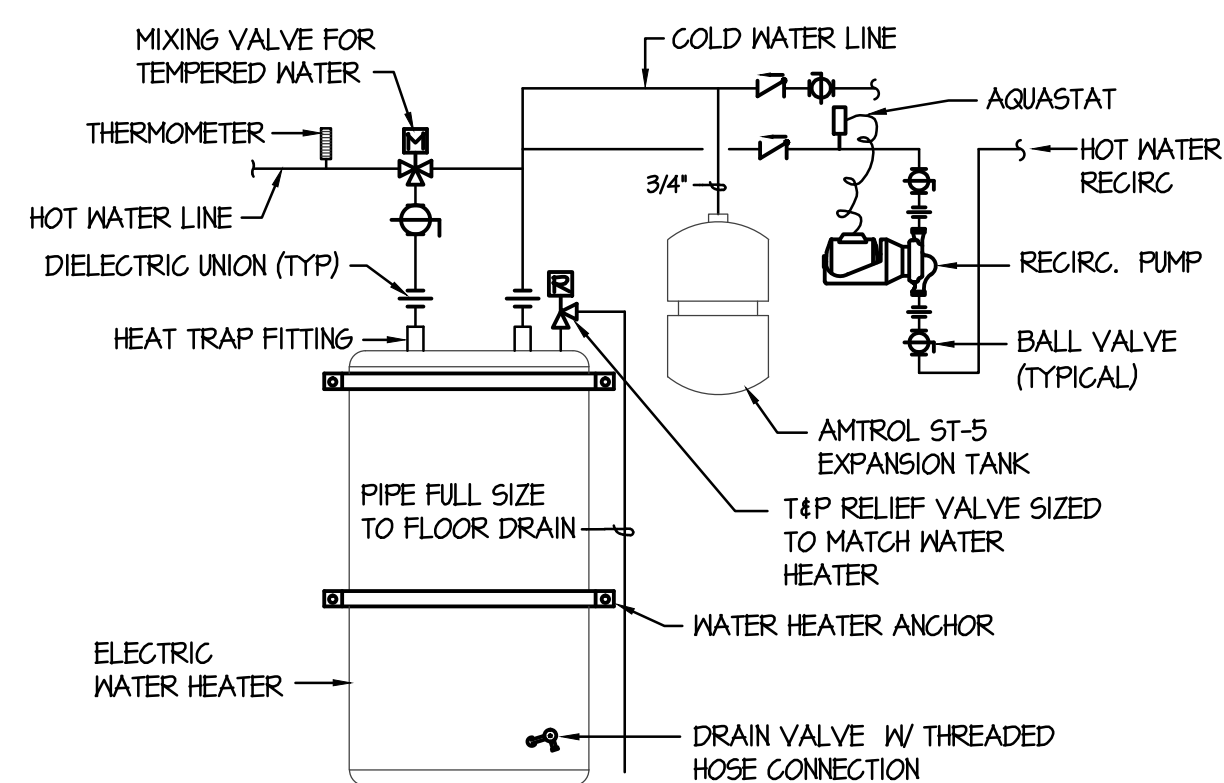
FURNACE PIPING DETAIL

NO SCALE



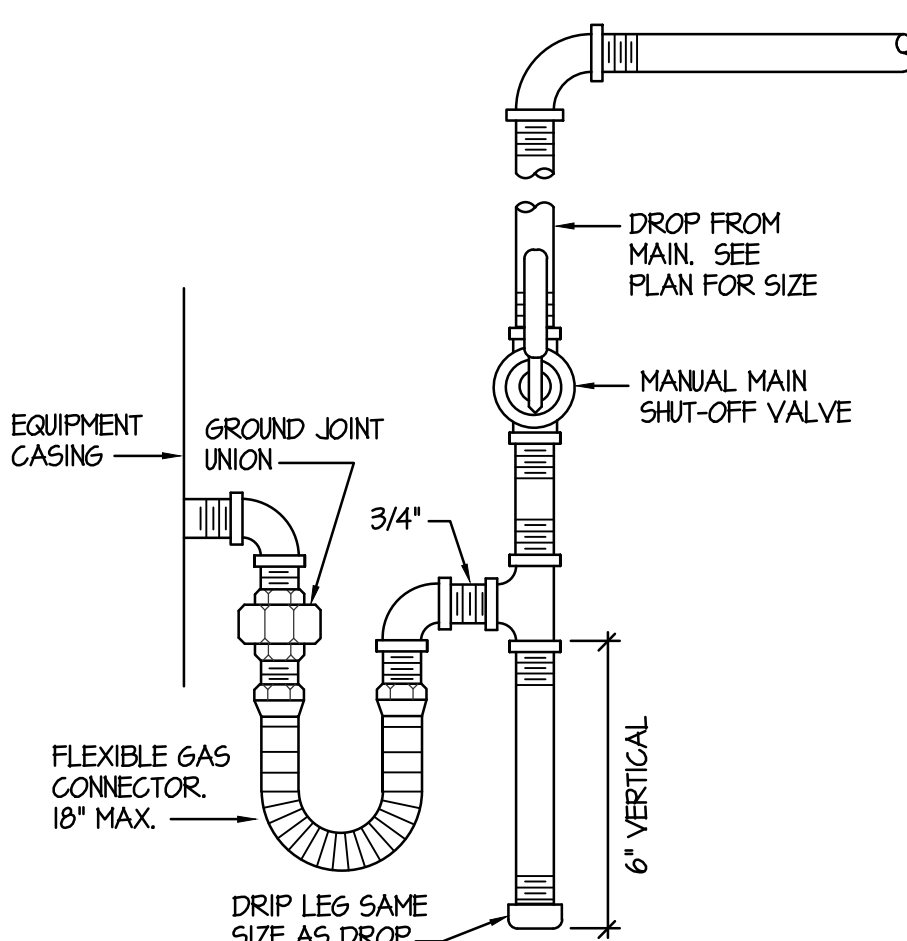
WATER PRESSURE REDUCING STATION DETAIL

NO SCALE



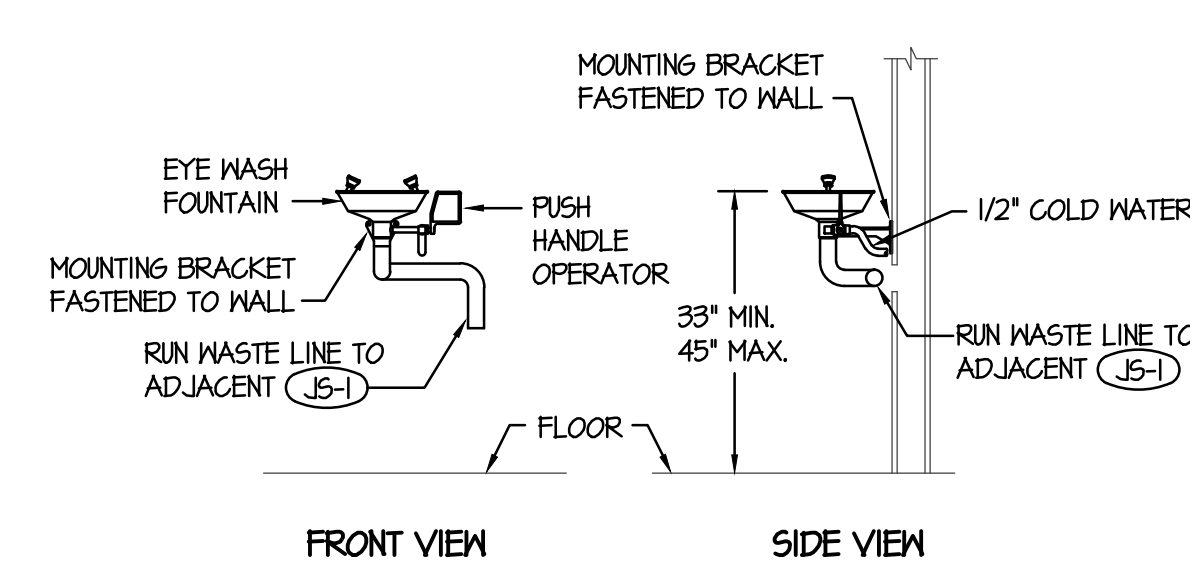
WATER HEATER PIPING DETAIL

NO SCALE



GAS LINE CONNECTION DETAIL

NO SCALE



EMERGENCY EYEWASH

NO SCALE

BRENT A. MCFARLAND AR-2561

STATE OF IDAHO

**IRVA ASSOCIATES**  
1152 BOND AVENUE - Suite A REBURG, IDAHO 83440  
WWW.IRVA.COM VOICE (208) 359-2309 FAX (208) 359-2271

CONSULTANTS:

STRUCTURAL ENGINEERING  
FROST STRUCTURAL ENGINEERING  
1020 Lincoln Road  
Idaho Falls, Idaho 83401  
(208) 227-8404  
Fax (208) 227-8405  
MECHANICAL ENGINEERING  
ENGINEERED SYSTEMS ASSOC.  
1355 East Center  
Pocatello, Idaho 83201  
(208) 233-0501  
Fax (208) 233-0529  
ELECTRICAL ENGINEERING  
PAYNE ENGINEERING INC.  
1823 E. Center St  
Pocatello, Idaho 83201  
(208) 232-4439  
Fax (208) 232-1435

DR. JOSEPH R. FULLMER  
MEDICAL OFFICE BUILDING  
PROPERTIES, LLC  
REBURG, IDAHO

DRAWING TITLE:  
**PLUMBING DETAILS**

REVISION:

#	DATE	COMMENT

DRAWN BY: M THIEL JOB NO: 1931

CHECKED BY: M JENSEN DATE: AUGUST 2014

PLOT DATE: Aug 19, 2014

DRAWING NO. 1934-P3.1.dwg OF FIVE

ORIGINAL DRAWING SIGNED BY: WYNNE C. SUDNEEKS  
DATE ORIGINAL SIGNED: 8/19/2014  
ORIGINAL ON FILE NUMBER: 1934-P3.1.dwg  
1935 EAST CENTER POCA TELLO, IDAHO 83201  
PHONE: (208) 233-0501  
FAX: (208) 233-0529  
EMAIL: eso@engsystems.com  
ESA JOB NUMBER: 19034

**PRELIMINARY**  
**PROFESSIONAL ENGINEER**  
**REGISTERED**  
**STATE OF IDAHO**  
**WYNNE C. SUDNEEKS**  
Engineered Systems Associates  
1355 EAST CENTER  
POCA TELLO, IDAHO 83201  
PHONE: (208) 233-0501  
FAX: (208) 233-0529  
EMAIL: eso@engsystems.com  
ESA JOB NUMBER: 19034