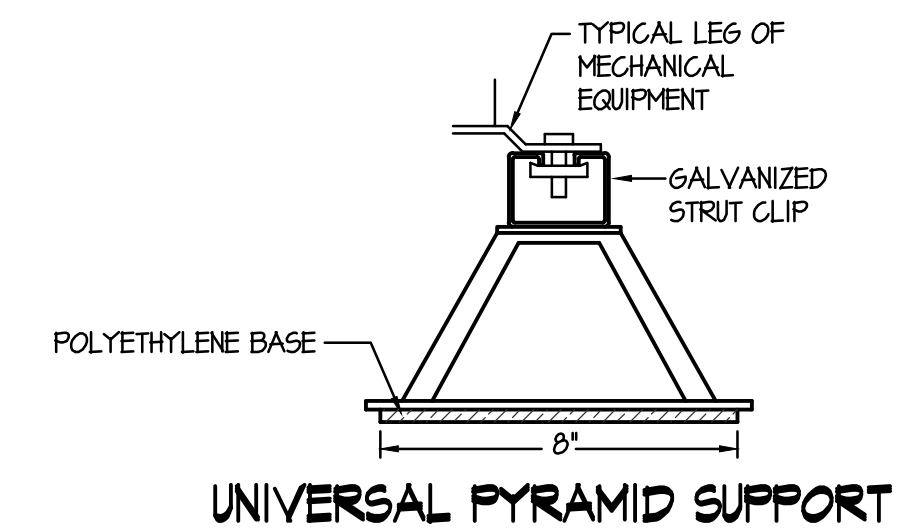


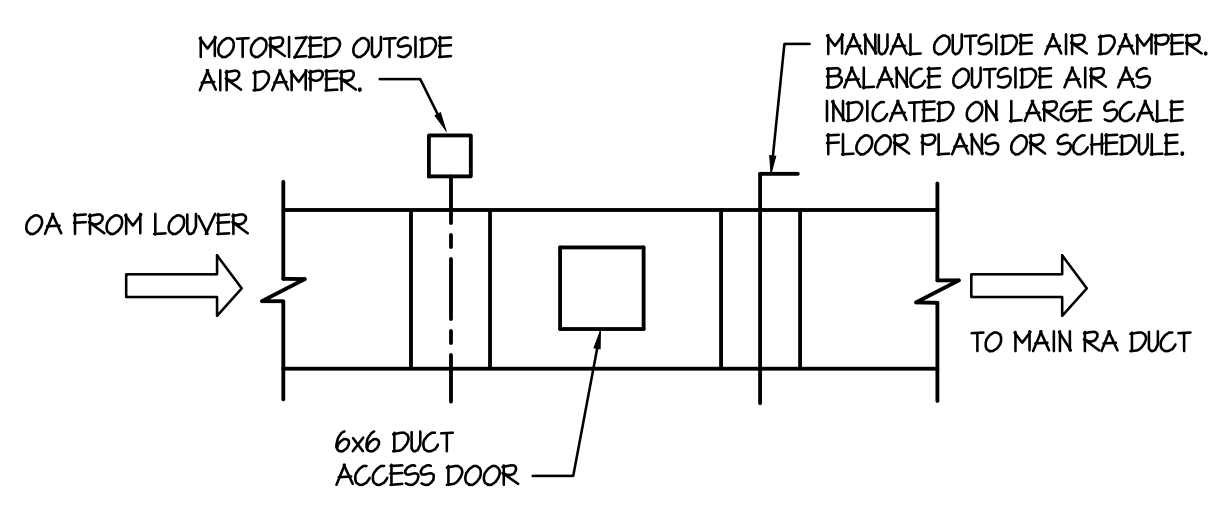
A FLEXIBLE DUCT SUPPORT DETAIL

NO SCALE



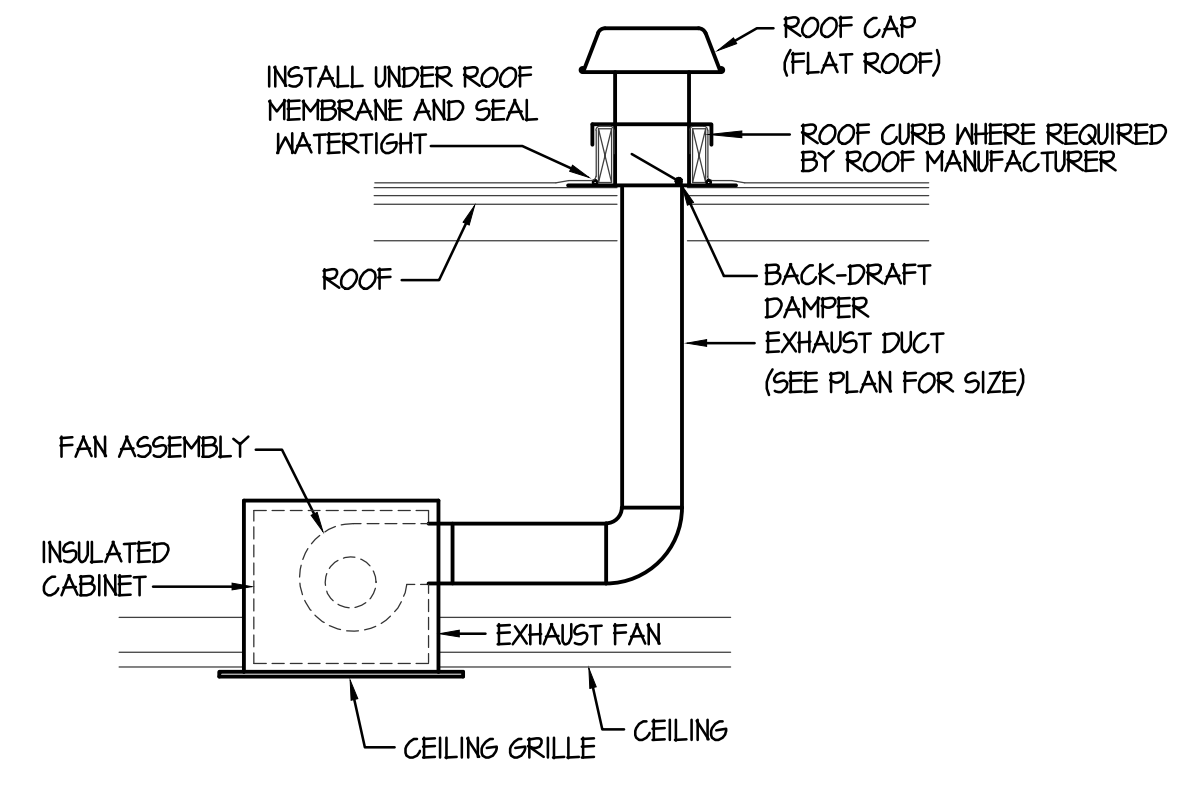
B UNIVERSAL PYRAMID SUPPORT

NO SCALE



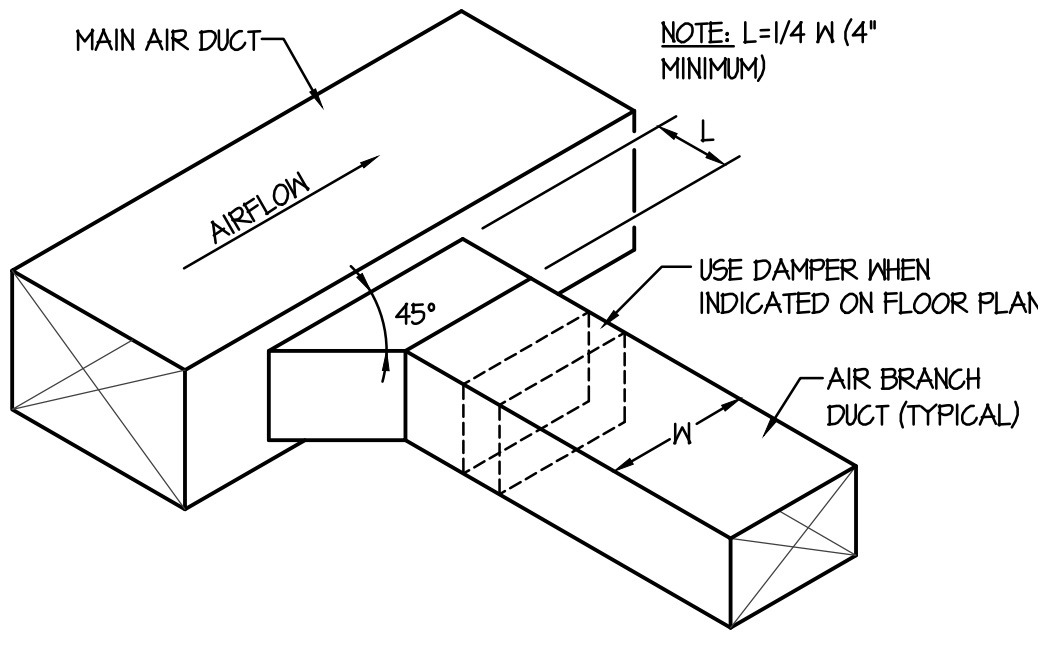
C TYPICAL OUTSIDE AIR DAMPERS

NO SCALE



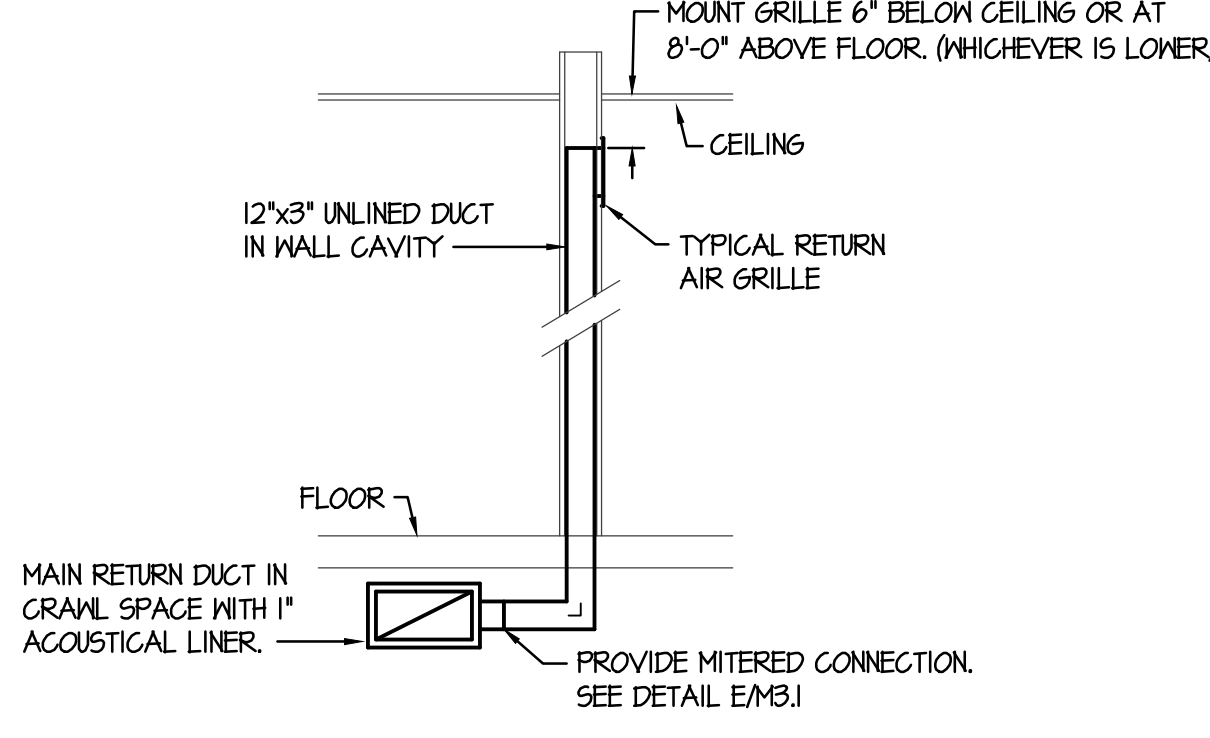
D EXHAUST FAN DETAIL

NO SCALE



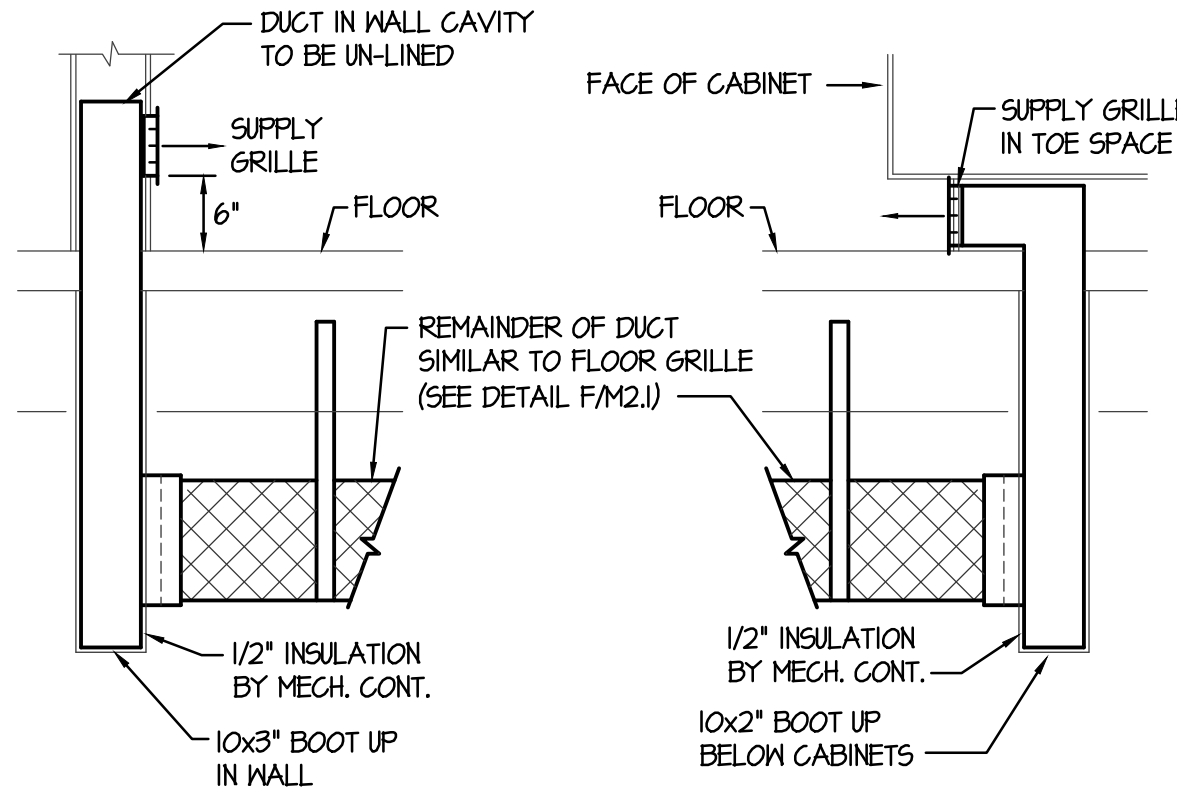
E RECTANGULAR DUCT CONNECTION

NO SCALE



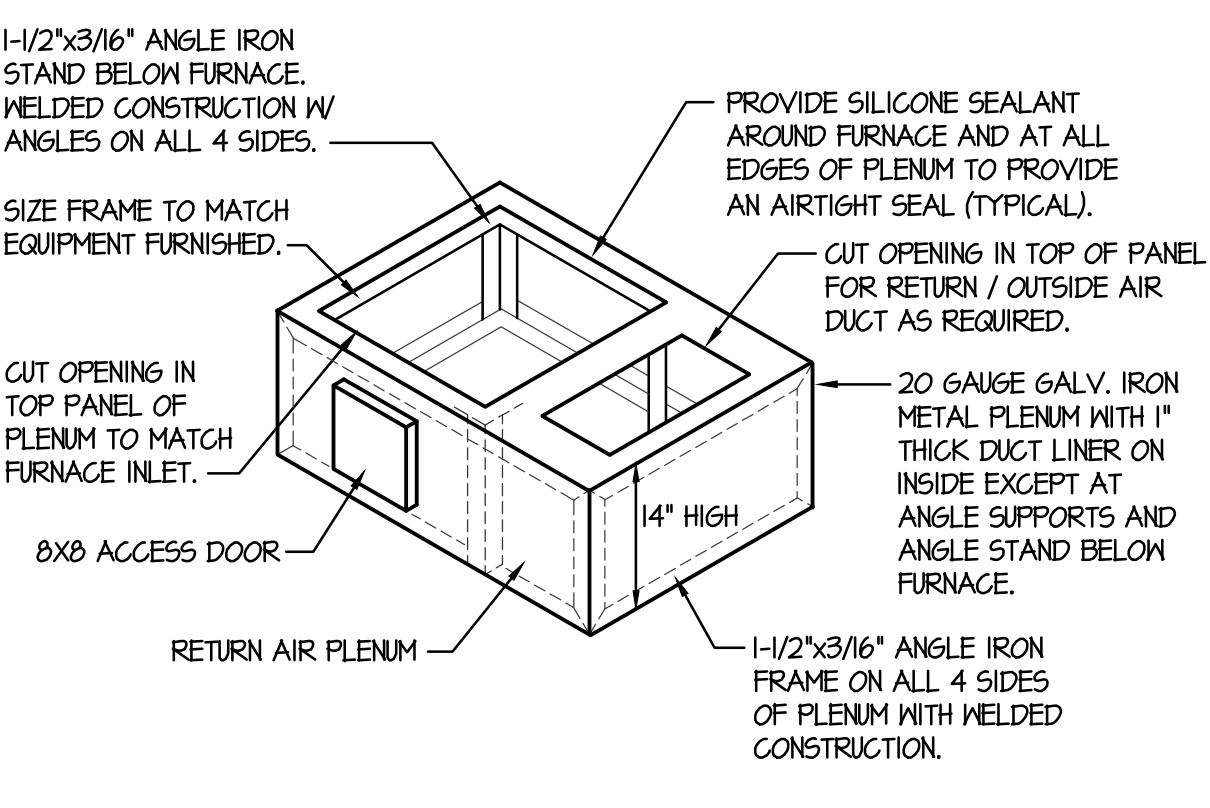
F RETURN AIR GRILL DETAIL

NO SCALE



G TOE GRILLE AND WALL GRILLE

NO SCALE



H RETURN AIR PLENUM DETAIL

NO SCALE

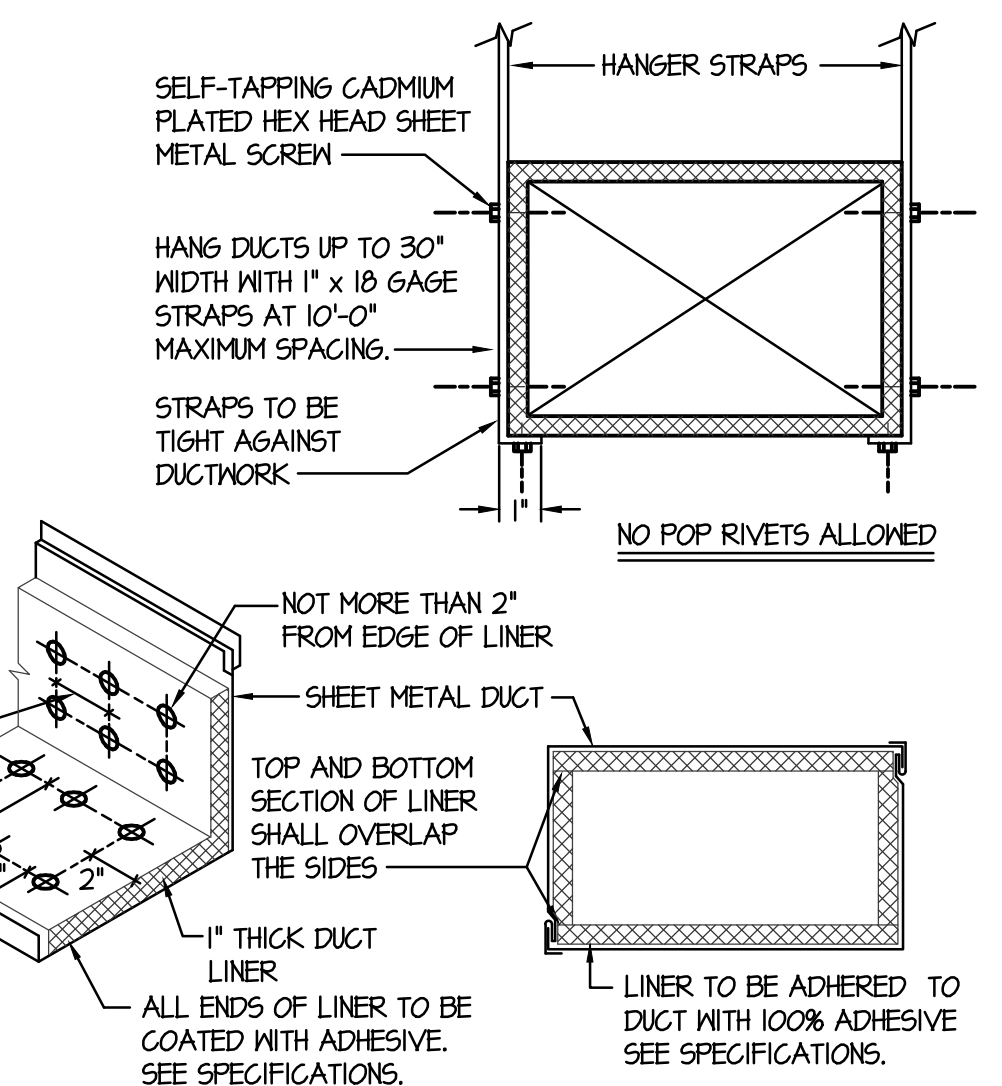
DIMENSION OF LONGEST SIDE, INCHES	SHEET METAL GAGE (ALL FOUR SIDES)	TRANSVERSE REINFORCING (1)	
		MINIMUM REINFORCING ANGLE SIZE AND MAXIMUM LONGITUDINAL SPACING BETWEEN TRANSVERSE JOINTS 4/OR INTERMEDIATE REINFORCING	AT JOINTS
UP THRU 12	26	NONE REQUIRED	26 26
13 - 18	24	NONE REQUIRED	24 24
19 - 30	24	1" x 1/8" @ 60 IN	- 24

(1) TRANSVERSE REINFORCING SIZE IS DETERMINED BY DIMENSION OF SIDE TO WHICH ANGLE IS APPLIED.

METAL FASTENERS - O MARK INSULPINS, DURO DYNE FASTENERS OR GRIPNAILS.

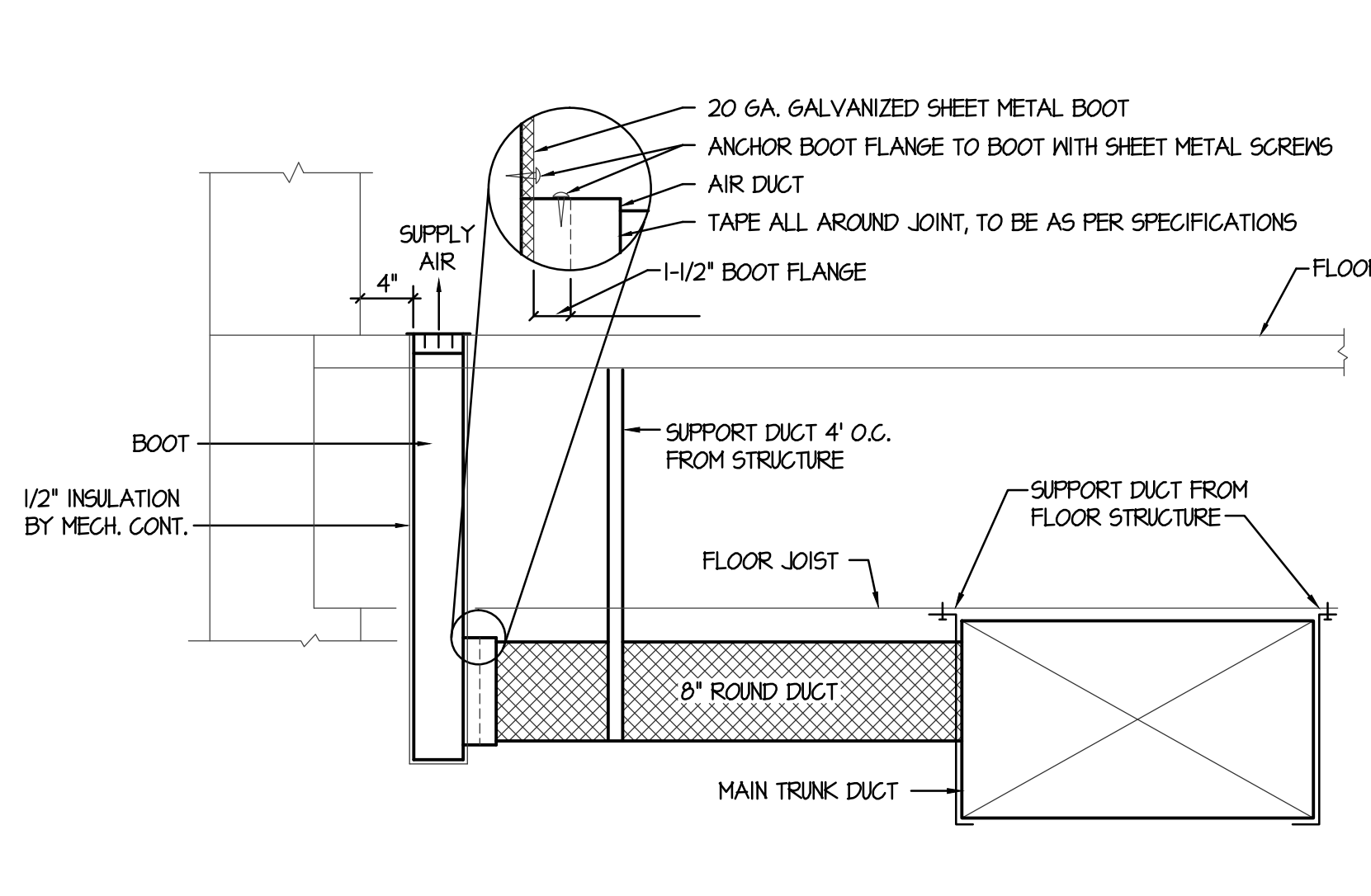
GRIP NAILS SHALL BE INSTALLED BY GRIPNAIL AIR HAMMER OR BY AUTOMATIC FASTENER EQUIP.

ENDS OF LINER SHALL BE BUTTED FIRMLY TOGETHER



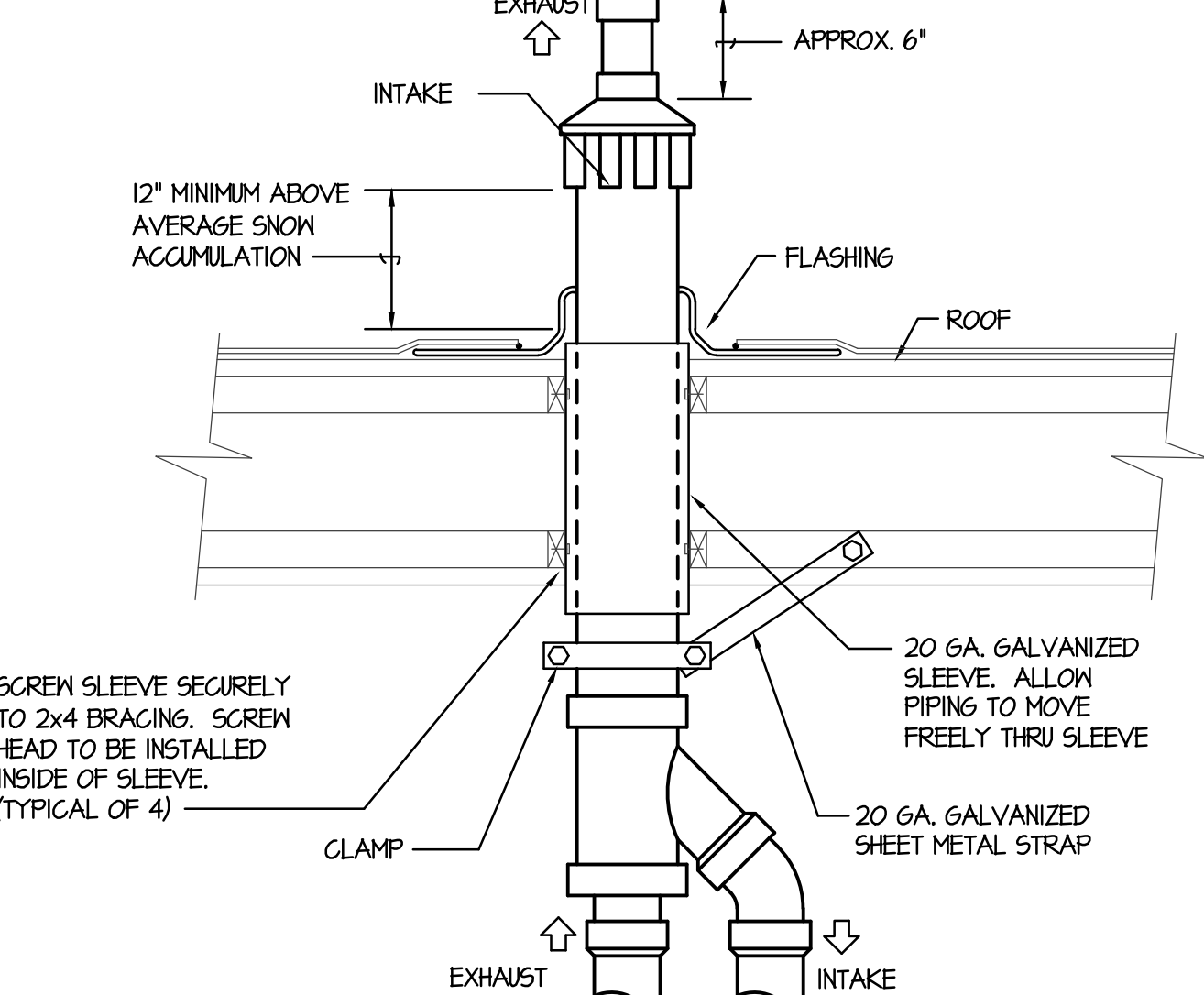
J DUCT CONSTRUCTION AND HANGER DETAIL

NO SCALE



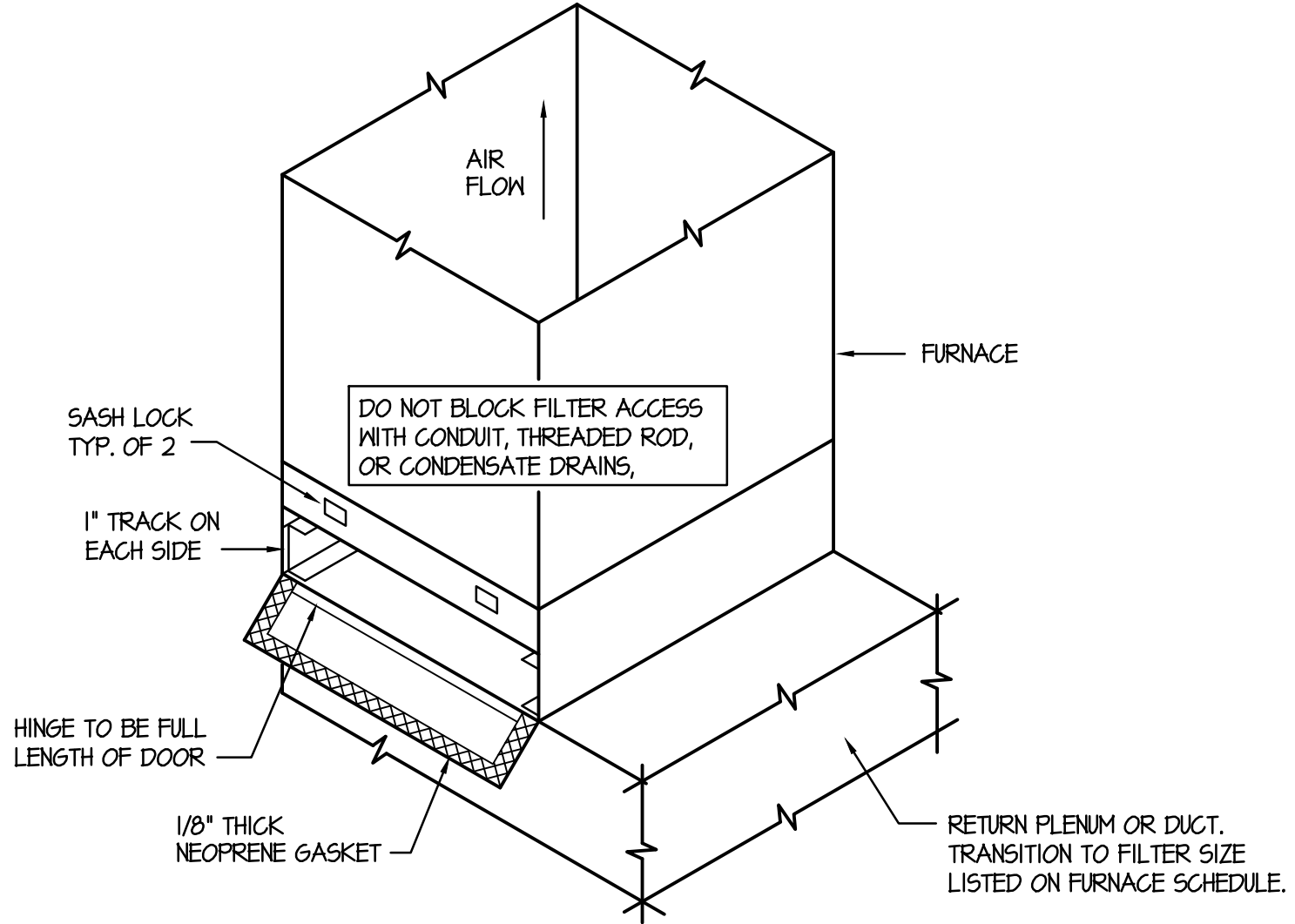
K UNDERFLOOR DUCT AND BOOT CONNECTION DETAIL

NO SCALE



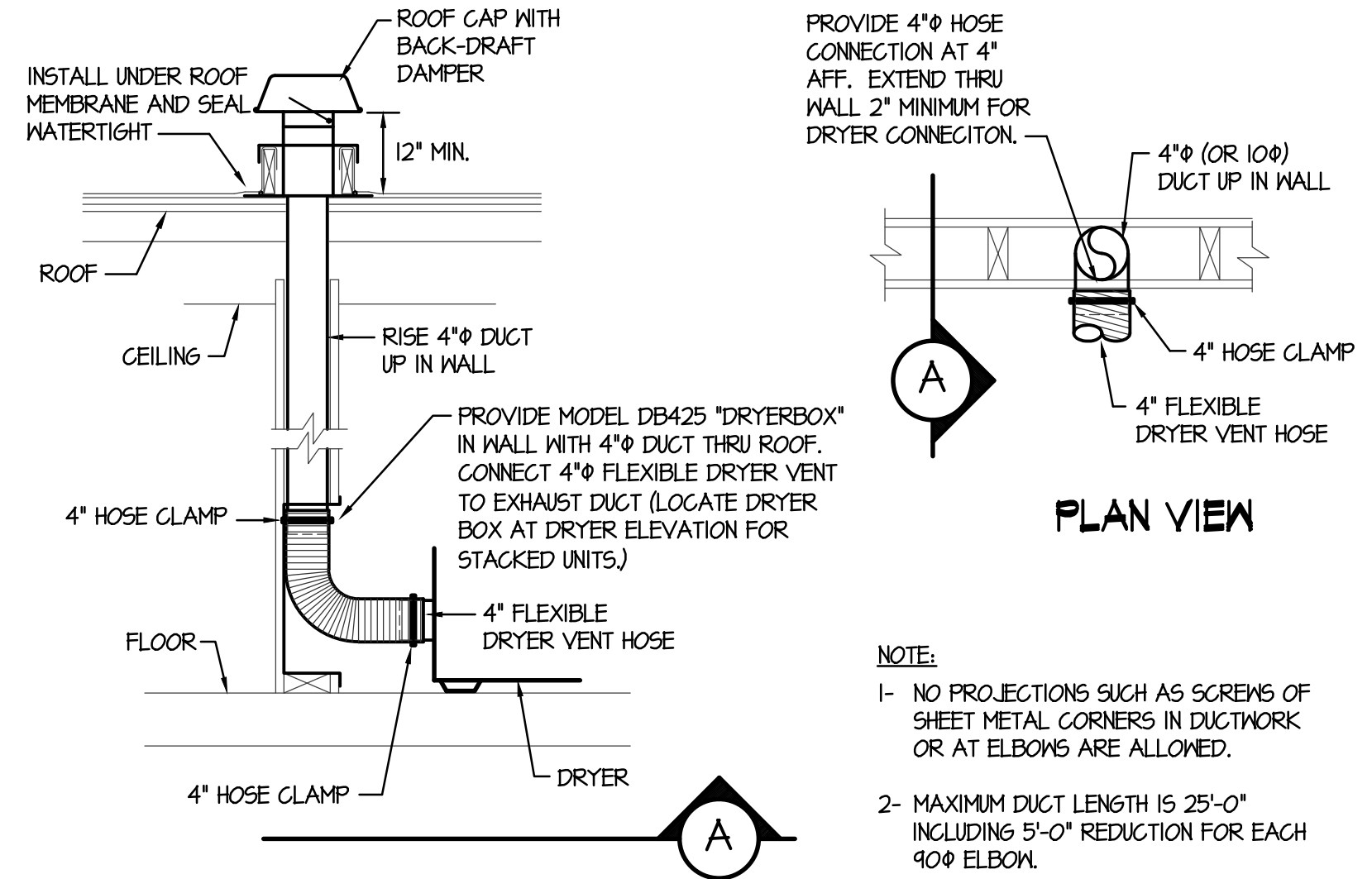
L CONCENTRIC FURNACE VENT THRU ROOF DETAIL

NO SCALE



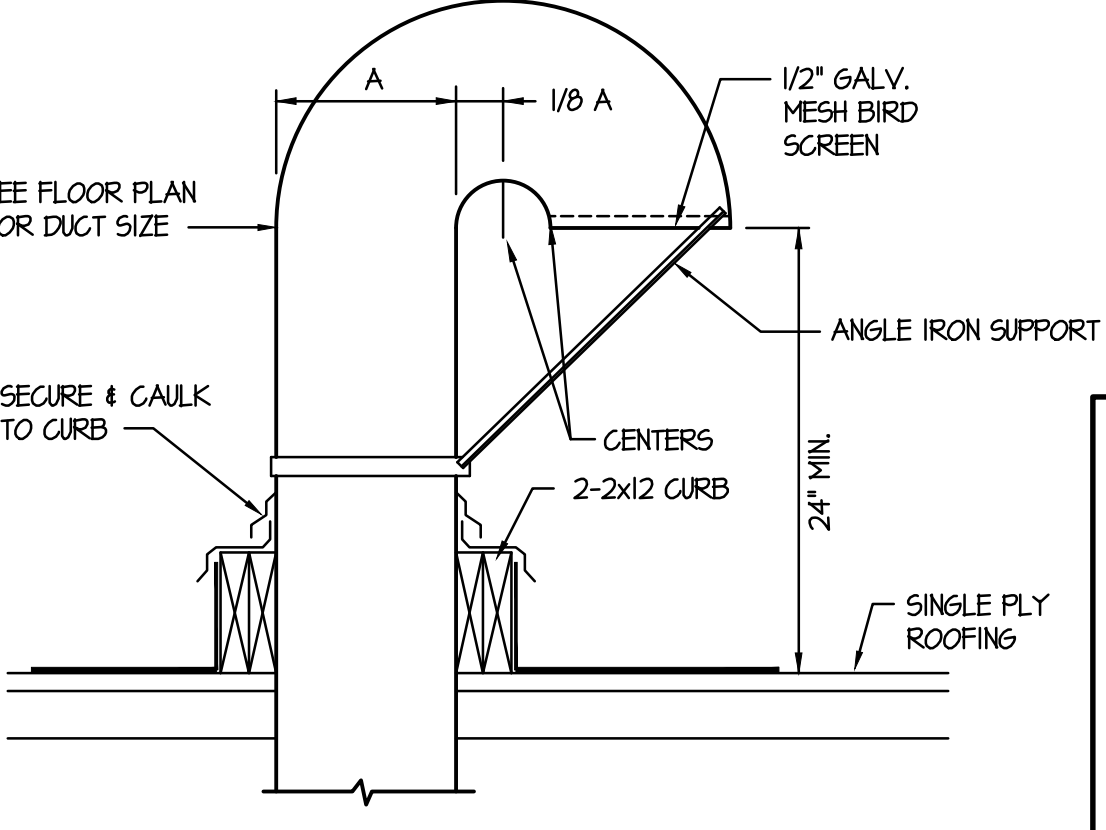
M EXTERNAL FILTER SECTION DETAIL

NO SCALE



N DRYER VENT DETAIL

NO SCALE



O GOOSENECK DETAIL

NO SCALE

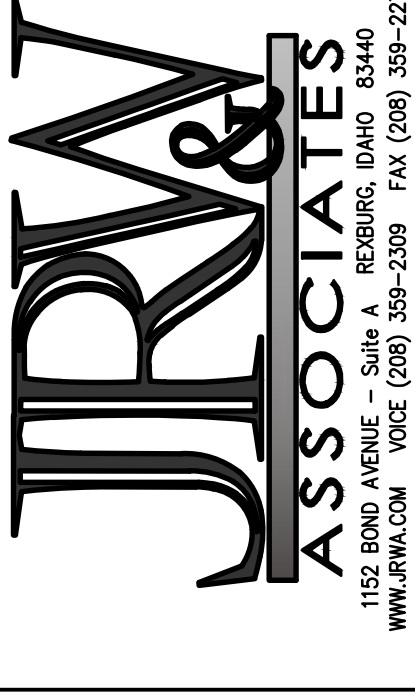
ORIGINAL DRAWING SIGNED BY: TYNE C. SUWNEERS
 DATE ORIGINAL SIGNED: AUGUST 2014
 ORIGINAL ON FILE AT: ENGINEERS SYSTEMS ASSOCIATES
 1355 EAST CENTER POCAATELLO, IDAHO 83201

PRELIMINARY DRAWING NOT FOR CONSTRUCTION

Engineers Systems Associates
 1355 EAST CENTER POCAATELLO, IDAHO 83201
 PHONE: (208) 233-0501
 FAX: (208) 233-0529
 EMAIL: eso@engsystems.com
 ESA JOB NUMBER: 19034



BRENT A. MCFARLAND AR-2561



CONSULTANTS:

STRUCTURAL ENGINEERING
 FROST STRUCTURAL ENGINEERING
 1020 Lincoln Road
 Idaho Falls, Idaho 83401
 (208) 227-8404
 Fax (208) 227-8405

MECHANICAL ENGINEERING
 ENGINEERED SYSTEMS ASSOC.
 1355 East Center
 Pocatello, Idaho 83201
 (208) 233-0501
 Fax (208) 233-0529

ELECTRICAL ENGINEERING
 PAYNE ENGINEERING INC.
 1823 E. Center St.
 Pocatello, Idaho 83201
 (208) 232-4439
 Fax (208) 232-1435

PROJECT: DR. JOSEPH R. FULLMER MEDICAL OFFICE BUILDING PROPERTIES, LLC

REBERG, IDAHO

DRAWING TITLE: MECHANICAL DETAILS

REVISION:	
#	COMMENT

DRAWN BY: M THIEL	JBT
CHECKED BY: M JENSEN	AUGUST 2014
PLOT DATE: Aug 11, 2014	
DRAWING NO. FILE: 19034-M3.1.dwg	
OF FIVE	