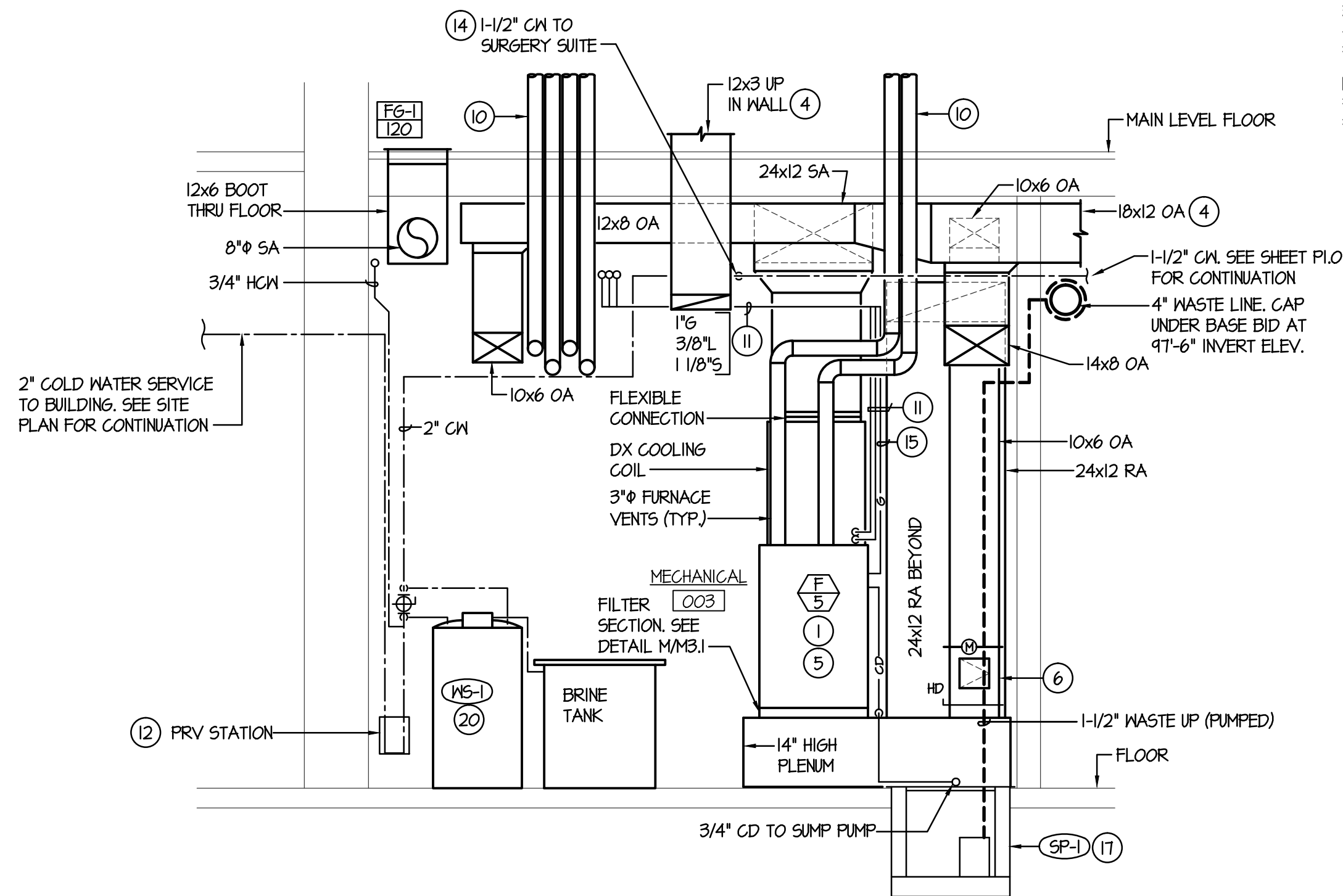
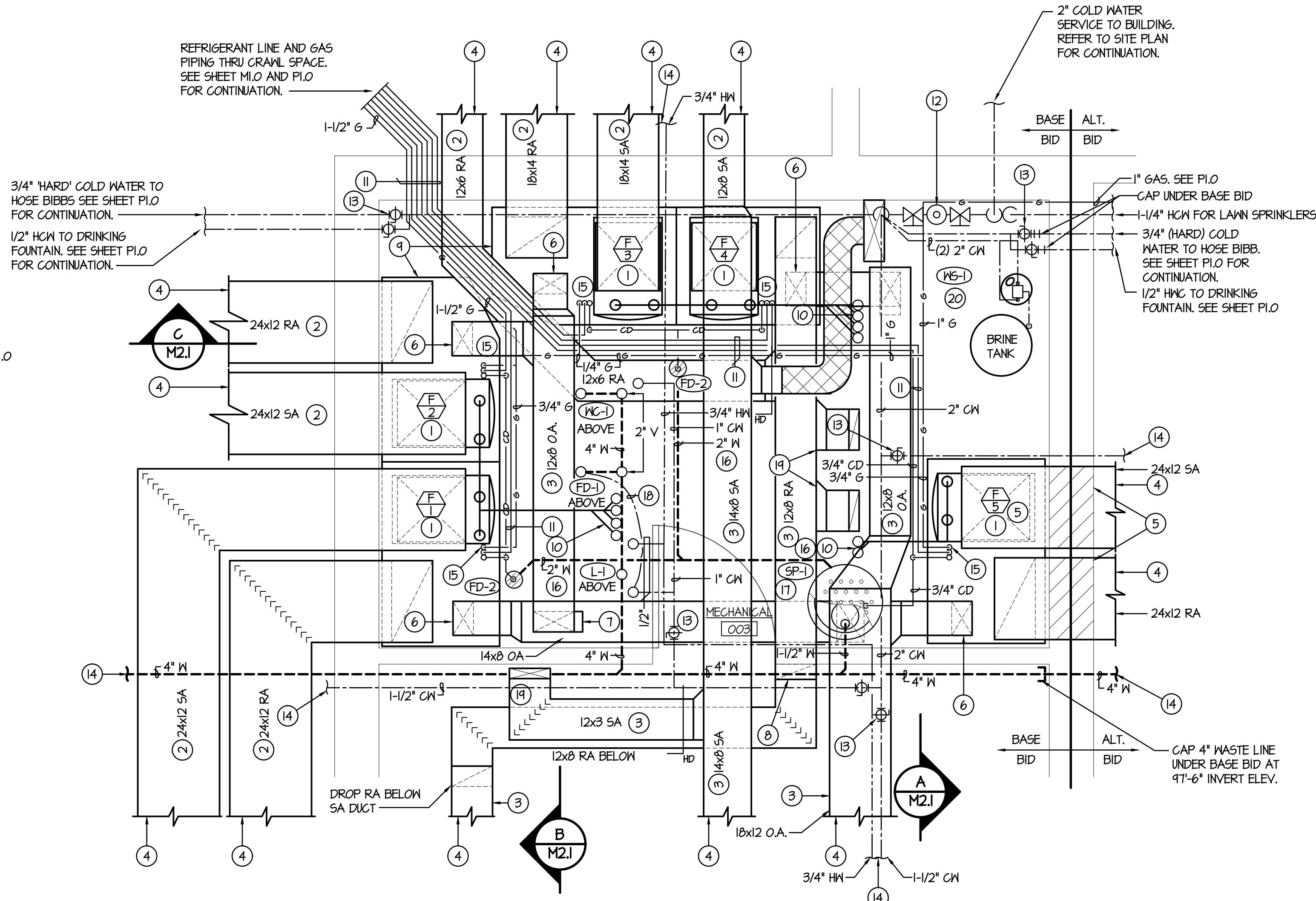


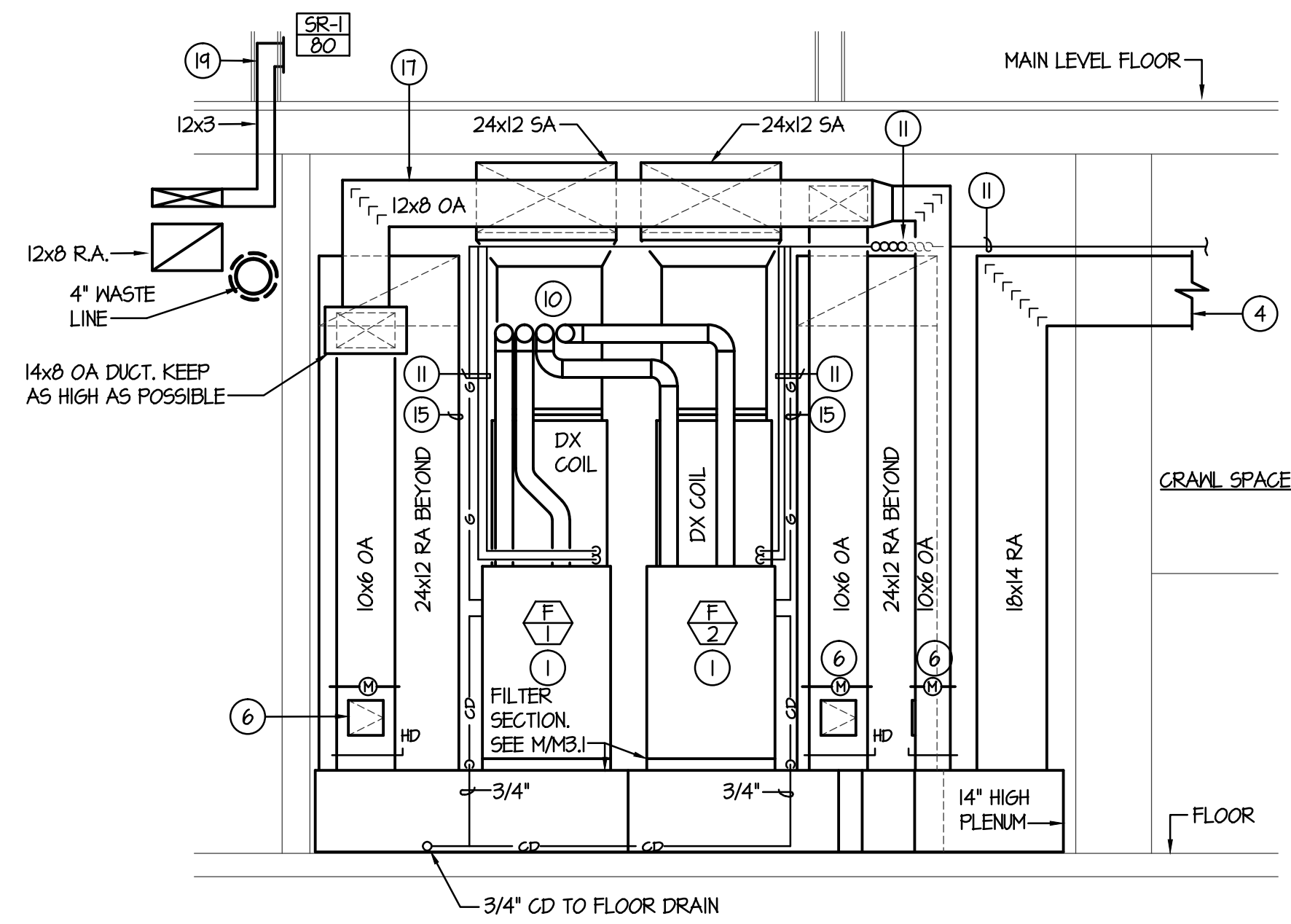
F:\M1024\Fullmer_Esp_Critic\19034-M2.1.dwg Aug 14, 2014 - 10:55am



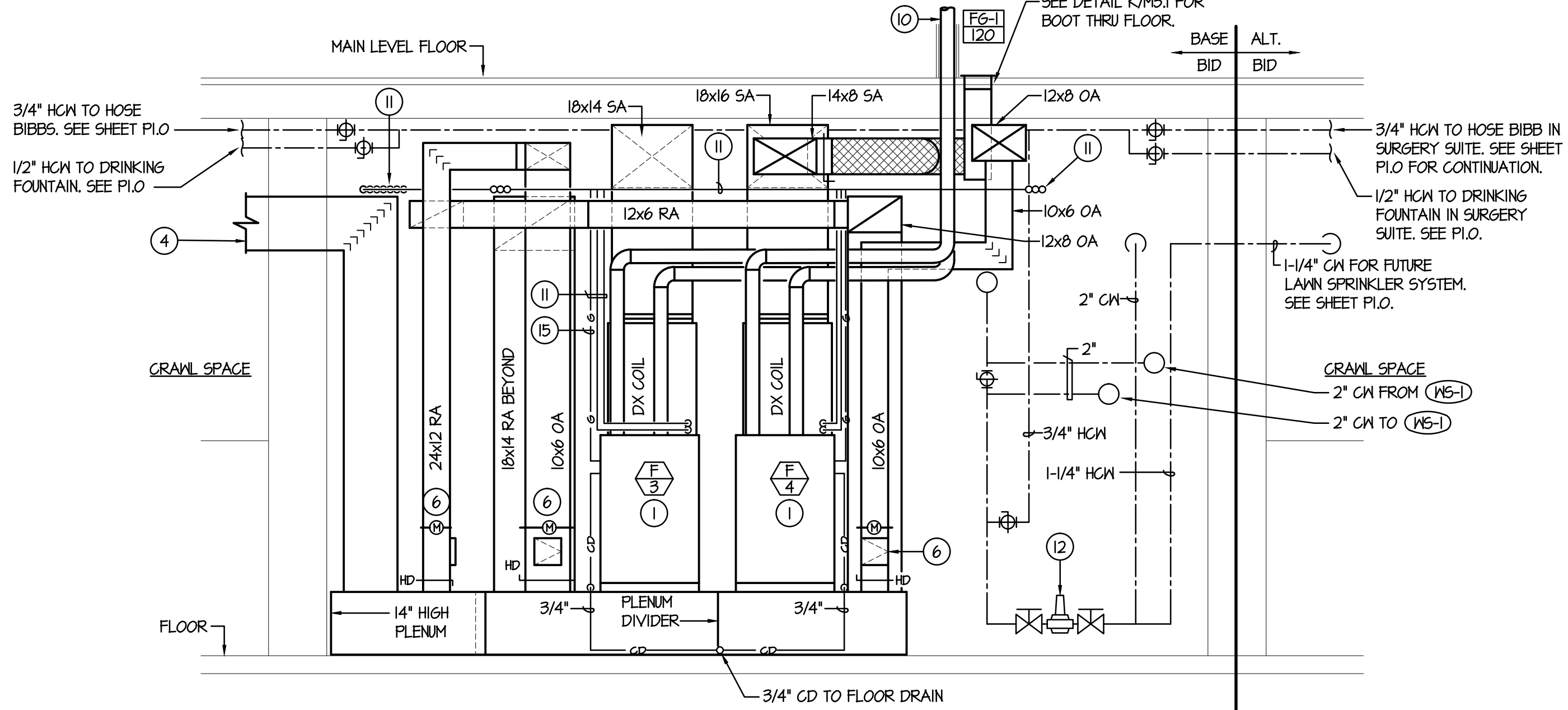
BUILDING SECTION A
SCALE: 1/2" = 1'-0"



LARGE SCALE MECH. ROOM
SCALE: 1/2" = 1'-0"



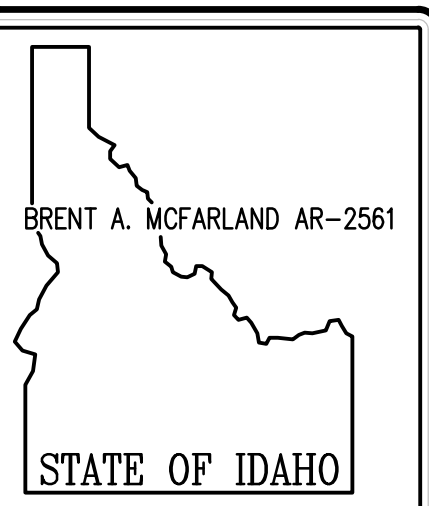
BUILDING SECTION B
SCALE: 1/2" = 1'-0"



BUILDING SECTION C
SCALE: 1/2" = 1'-0"

PLAN NOTES:

- 1 PROVIDE AND INSTALL GAS FIRED FURNACE AS SPECIFIED. MOUNT ON 14" HIGH RETURN AIR PLENUM. REFER TO DETAIL H/M3.1 FOR RETURN AIR PLENUM CONSTRUCTION.
- 2 DUCTWORK TO BE INSTALLED IN CRAWL SPACE AS SHOWN. SUPPORT DUCT FROM FLOOR JOISTS ABOVE. COORDINATE DUCT ROUTING WITH FLOOR SUPPORT COLUMNS AND MAKE MODIFICATIONS AS REQUIRED. RETURN DUCTS TO PASS BELOW SUPPLY DUCTS. MAKE TRANSITIONS IN DUCTWORK AS REQUIRED.
- 3 RUN DUCTWORK IN STORAGE ROOMS AND I.T. ROOM TIGHT AGAINST FLOOR JOISTS AS SHOWN.
- 4 REFER TO SHEET M1.0 FOR CONTINUATION.
- 5 FURNACE #5 SYSTEM TO BE BID UNDER ALTERNATE. UNDER BASE BID, CONTRACTORS ARE TO ROUGH-IN AND CAP ALL DUCTWORK FOR OUTSIDE AIR AND GAS PIPING. REFER TO ARCHITECTURAL DRAWINGS FOR BLOCK OUTS FOR FUTURE DUCTWORK TO BE INSTALLED UNDER BASE BID.
- 6 CONNECT 10x6 OUTSIDE AIR DUCT TO PLENUM BASE. PROVIDE MOTORIZED DAMPER, DUCT ACCESS DOOR, AND MANUAL BALANCING DAMPER IN VERTICAL DUCT. REFER TO DETAIL G/M3.1 FOR TYPICAL DAMPER INSTALLATION.
- 7 CONNECT 12x8 OUTSIDE AIR DUCT TO TOP OF 14x8 DUCT. RUN 12x8 TIGHT AGAINST FLOOR JOISTS ABOVE.
- 8 RISE 12x8 RA DUCT UP TIGHT AGAINST FLOOR JOISTS ABOVE BEFORE ENTERING MECHANICAL ROOM.
- 9 MITER CORNER OF RETURN PLENUM 18"x9" TO ALLOW FOR OTHER PLENUM BASE.
- 10 RISE 3" FURNACE VENTS UP IN WALL ABOVE. EXTEND THRU ROOF WITH CONCENTRIC FITTING. REFER TO SHEET M1.1 FOR CONTINUATION OF VENTS ON MAIN LEVEL. AND TO DETAIL L/M3.1 FOR CONCENTRIC VENTS THRU ROOF.
- 11 CONNECT REFRIGERANT LINES TO EACH FURNACE DX COOLING COIL AS RECOMMENDED BY MANUFACTURER. REFER TO DETAIL A/M2.2. REFRIGERANT LINE TO BE RUN ALONG WITH GAS LINES AS HIGH AS POSSIBLE. COORDINATE WITH DUCTWORK.
- 12 DROP 2" COLD WATER LINE DOWN AND CONNECT TO PRV STATION. RISE PIPING BACK UP AND RUN AT BOTTOM OF FLOOR JOISTS. PIPING TO RISE OR DROP AS REQUIRED FOR DUCTWORK. CONTRACTOR TO FIELD VERIFY ROUTING OF PIPING ON SITE. REFER TO DETAIL L/P3.1 FOR PIPING CONNECTIONS TO PRV VALVE.
- 13 PROVIDE ISOLATION VALVE IN WATER LINE AS SHOWN. VALVE TO BE LINE SIZE, BALL TYPE VALVE AND BE LOCATED IN ACCESSIBLE LOCATION.
- 14 REFER TO SHEET P1.0 FOR CONTINUATION OF PIPING.
- 15 CONNECT 3/4" GAS LINE TO FURNACE WITH SHUT-OFF VALVE AND FLEXIBLE HOSE. REFER TO DETAIL N/P3.1 FOR TYPICAL GAS LINE CONNECTION. CONNECT 3/4" CONDENSATE DRAIN LINE TO DX COIL AND TO FURNACE. RUN DRAIN LINE TO FLOOR DRAIN OR SUMP PUMP AS SHOWN. REFER TO DETAIL K/P3.1 FOR TYPICAL DRAIN LINE CONNECTIONS.
- 16 2" WASTE LINE FROM MECHANICAL ROOM DRAINS. RUN BELOW FLOOR TO SP-1 SUMP PUMP. SEE DETAIL G/P3.1.
- 17 PROVIDE AND INSTALL SUMP PUMP IN 18" CONCRETE PIPE AS SPECIFIED. REFER TO DETAIL G/P3.1 FOR TYPICAL INSTALLATION. RISE 1-1/2" DISCHARGE LINE UP AND CONNECT TO 4" WASTE LINE NEAR CEILING OF STORAGE ROOM.
- 18 1/2" COLD WATER LINE FROM TRAP PRIMER ABOVE. CONNECT TO FLOOR DRAIN. REFER TO DETAIL J/P3.1 FOR TYPICAL INSTALLATION.
- 19 RISE SA OR RA DUCT UP IN WALL ABOVE AND CONNECT TO GRILLE. SEE DETAIL G/M3.1.
- 20 WATER SOFTENER TO BE FURNISHED AND INSTALLED BY PLUMBING CONTRACTOR. COORDINATE WITH FURNACES AND DUCTWORK TO MAINTAIN ACCESSIBILITY. REFER TO DETAIL A/P3.2 FOR TYPICAL PIPING CONNECTIONS.



BRENT A. MCFARLAND AR-2561

JRW & ASSOCIATES
1152 BROAD AVENUE - SUITE A REBERG, IDAHO 83440
WWW.JRW.COM VOICE (208) 359-2099 FAX (208) 359-2271

CONSULTANTS:
STRUCTURAL ENGINEERING
FROST STRUCTURAL ENGINEERING
1020 Lincoln Road
Idaho Falls, Idaho 83401
(208) 227-8404
Fax (208) 227-8405
MECHANICAL ENGINEERING
ENGINEERED SYSTEMS ASSOC.
1355 East Center
Pocatello, Idaho 83201
(208) 233-0501
Fax (208) 233-0529
ELECTRICAL ENGINEERING
PAYNE ENGINEERING INC.
1823 E. Center St.
Pocatello, Idaho 83201
(208) 232-4439
Fax (208) 232-1435

DR. JOSPEH R. FULLMER
MEDICAL OFFICE BUILDING
PROPERTIES, LLC
IDAHO
REBERG, IDAHO
DRAWING TITLE:
LARGE SCALE PLANS AND SECTIONS

REVISION:

#	DATE	COMMENT

DRAWN BY: M THIEL JOB NO: 787
CHECKED BY: M JENSEN DATE: AUGUST 2014
PLOT DATE: Aug 14, 2014

ORIGINAL DRAWING SIGNED BY: J. C. SUOENEKS
DATE ORIGINAL SIGNED: 08/14/2014
ORIGINAL ON FILE AT: ENGINEERED SYSTEMS ASSOCIATES
1355 EAST CENTER POCATELLO, IDAHO 83201

PRELIMINARY DRAWING NOT FOR CONSTRUCTION

Engineered Systems Associates
1355 EAST CENTER POCATELLO, IDAHO 83201
PHONE: (208) 233-0501
FAX: (208) 233-0529
EMAIL: es@engsystems.com
ESA JOB NUMBER: 19034

DRAWING NO. M2.1
OF FIVE