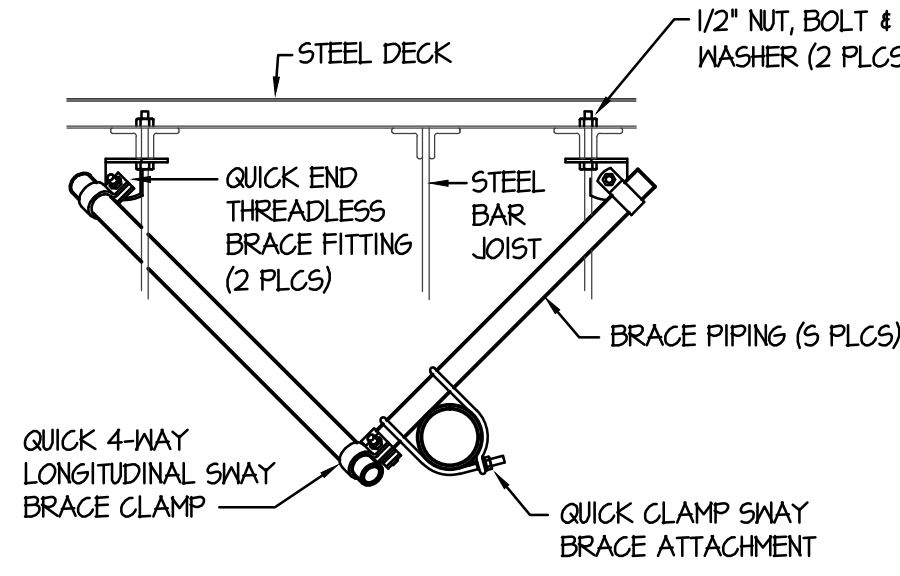
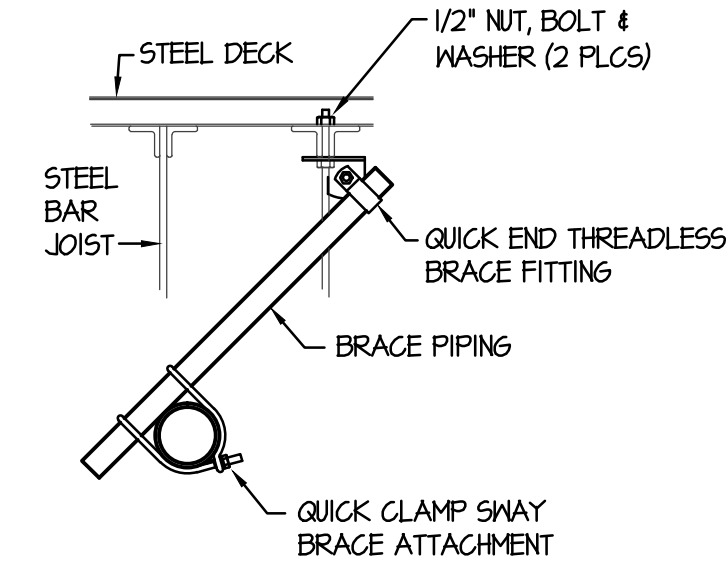


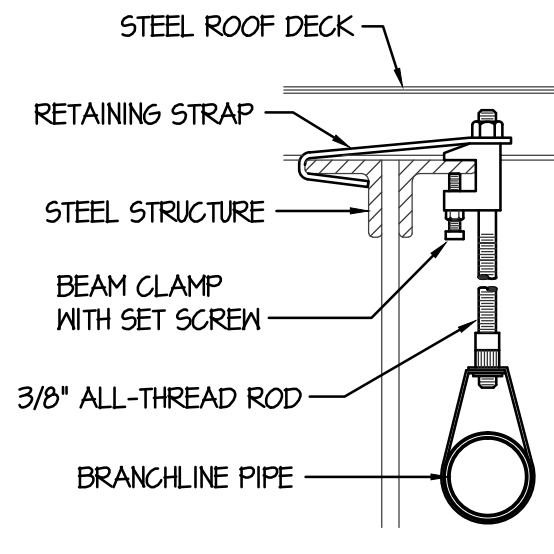
NOTE:
PROVIDE SEISMIC BRACING
ONLY IN SEISMICALLY ACTIVE
AREAS. BRACING SHALL
CONFORM TO THE
REQUIREMENTS OF NFPA 13 AND
ALL STATE AND LOCAL CODES.



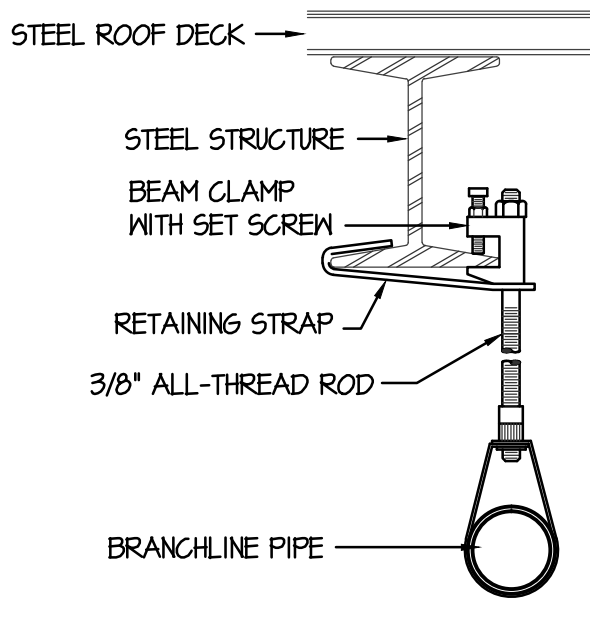
4-WAY SEISMIC BRACE
NO SCALE



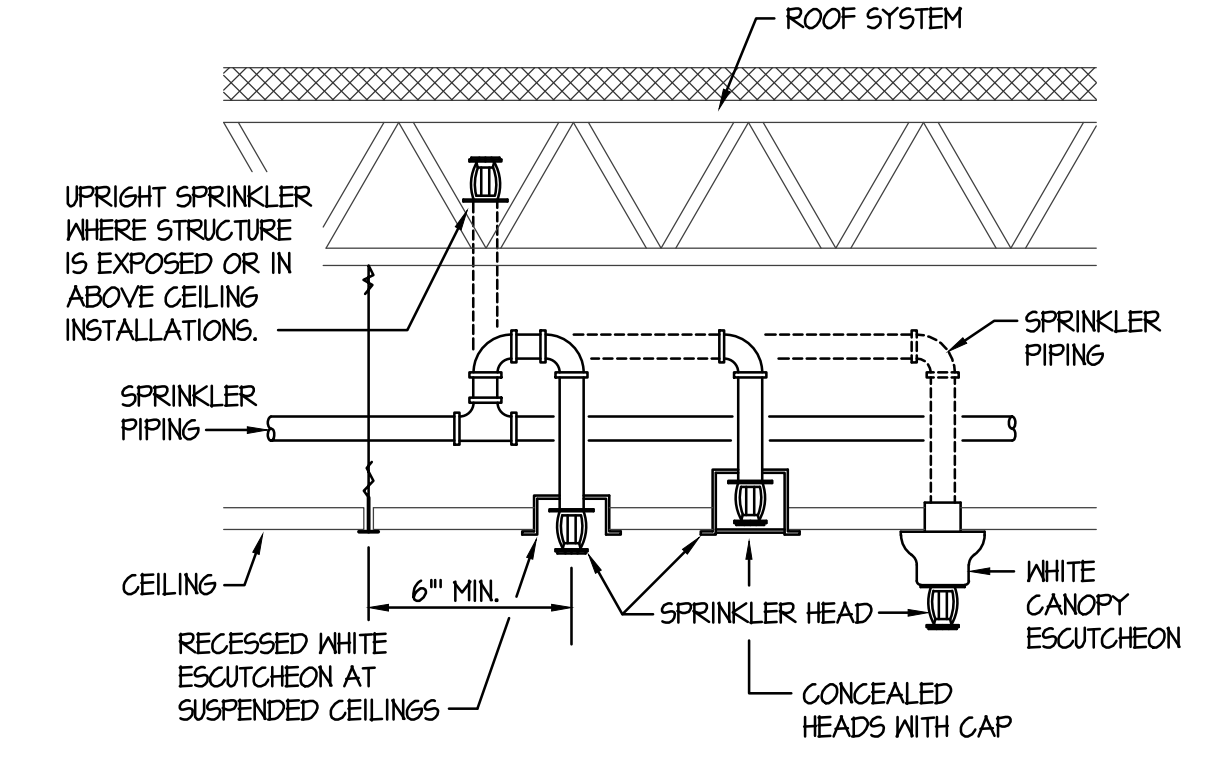
2-WAY SEISMIC BRACE
NO SCALE



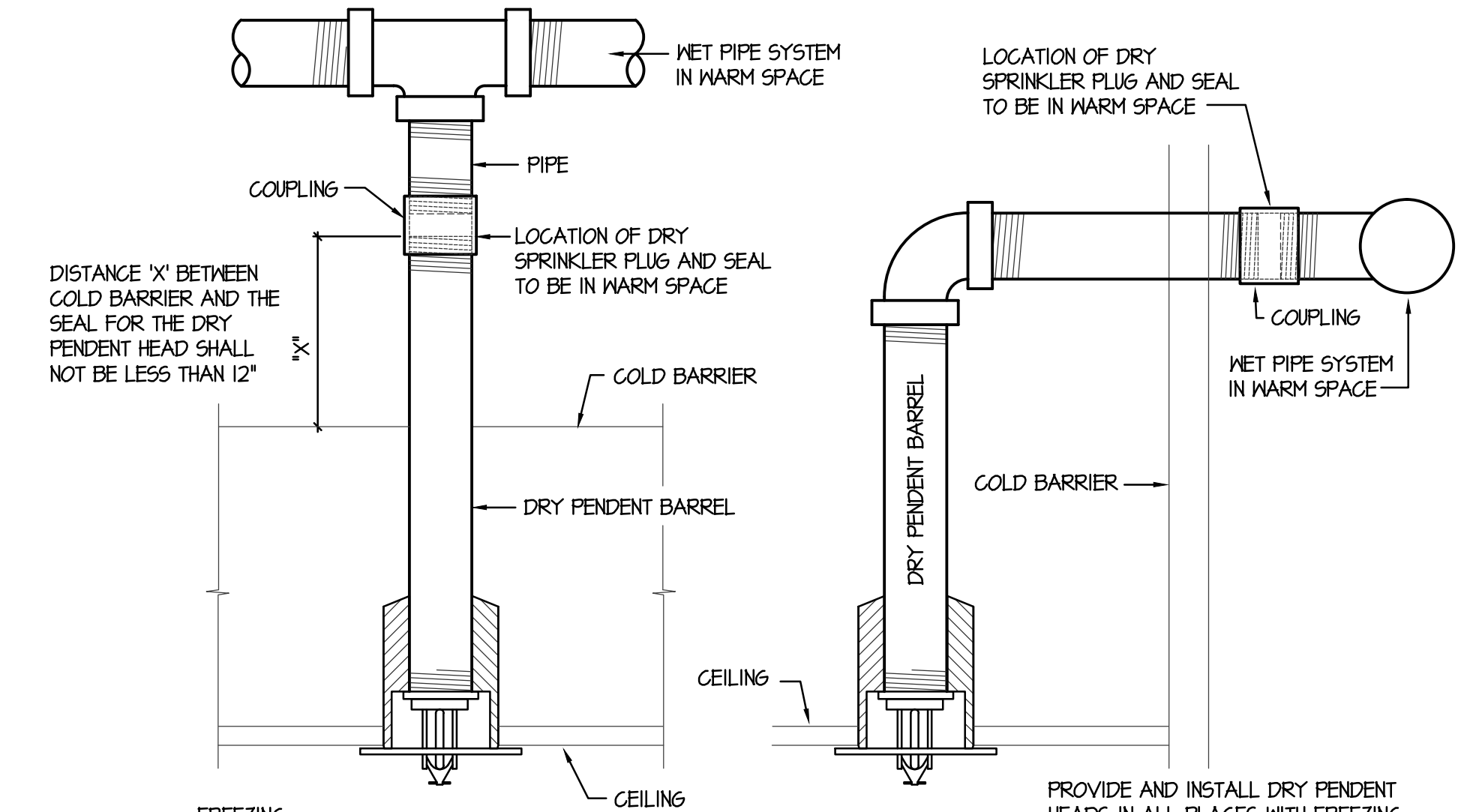
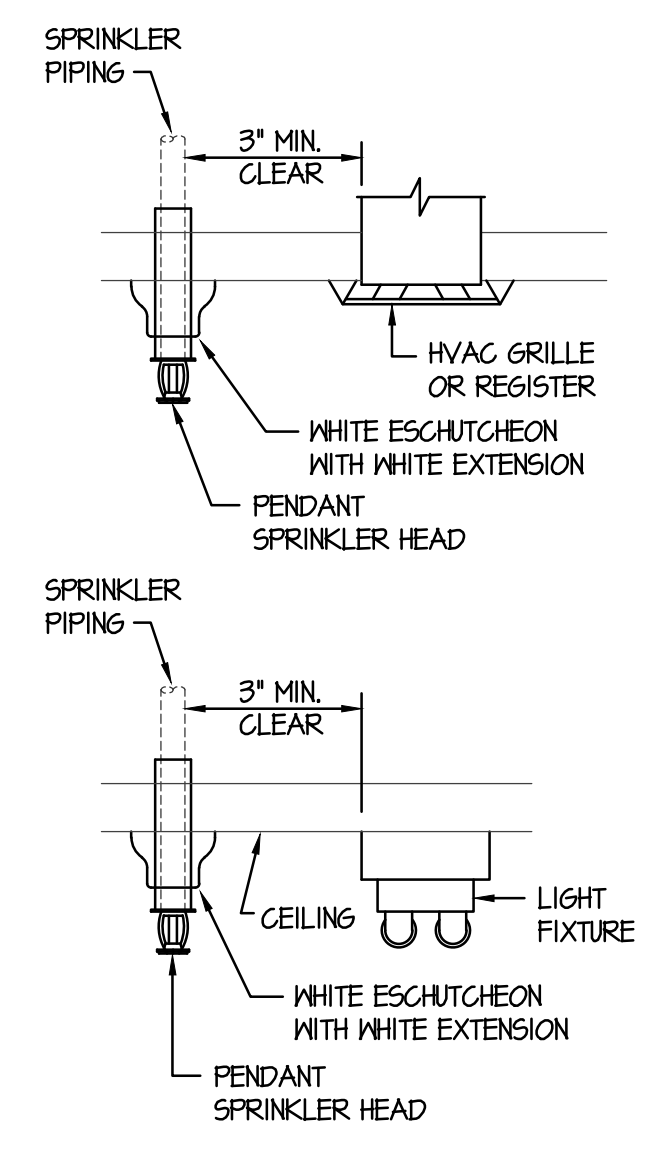
HANGER DETAIL
NO SCALE



HANGER DETAIL
NO SCALE

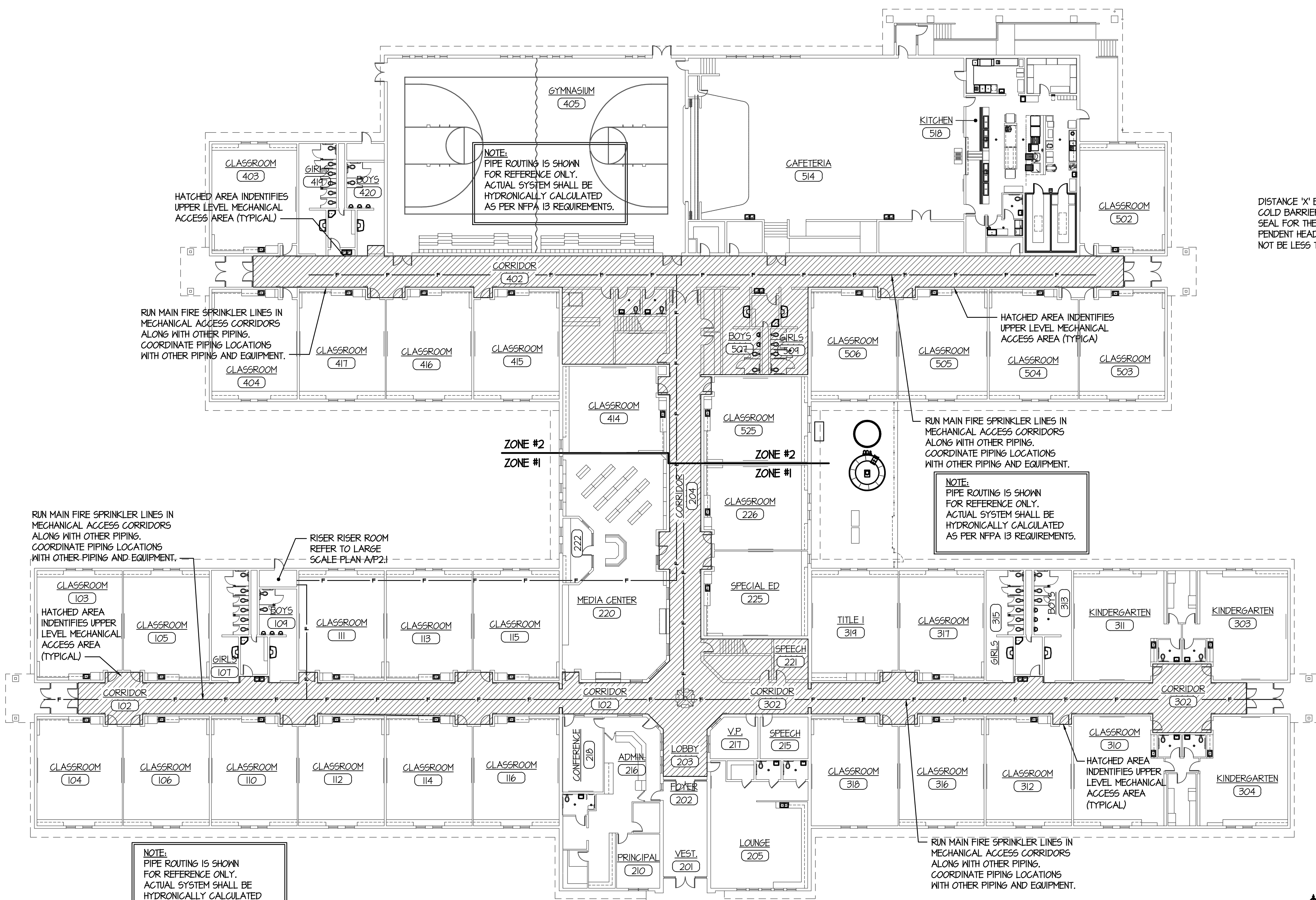


SPRINKLER HEAD COORDINATION DETAILS
NO SCALE



DRY PENDENT HEAD
NO SCALE

- NOTES
- 1- INSTALL FIRE SPRINKLER PIPING AS SHOWN. WET-PIPE SYSTEM HEATED AREA AND ANTIFREEZE OR DRY PIPE SPRINKLERS IN AREAS SUBJECT TO FREEZING. OBTAIN APPROVAL FOR PIPING CHANGES FROM ARCHITECT AND ENGINEER.
 - 2- THE SPACE OCCUPANCY IS LIGHT HAZARD (NFPA 13). MAIN FLOOR COVERAGE IS LESS THAN 225 SQ. FT. PER HEAD. UPPER LEVEL SPACE OCCUPANCY IS ORDINARY HAZARD (NFPA 13) COVERAGE IS LESS THAN 150 SQ. FT. PER HEAD.
 - 3- SEE SITE PLAN FOR UTILITY CONNECTION FOR FIRE SPRINKLER PIPING, AND LOCATION OF FIRE HYDRANTS.
 - 4- DO NOT ROUTE PIPING THRU STRUCTURAL MEMBERS OR MECHANICAL DUCT WORK.
 - 5- SEE REFLECTED CEILING PLAN FOR EXACT LOCATION OF SPRINKLER HEADS. THE SPRINKLER HEADS DO NOT HAVE TO BE CENTERED IN THE CEILING TILE.
 - 6- COORDINATE WITH FRAMER FOR SHEAR-WALL PENETRATIONS.
 - 7- SPRINKLERS SHALL BE QUICK-RESPONSE TYPE.
 - 8- ALL WET-PIPE SYSTEM COMPONENTS MUST BE INSIDE THE BUILDING INSULATION ENVELOPE.
 - 9- ALL REQUIRED DRAINS SHALL FOLLOW NFPA 13 REQUIREMENTS. DRAINS SHALL BE VALVED AND PLUGGED TO PREVENT ACCIDENTAL OPENING AND DISCHARGE. DRAINS SHOULD BE LOCATED TO PREVENT PUBLIC ACCESS.



FIRE SPRINKLER SYSTEM FLOOR PLAN
SCALE: 1" = 20'-0"

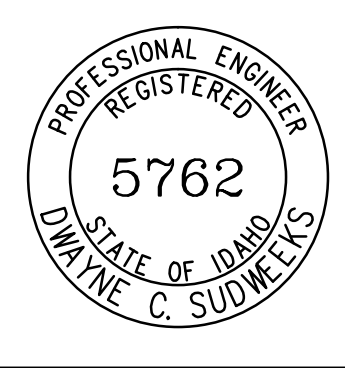
PROJECT: 18070

REVISIONS	DATE	DESCRIPTION
2-12-19		CONSTRUCTION SET

PROJECT NO. 18012
DATE: FEBRUARY 2019
DRAWN BY: M. JENSEN
CHECKED BY: D. SUDWEEKS
DRAWING NO.:

ORIGINAL DRAWING SIGNED BY: DWAYNE C. SUDWEEKS
DATE ORIGINAL SIGNED: Feb 08, 2019
ORIGINAL ON FILE AT ENGINEERED SYSTEMS ASSOCIATES
1355 EAST CENTER, POCATELLO, IDAHO 83201

Engineered Systems Associates
1355 EAST CENTER
POCATELLO, IDAHO 83201
PHONE: (208) 233-0501
FAX: (208) 233-0529
EMAIL: esa@engsystems.com
ESA JOB NUMBER: 18070



2/9/2019 9:30:30 AM F:\18\18070 Jefferson Co. Elem (Rigby)\18070-P3.1.dwg