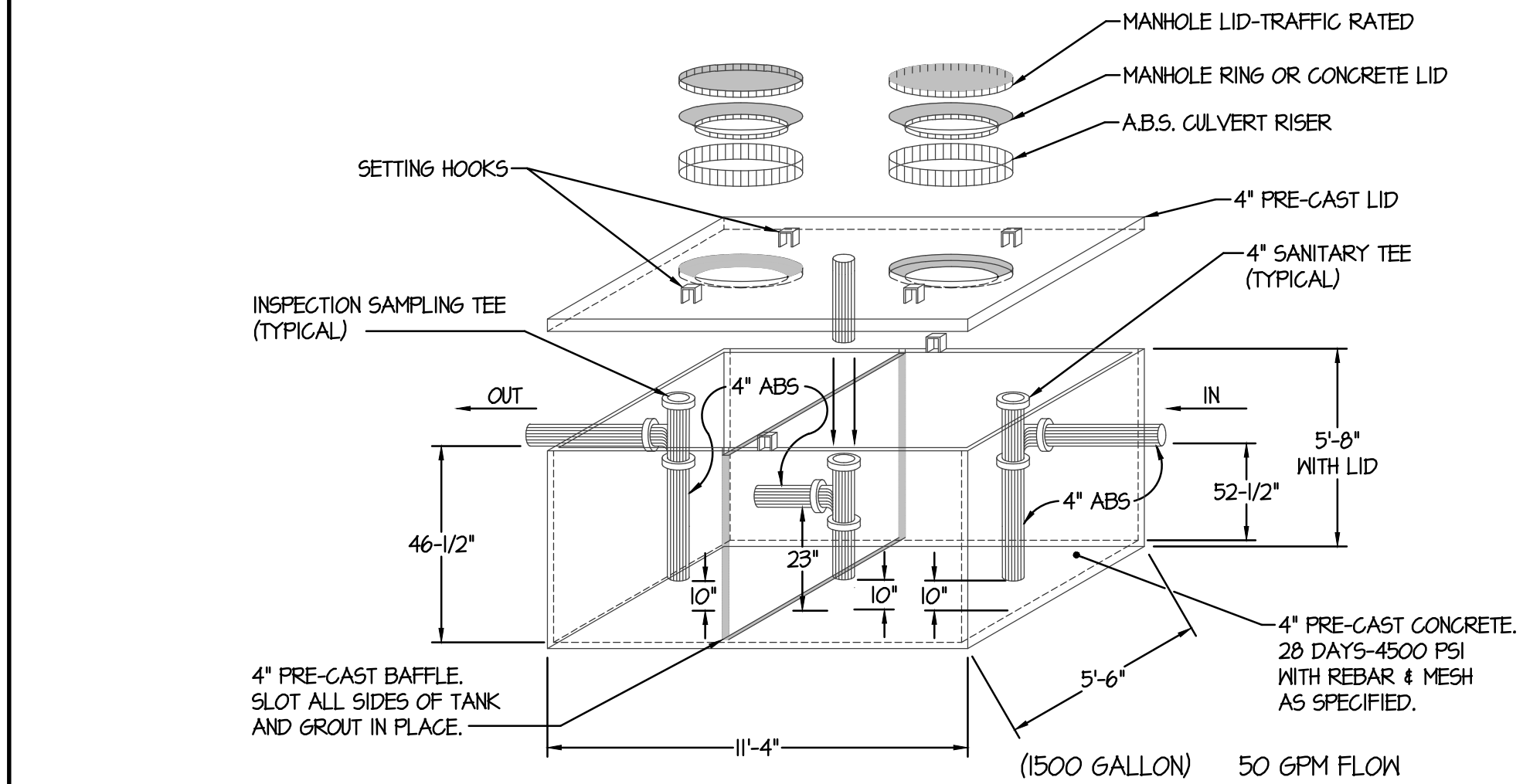
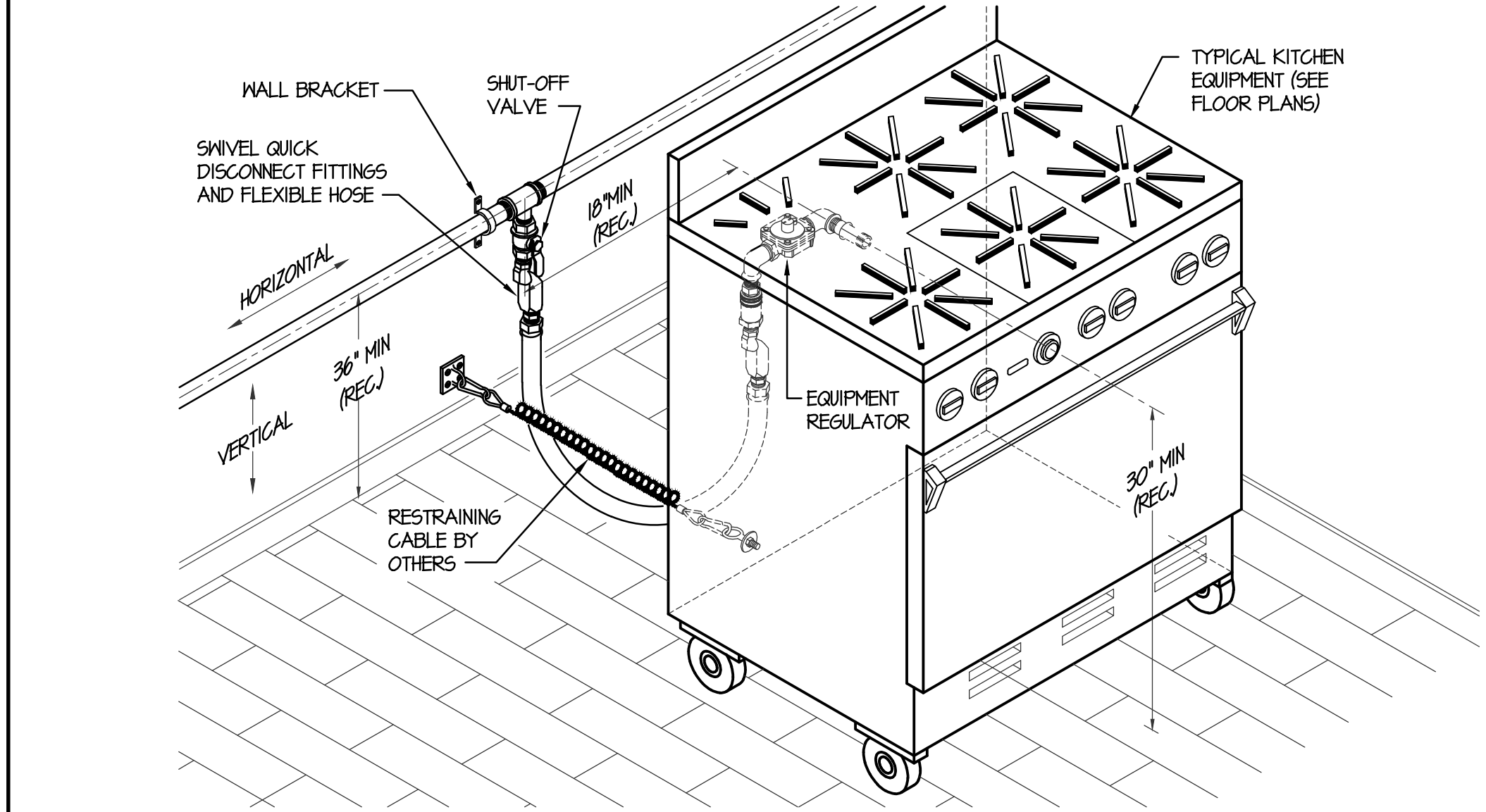


PLAN NOTES:

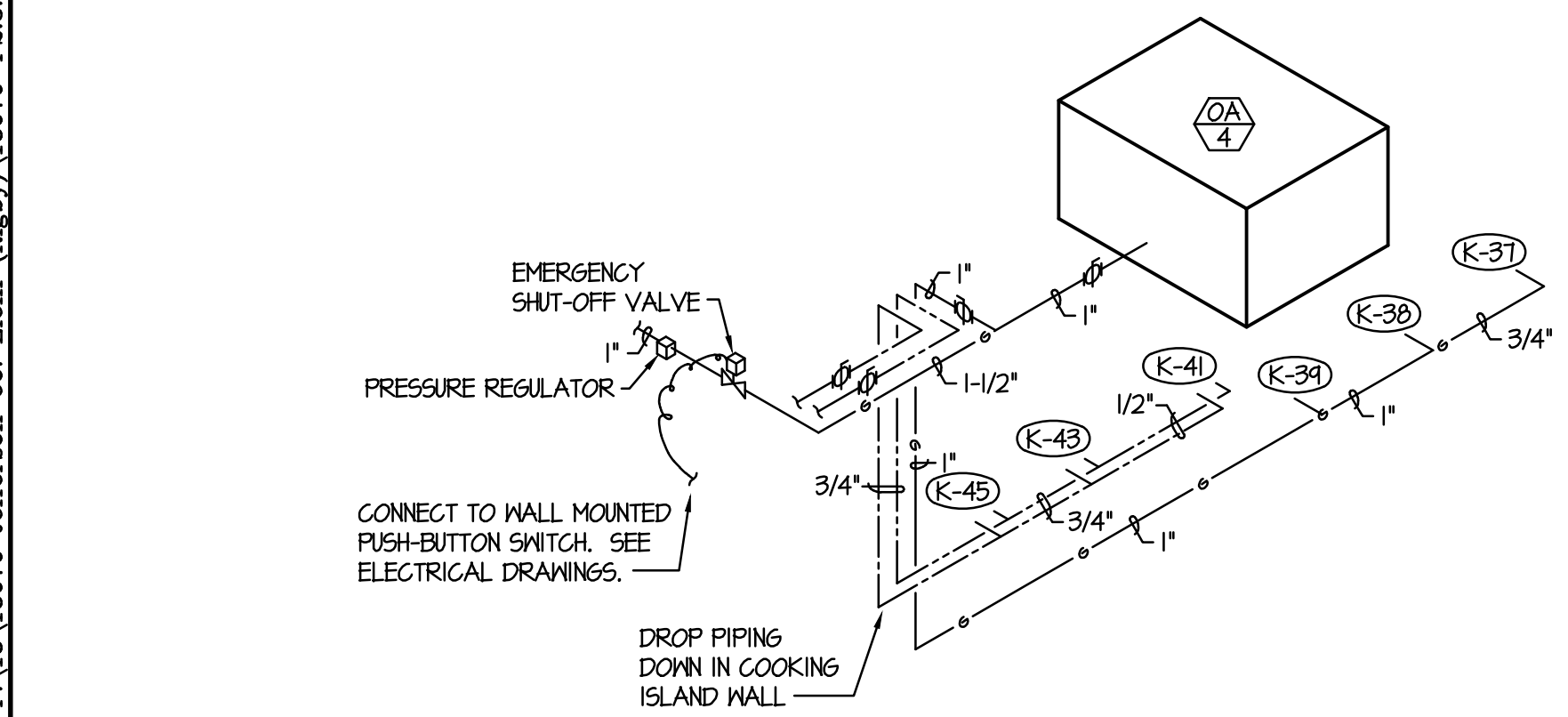
- 1 DROP 3/4" HOT AND COLD WATER LINES EXPOSED DOWN WALL AND RUN BELOW COUNTER TO CONNECT TO FIXTURES. PROVIDE SHUT-OFF VALVES AT EACH FIXTURE.
- 2 DROP 1/2" HOT AND COLD WATER LINES EXPOSED DOWN WALL AND RUN BELOW FIXTURE TO CONNECT. PROVIDE SHUT-OFF VALVES AT FIXTURE.
- 3 MOUNT TRAP PRIMER AS SPECIFIED AT 4" ABOVE FLOOR. TRAP PRIMER TO BE RECESSED IN WALL WITH COVER. DROP 1/2" COLD WATER LINES DOWN THRU FLOOR SINK WITH SEPARATE LINE. REFER TO FOUNDATION PLAN ON SHEET P0.5 FOR ROUTING OF PIPES AND TO DETAIL A/P.2 FOR TYPICAL PRIMER MANIFOLD INSTALLATION.
- 4 RUN CONDENSATE DRAIN LINE FROM COOLER/FREEZER UNITS TO NEAREST FLOOR SINK. PROVIDE HEAT TAPE ON PIPING WHERE LINE IS SUBJECT TO FREEZING. FIELD VERIFY EXACT LOCATION OF REFRIGERANT EQUIPMENT, CONNECTION POINT, AND LINE SIZE AND ROUTING.
- 5 CONNECT 1" (LOW PRESSURE) GAS LINE TO EQUIPMENT IN CEILING SPACE. REFER TO DETAIL A/P.2 FOR TYPICAL CONNECTIONS.
- 6 TYPICAL ISOLATION VALVE ON WATER LINES ABOVE CEILING. LOCATE IN ACCESSIBLE LOCATIONS.
- 7 CONNECT HOT WATER LINE TO FILTER. RUN PIPING BETWEEN FILTER, BOOSTER HEATER AND DISHWASHER AS REQUIRED.



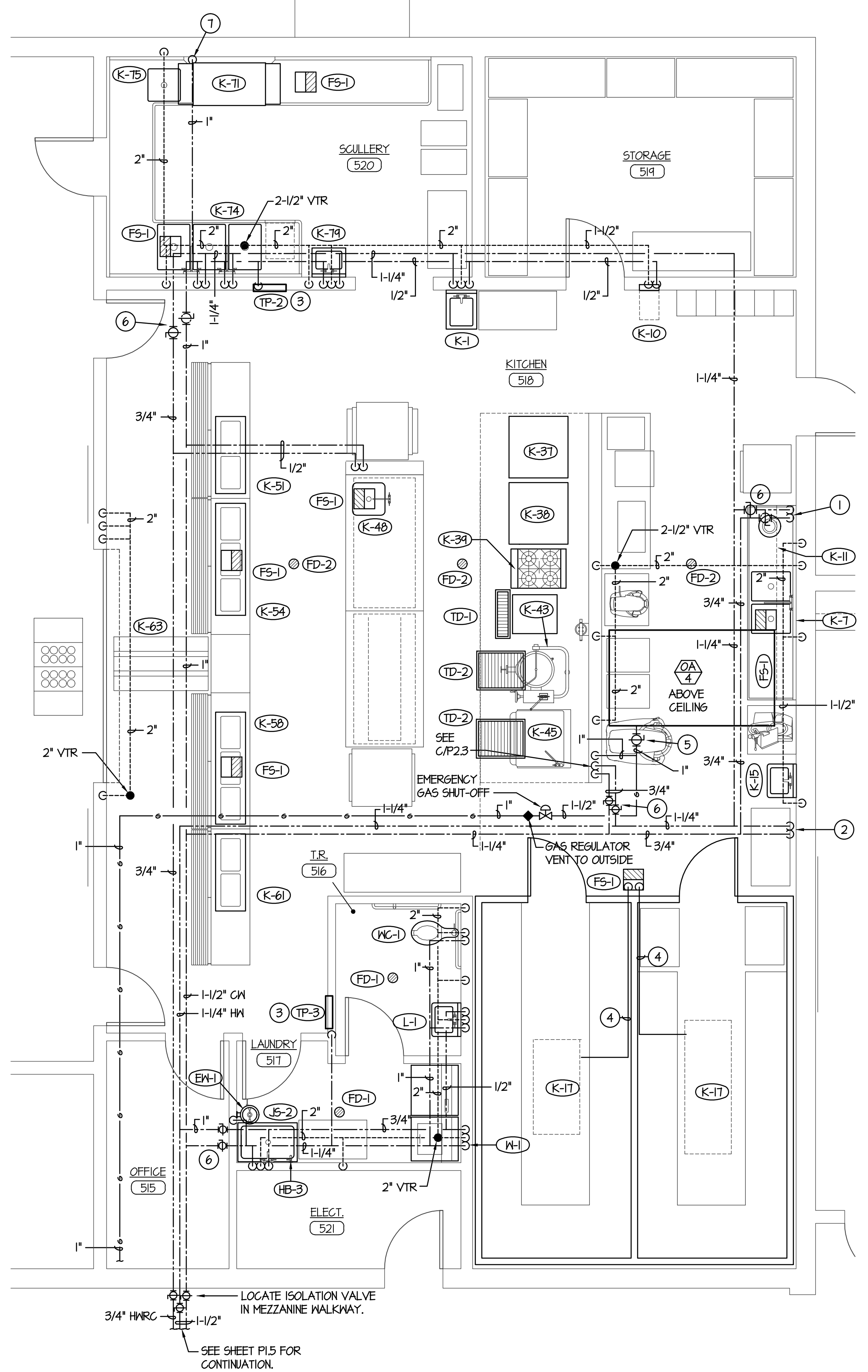
A GREASE INTERCEPTOR DETAIL NO SCALE



B SWIVEL GAS HOSE CONNECTOR DETAIL NO SCALE

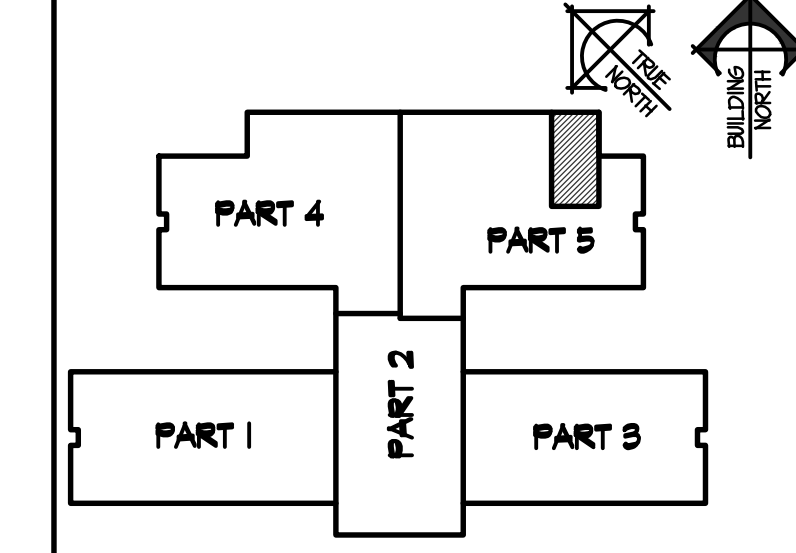


C KITCHEN WATER AND GAS PIPING ISOMTERIC NO SCALE



D LARGE SCALE KITCHEN PLAN - PLUMBING NO SCALE

KEY PLAN



ORIGINAL DRAWING SIGNED BY: DWAYNE C. SUDWEEKS
 DATE ORIGINAL SIGNED: Feb 08, 2019
 ORIGINAL ON FILE AT ENGINEERED SYSTEMS ASSOCIATES
 1355 EAST CENTER, POCAATELLO, IDAHO 83201

Engineered Systems Associates
 1355 EAST CENTER
 POCAATELLO, IDAHO 83201
 PHONE: (208) 233-0501
 FAX: (208) 233-0529
 EMAIL: esa@engsystems.com
 ESA JOB NUMBER: 18070

nbw architects p.a.
 ARCHITECTURE / PLANNING / INTERIORS
 SCOTT L. NELSON, AIA, KEVIN R. BODILY, AIA, JAMES H. WYATT, AIA
 990 JOHN ADAMS PARKWAY P.O. BOX 2212 - IDAHO FALLS, IDAHO 83402-2212
 (P) 208-522-8779 (F) 208-522-8785 (W) nbwarchitects.com

NEW ELEMENTARY SCHOOL FOR
JEFFERSON COUNTY SCHOOL DISTRICT 251
 ELEMENTARY SCHOOL
 RIGBY, IDAHO
 LARGE SCALE KITCHEN PLAN AND DETAILS

PROJECT: 18070
 DATE: FEBRUARY 2019
 DRAWN BY: M. JENSEN
 CHECKED BY: D. SUDWEEKS
 DRAWING NO.: P2.3

2/9/2019 9:29:09 AM F:\18\18070 Jefferson Co. Elem (Rigby)\18070-P2.3.dwg