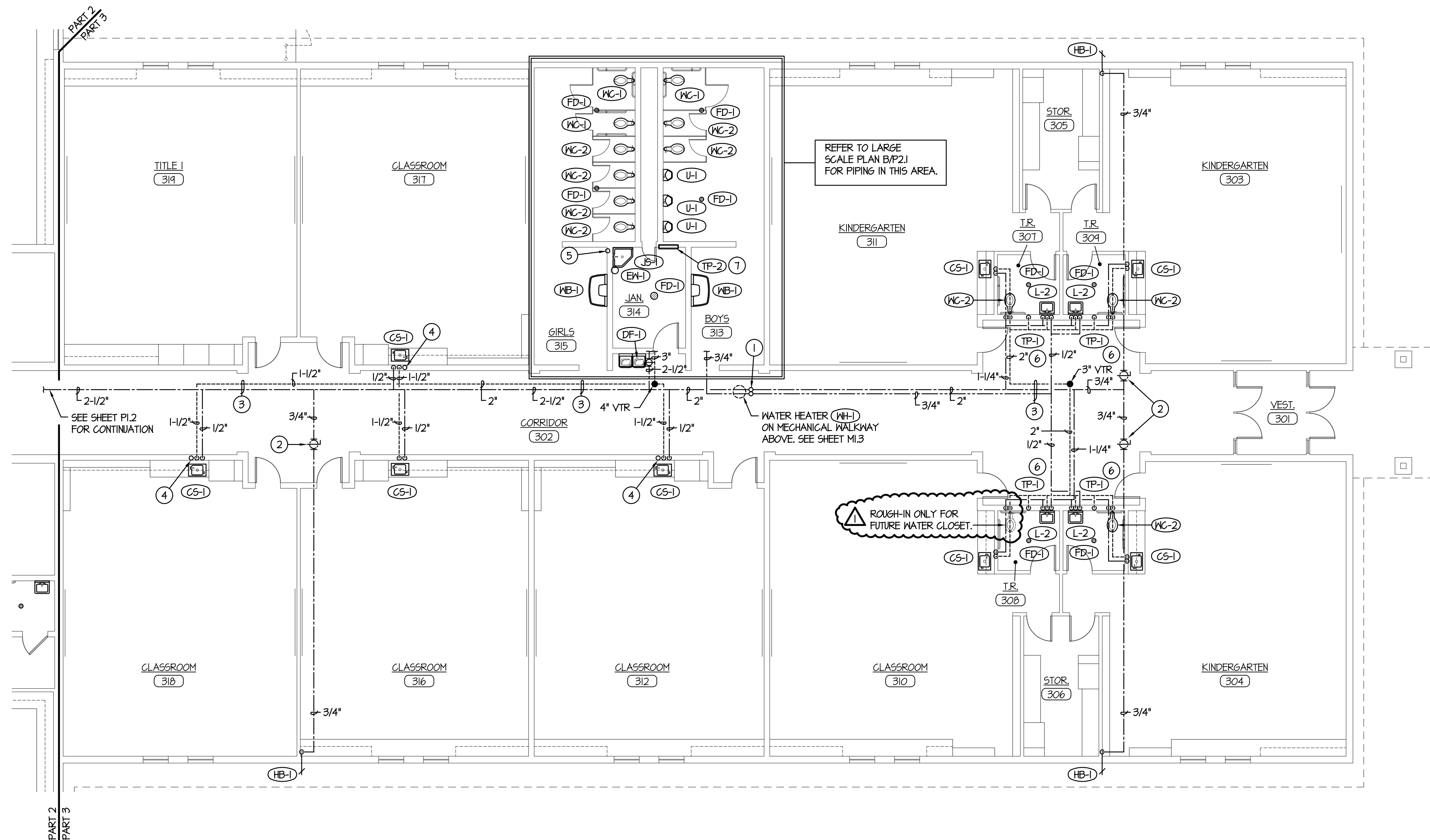


REVISIONS	
2-12-19	CONSTRUCTION SET
△	ADDENDUM #1

PROJECT NO.
 18012
 DATE:
 FEBRUARY 2019
 DRAWN BY:
 M JENSEN
 CHECKED BY:
 D SUDWEEKS

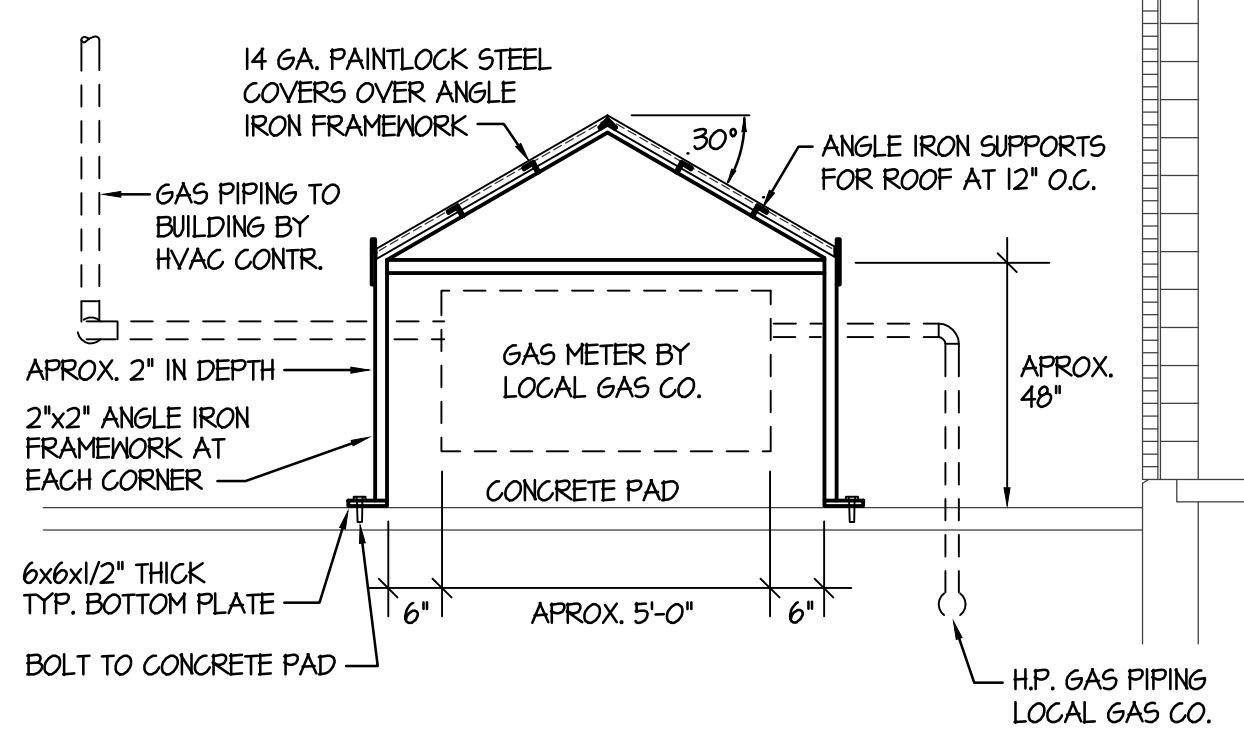
DRAWING NO.:
P1.3

- PLAN NOTES:**
- RISE 3/4" HOT AND COLD WATER LINES UP THRU MEZZANINE FLOOR AND CONNECT TO WATER HEATER ABOVE. REFER TO SHEET M1.3 FOR LOCATION OF WATER HEATER AND TO DETAIL B/P1.3 FOR PIPING CONNECTIONS.
 - PROVIDE SHUT-OFF VALVE IN LINES SERVING HOSE BIBBS. PLACE VALVE IN ACCESSIBLE LOCATION ON MEZZANINE WALKWAY AND LABEL. GRADE WATER PIPING DOWN TOWARD HOSE BIBB FOR DRAINAGE DURING COLD MONTHS.
 - RUN DOMESTIC WATER PIPING AND VENT PIPING AT FLOOR OF MEZZANINE LEVEL. SUPPORT WITH UNISTRUT PIPE SUPPORTS ON FLOOR.
 - DROP 3/4" CONDENSATE DRAIN LINE DOWN IN WALL AND EXTEND OUT BELOW CABINET. CONNECT COND. DRAIN LINE TO SINK SIDE OF P-TRAP WITH DISHWASHER TYPE CONNECTION. REFER TO DETAIL C/P0.3 FOR CONNECTION TO SINK.
 - DROP 1-1/4" CONDENSATE DRAIN LINE DOWN IN WALL AND EXTEND TO SERVICE SINK. REFER TO MEZZANINE LEVEL PIPING FLOOR PLAN - SHEET M1.8 FOR CONTINUATION OF PIPING AND TO DETAIL B/P0.3 FOR TERMINATION OF PIPING AT SINK.
 - PROVIDE AND INSTALL TRAP PRIMER BELOW LAVATORY AS SPECIFIED. MOUNT RECESSED IN WALL AT 4" ABOVE FLOOR. DROP 1/2" COLD WATER LINE DOWN THRU FLOOR AND CONNECT TO FLOOR DRAIN. REFER TO DETAIL B/P0.2 FOR TYPICAL INSTALLATION.
 - PROVIDE AND INSTALL TRAP PRIMER MANIFOLD AS SPECIFIED. SURFACE MOUNT ON WALL AT 4" ABOVE FLOOR. DROP 5/8" COLD WATER LINES DOWN THRU FLOOR AND CONNECT TO INDIVIDUAL FLOOR DRAIN OR FLOOR SINKS. REFER TO DETAIL A/P0.2 FOR TYPICAL INSTALLATION.

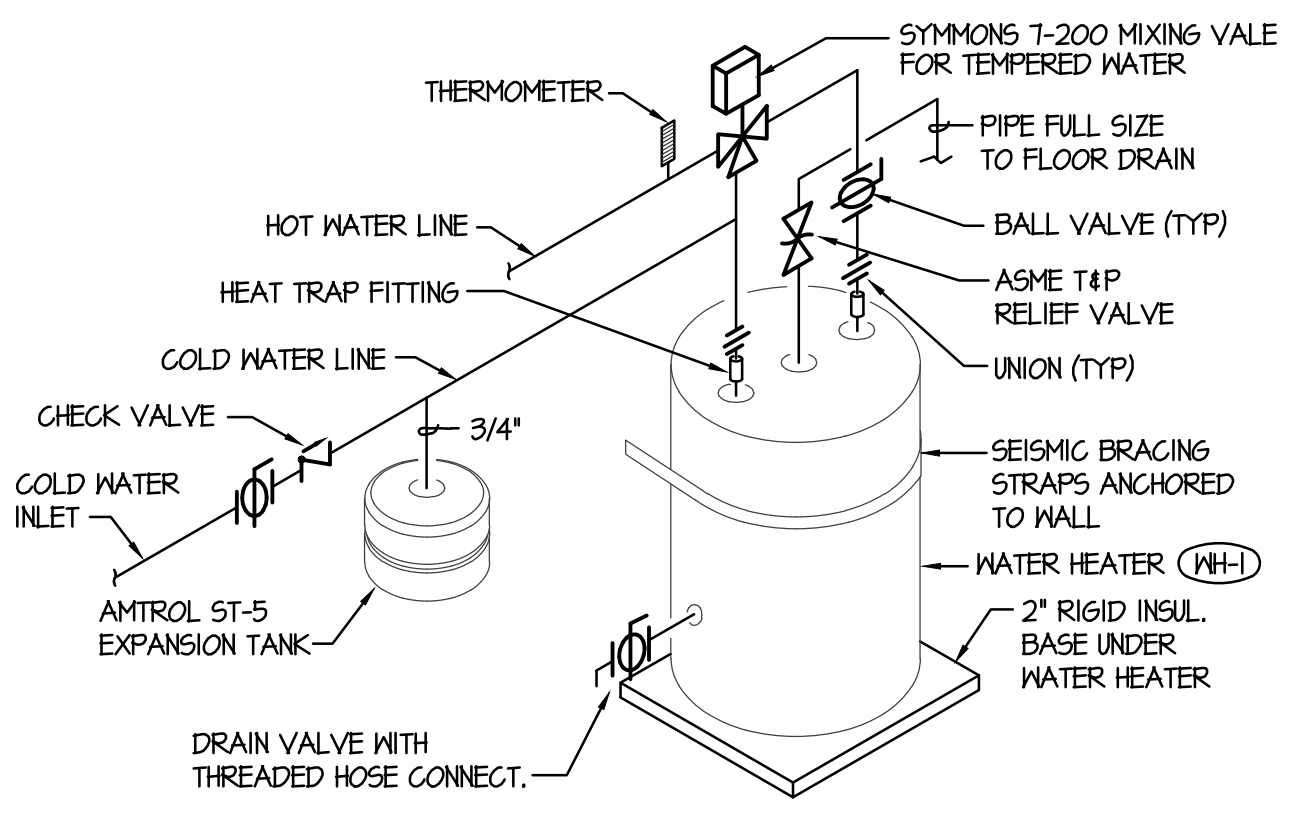


MAIN LEVEL PLUMBING FLOOR PLAN - PART 3
 SCALE: 1/8" = 1'-0"

- NOTES:**
- ALL JOINTS TO BE WELDED AND FILED SMOOTH.
 - HEIGHT AND WIDTH OF ANGLE IRON FRAMEWORK TO BE DETERMINED IN THE FIELD AFTER GAS METER AND PIPING ARE IN PLACE
 - PAIN ANGLE IRON FRAMEWORK, METAL PLATES AND ROOF PANELS WITH 2 COATS OF GRAY PRIMER AND OIL BASE PAINT. COLOR TO BE SELECTED BY THE ARCHITECT.

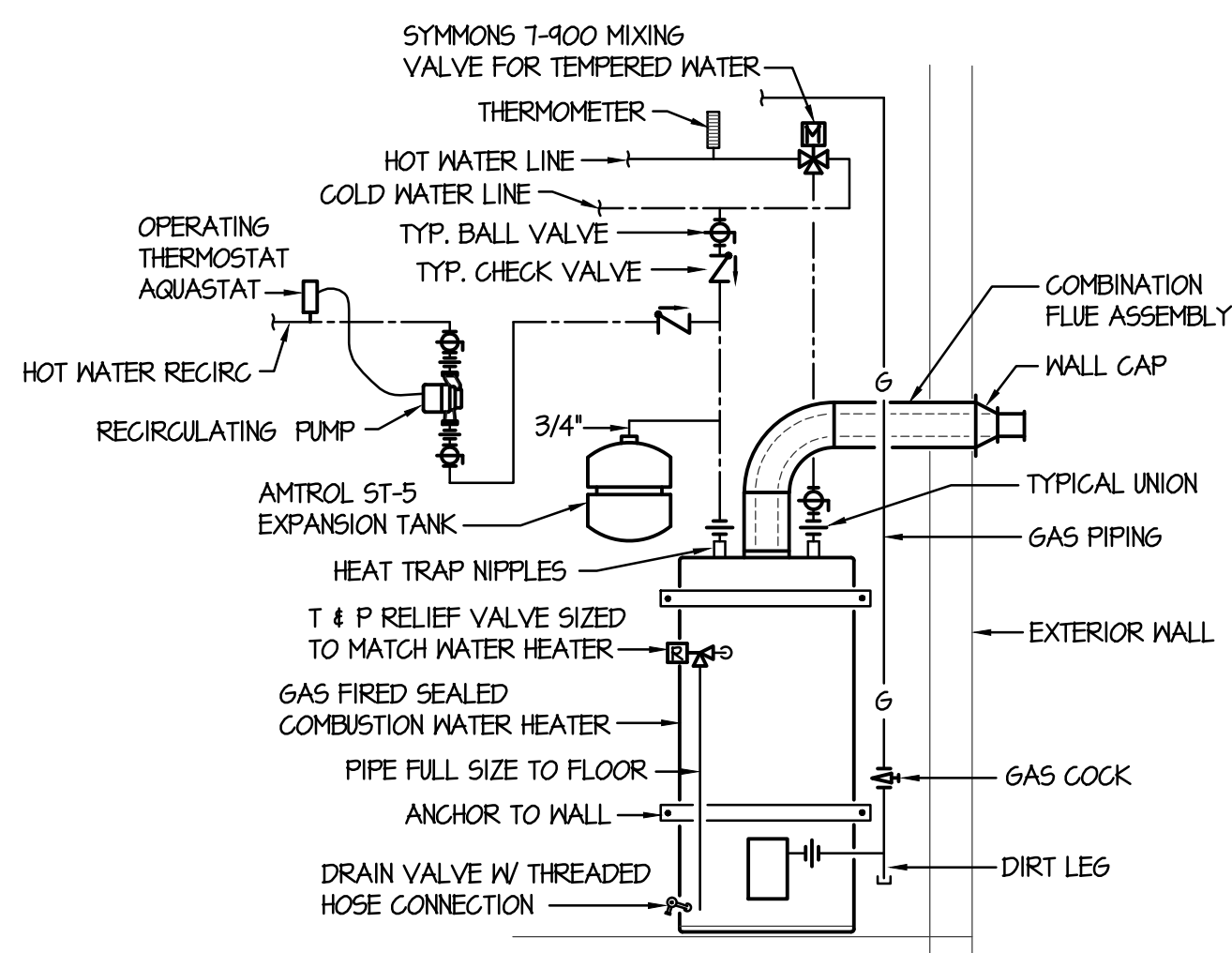


A GAS METER COVER DETAIL



B ELECT. WATER HEATER PIPING

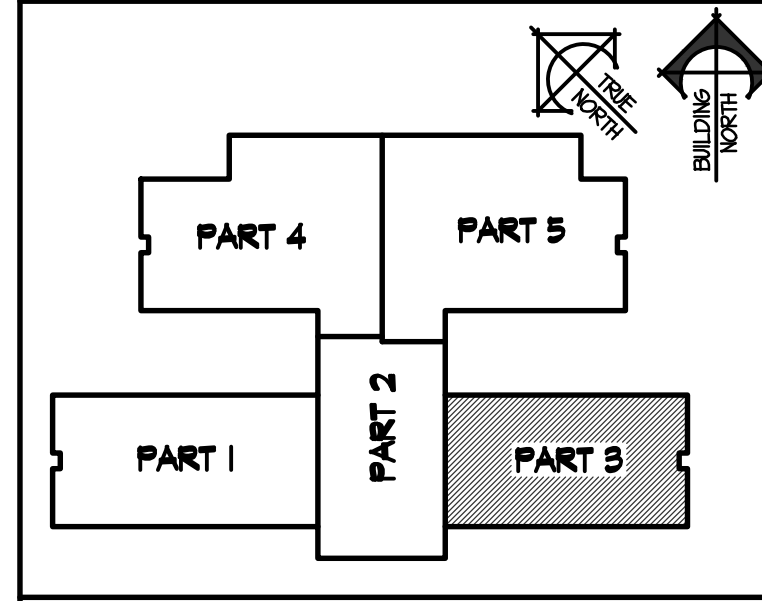
NO SCALE



C GAS FIRED WATER HEATER DETAIL

NO SCALE

KEY PLAN



ORIGINAL DRAWING SIGNED BY: DWAYNE C. SUDWEEKS
 DATE ORIGINAL SIGNED: Feb 08, 2019
 ORIGINAL ON FILE AT ENGINEERED SYSTEMS ASSOCIATES
 1355 EAST CENTER, POCAATELLO, IDAHO 83201

Engineered Systems Associates
 1355 EAST CENTER
 POCAATELLO, IDAHO 83201
 PHONE: (208) 233-0501
 FAX: (208) 233-0529
 EMAIL: esa@engsystems.com
 ESA JOB NUMBER: 18070