

**A DISHWASHER EXHAUST DETAIL**

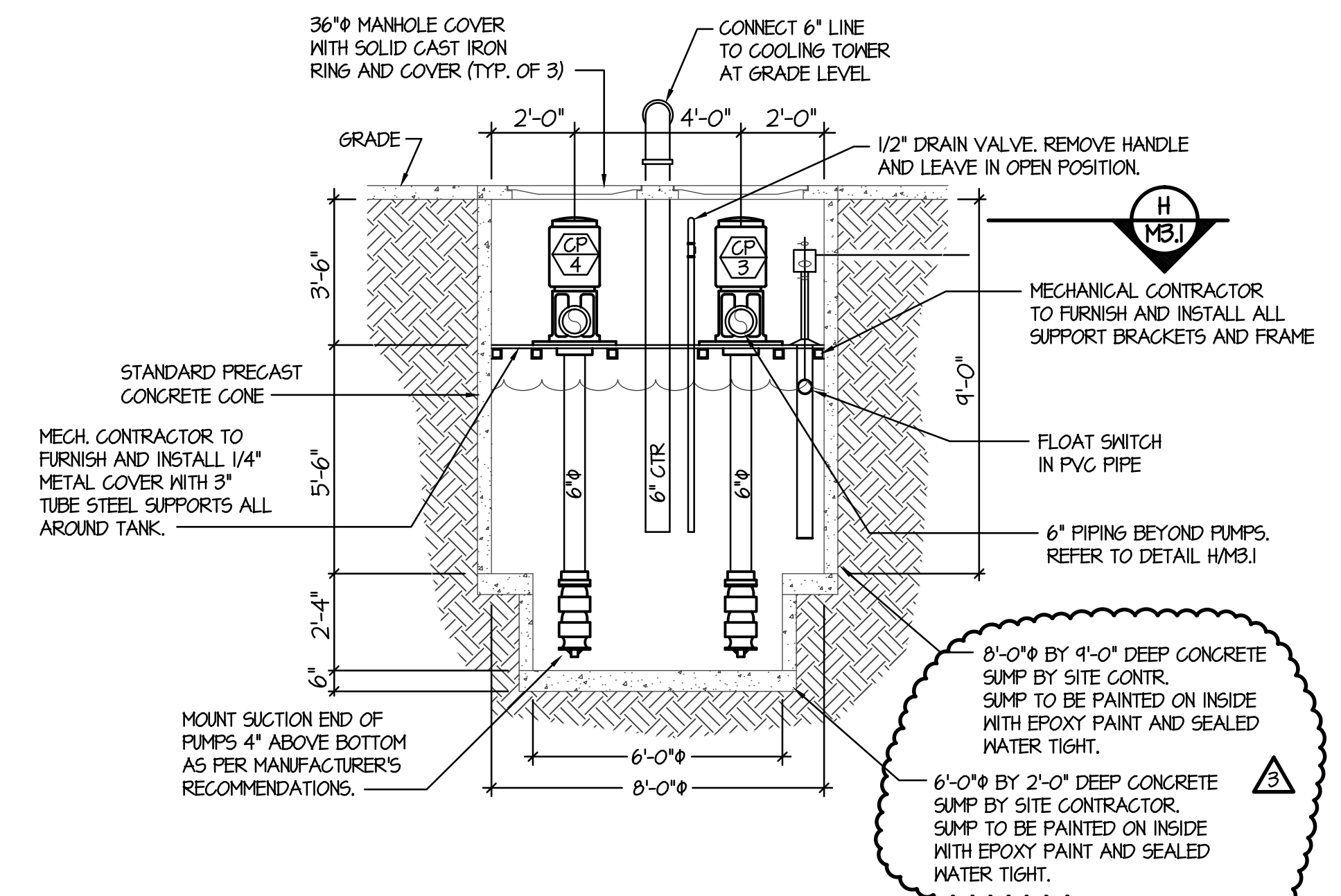
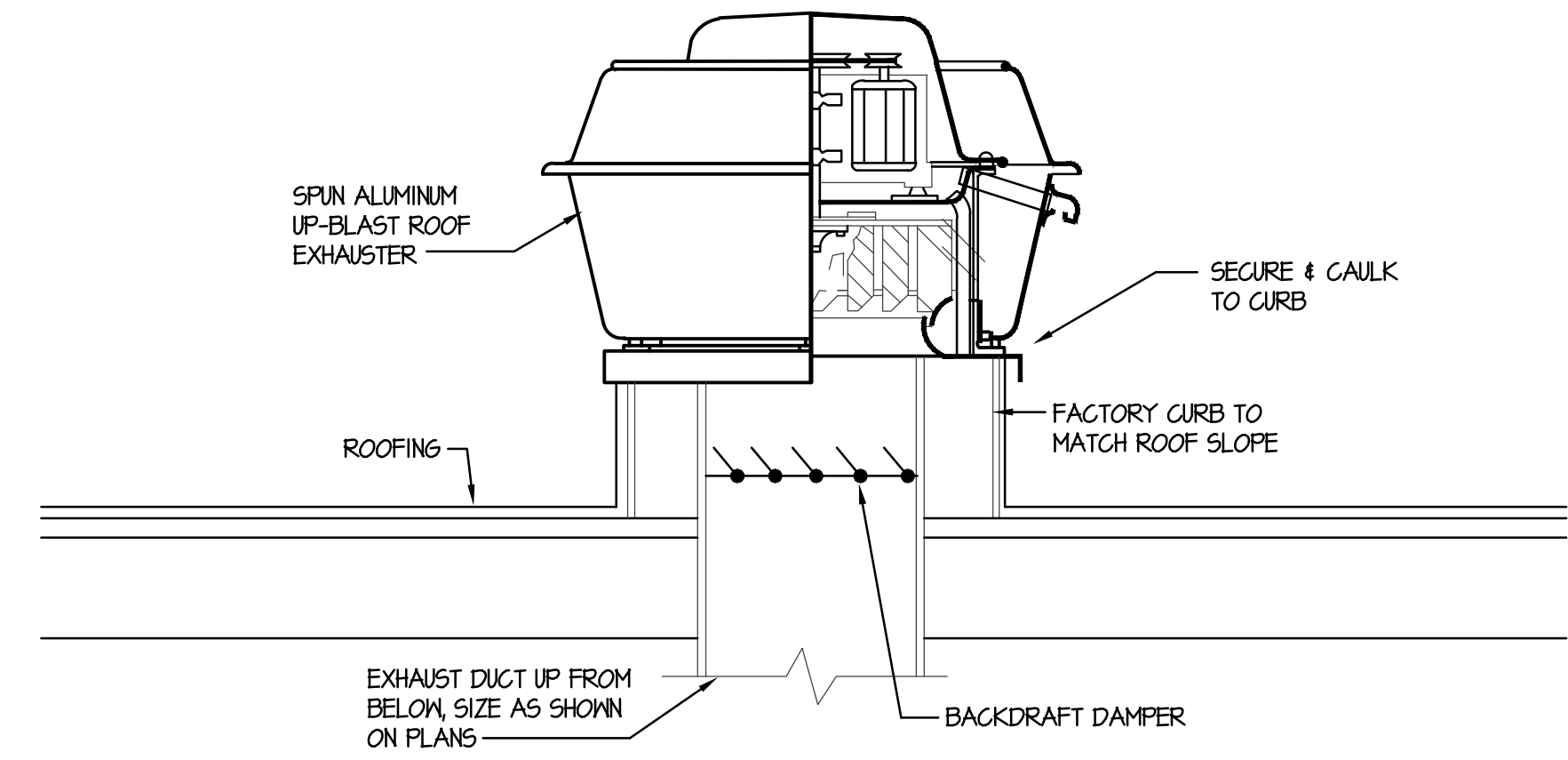
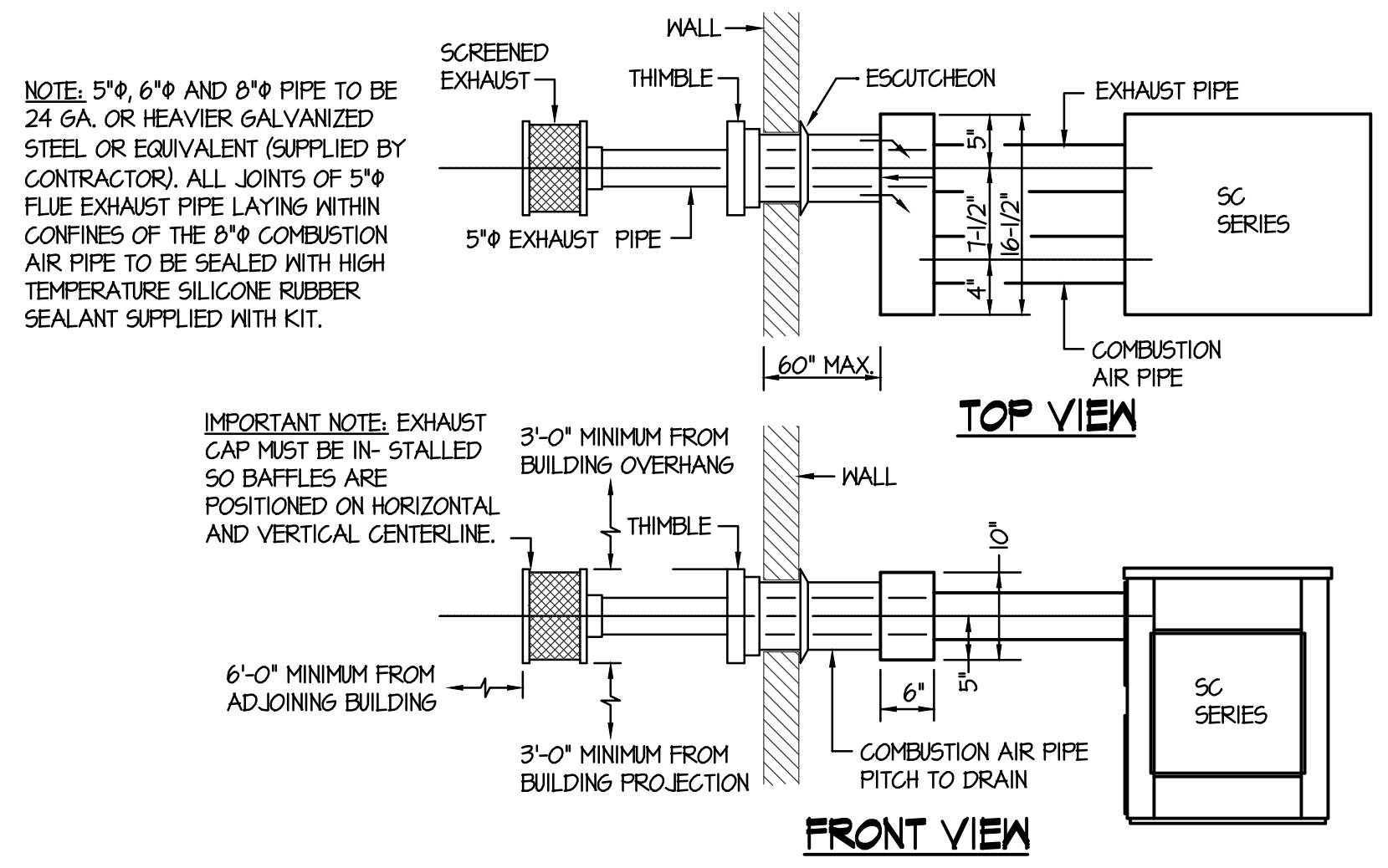
NO SCALE

**B KITCHEN HOOD DETAILS**

NO SCALE

**C RELIEF AIR LOUVER DETAIL**

NO SCALE



**D SEALED COMBUSTION MAKE-UP UNIT DETAIL**

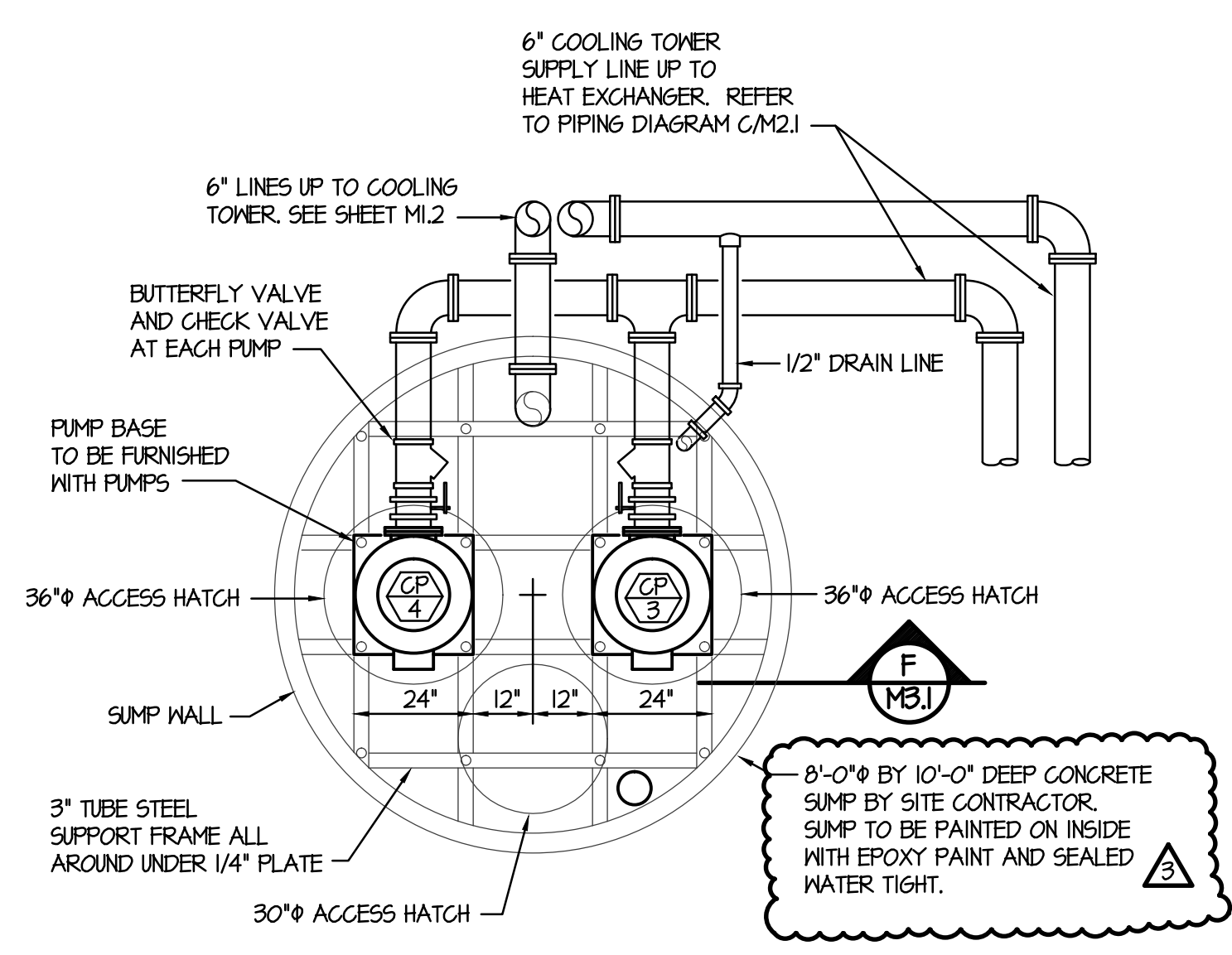
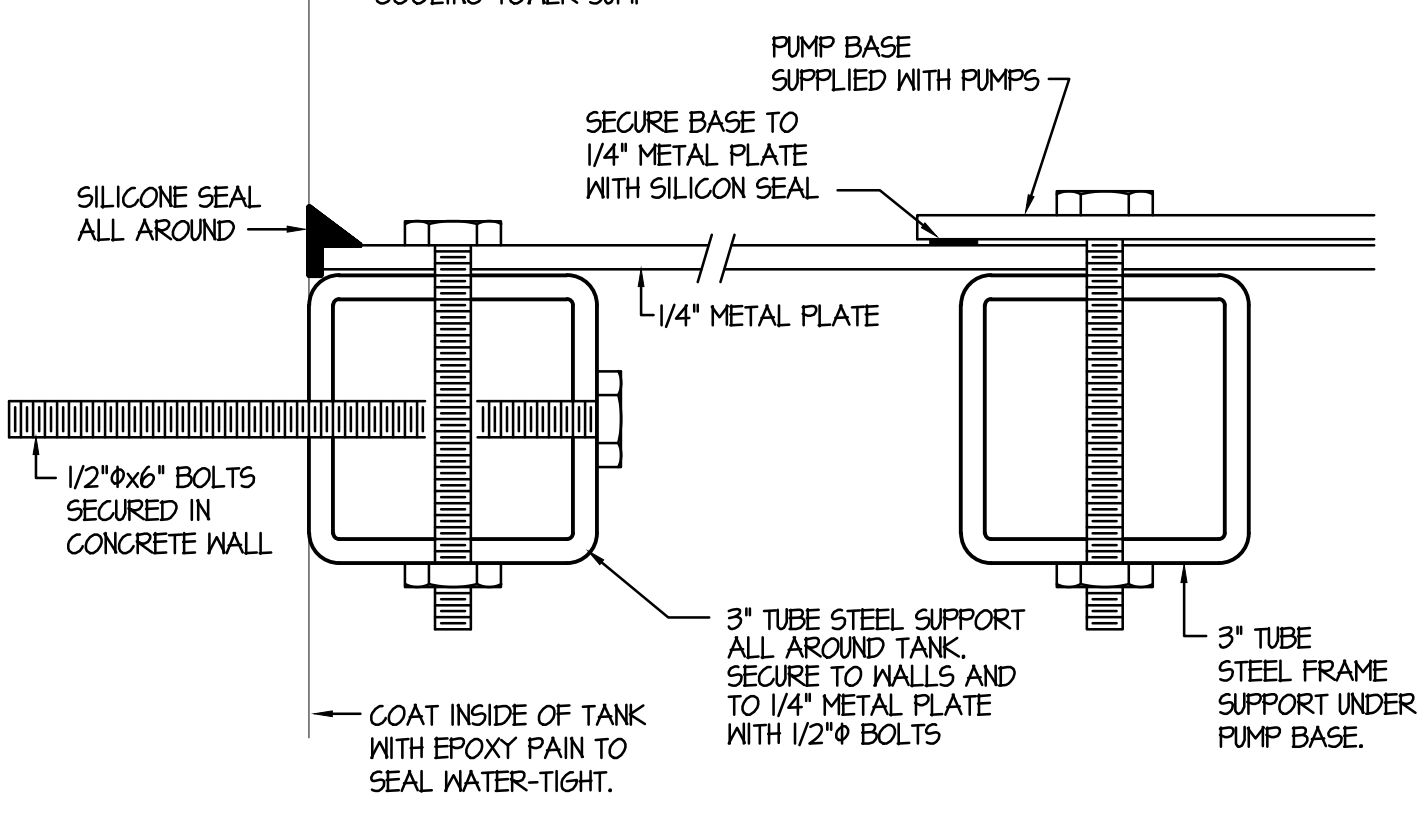
NO SCALE

**E ROOF MOUNTED EXHAUST FAN INSTALLATION**

NO SCALE

**F COOLING TOWER SUMP DETAIL**

NO SCALE



**G METAL PLATE FASTER DETAIL**

NO SCALE

**H COOLING TOWER SUMP DETAIL**

NO SCALE

**nbw architects p.a.**  
 ARCHITECTURE / PLANNING / INTERIORS  
 SCOTT L. NIELSON, A.I.A. KEVIN R. BODILY, A.I.A. JAMES H. WYATT, A.I.A.  
 990 JOHN ADAMS PARKWAY P.O. BOX 2212 - IDAHO FALLS, IDAHO 83402-2212  
 (P) 208-522-8779 (F) 208-522-8785 (W) idnwarchitects.com

NEW ELEMENTARY SCHOOL FOR  
**JEFFERSON COUNTY SCHOOL DISTRICT 251**  
 ELEMENTARY SCHOOL  
 RIGBY, IDAHO

MECHANICAL DETAILS AND DIAGRAMS

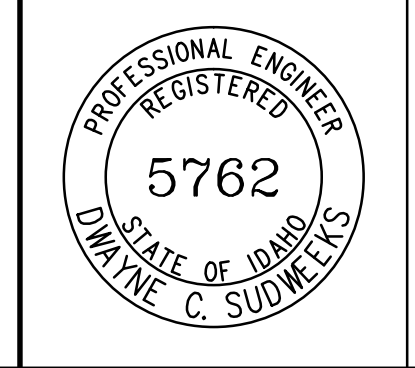
REVISIONS

2-12-19	CONSTRUCTION SET
▲	ADDENDUM #1
▲	ADDENDUM #2
▲	ADDENDUM #3

PROJECT NO.  
18012  
 DATE:  
FEBRUARY 2019  
 DRAWN BY:  
M JENSEN  
 CHECKED BY:  
D SUDWEEKS

DRAWING NO.:  
**M3.1**

ORIGINAL DRAWING SIGNED BY: DWAYNE C. SUDWEEKS  
 DATE ORIGINAL SIGNED: Feb 08, 2019  
 ORIGINAL ON FILE AT ENGINEERED SYSTEMS ASSOCIATES  
 1355 EAST CENTER, POCAHELLO, IDAHO 83201



**Engineered Systems Associates**  
 1355 EAST CENTER  
 POCAHELLO, IDAHO 83201  
 PHONE: (208) 233-0501  
 FAX: (208) 233-0529  
 EMAIL: esa@engsystems.com  
 ESA JOB NUMBER: 18070

3/4/2019 2:56:51 PM F:\18\18070 Jefferson Co. Elem (Rigby)\18070-M3.1.dwg