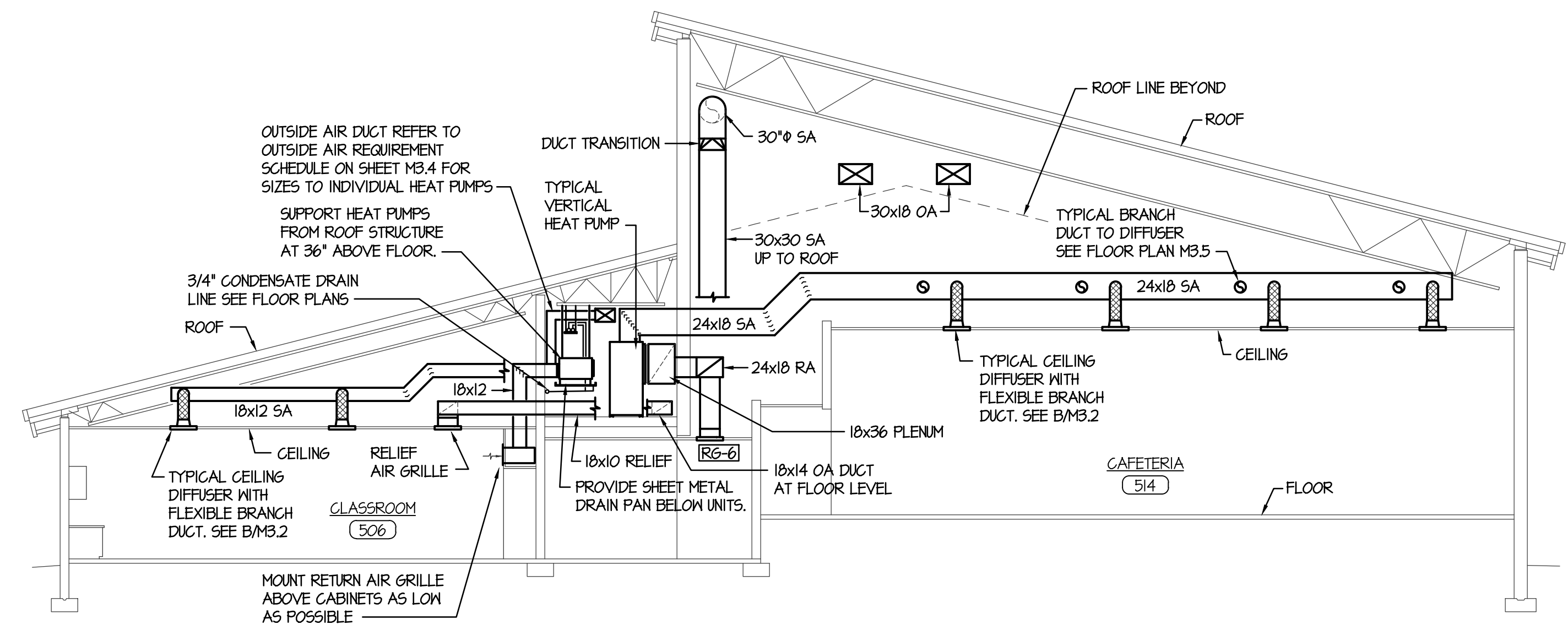


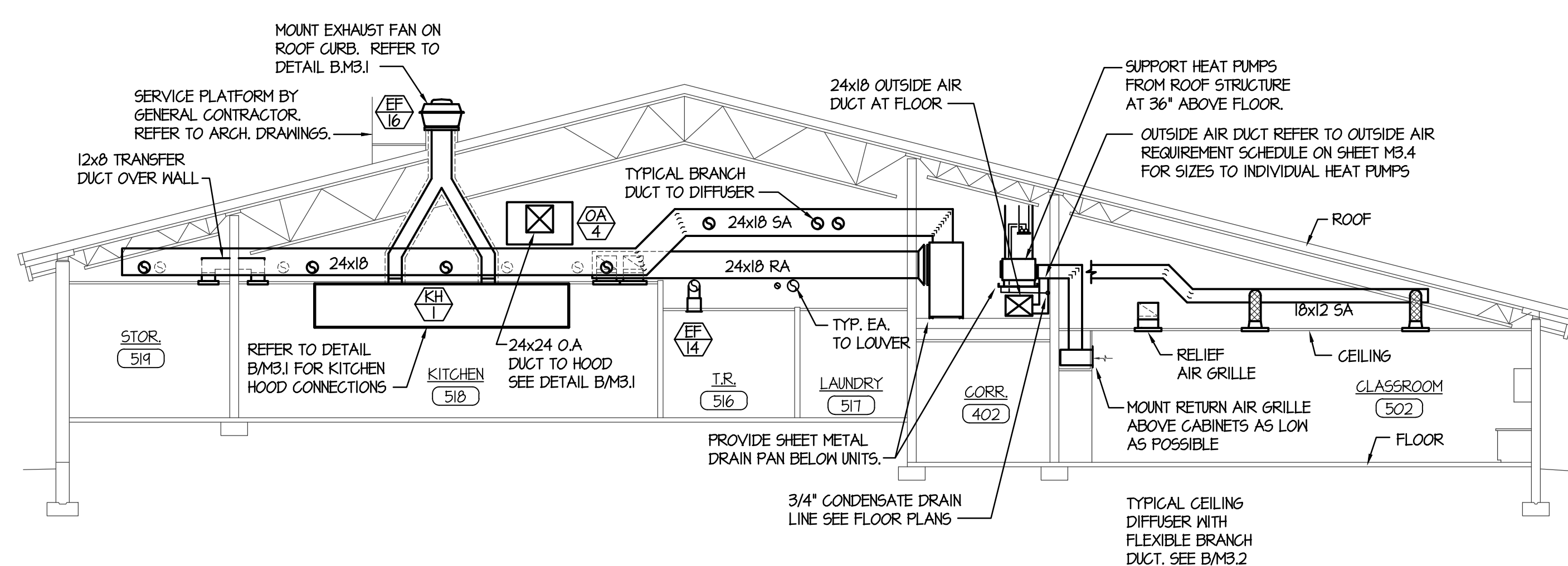
**A MECHANICAL BUILDING SECTION**

SCALE: 1/8" = 1'-0"



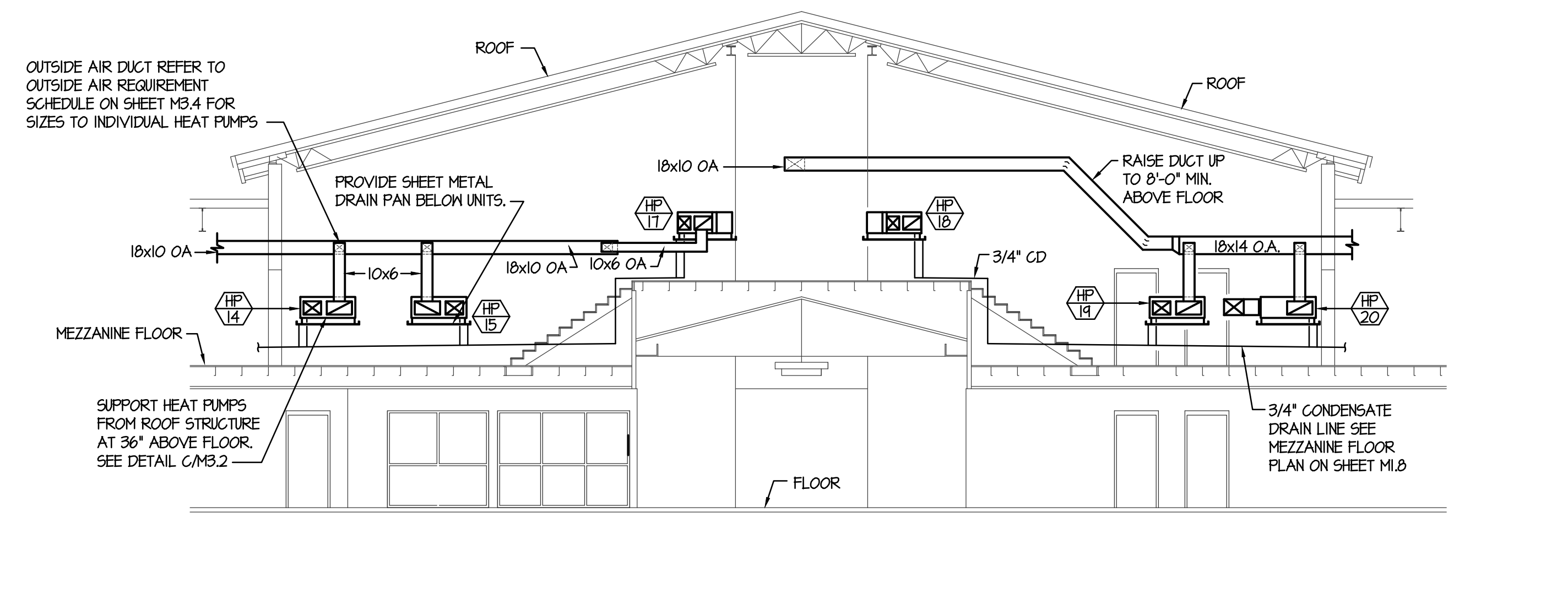
**B MECHANICAL BUILDING SECTION**

SCALE: 1/8" = 1'-0"



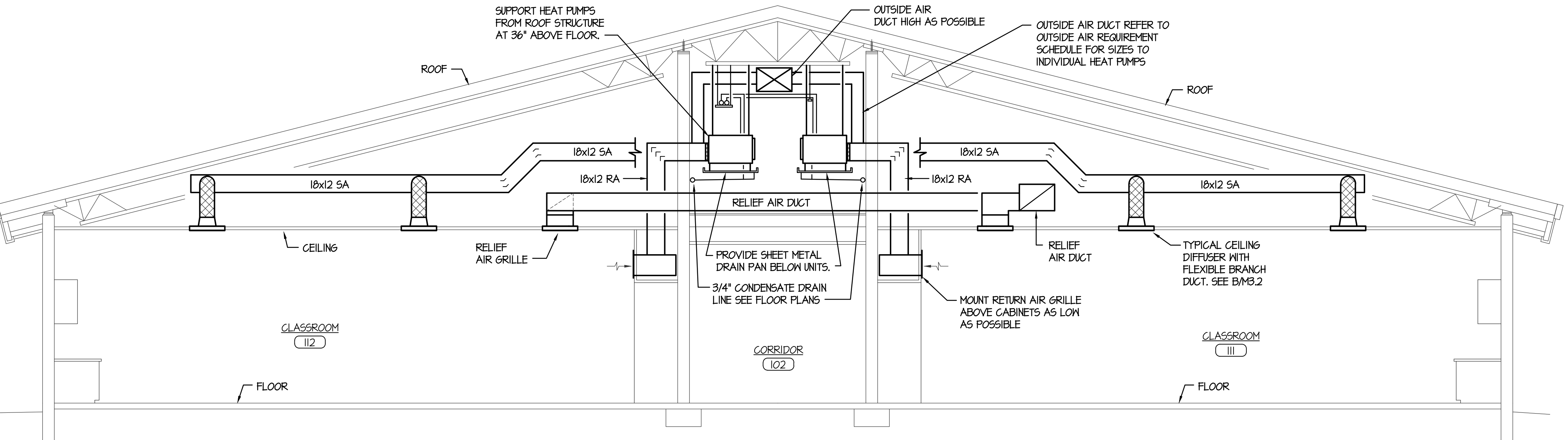
**C MECHANICAL BUILDING SECTION**

SCALE: 1/8" = 1'-0"



**D MECHANICAL BUILDING SECTION**

SCALE: 1/8" = 1'-0"



**E TYPICAL MECHANICAL BUILDING SECTION**

SCALE: 1/4" = 1'-0"

**nbw architects p.a.**  
 ARCHITECTURE / PLANNING / INTERIORS  
 SCOTT L. NELSON, A.I.A. KEVIN R. BODILY, A.I.A. JAMES H. WYATT, A.I.A.  
 990 JOHN ADAMS PARKWAY P.O. BOX 2212 - IDAHO FALLS, IDAHO 83402-2212  
 (P) 208-522-8779 (F) 208-522-8785 (W) nbwarchitects.com

NEW ELEMENTARY SCHOOL FOR  
**JEFFERSON COUNTY SCHOOL DISTRICT 251**  
 ELEMENTARY SCHOOL  
 RIGBY, IDAHO  
 MECHANICAL SECTIONS

REVISIONS

2-12-19	CONSTRUCTION SET

PROJECT NO. 18012  
 DATE: FEBRUARY 2019  
 DRAWN BY: M JENSEN  
 CHECKED BY: D SUDWEEKS

DRAWING NO.: **M2.3**

ORIGINAL DRAWING SIGNED BY: DWAYNE C. SUDWEEKS  
 DATE ORIGINAL SIGNED: Feb 08, 2019  
 ORIGINAL ON FILE AT ENGINEERED SYSTEMS ASSOCIATES  
 1355 EAST CENTER, POCA TELLO, IDAHO 83201

**Engineered Systems Associates**  
 1355 EAST CENTER  
 POCA TELLO, IDAHO 83201  
 PHONE: (208) 233-0501  
 FAX: (208) 233-0529  
 EMAIL: esa@engsystems.com  
 ESA JOB NUMBER: 18070

PROFESSIONAL ENGINEER REGISTERED  
 5762  
 STATE OF IDAHO  
 DWAYNE C. SUDWEEKS

2/9/2019 9:34:27 AM F:\18\18070 Jefferson Co. Elem (Rigby)\18070-M2.3.dwg