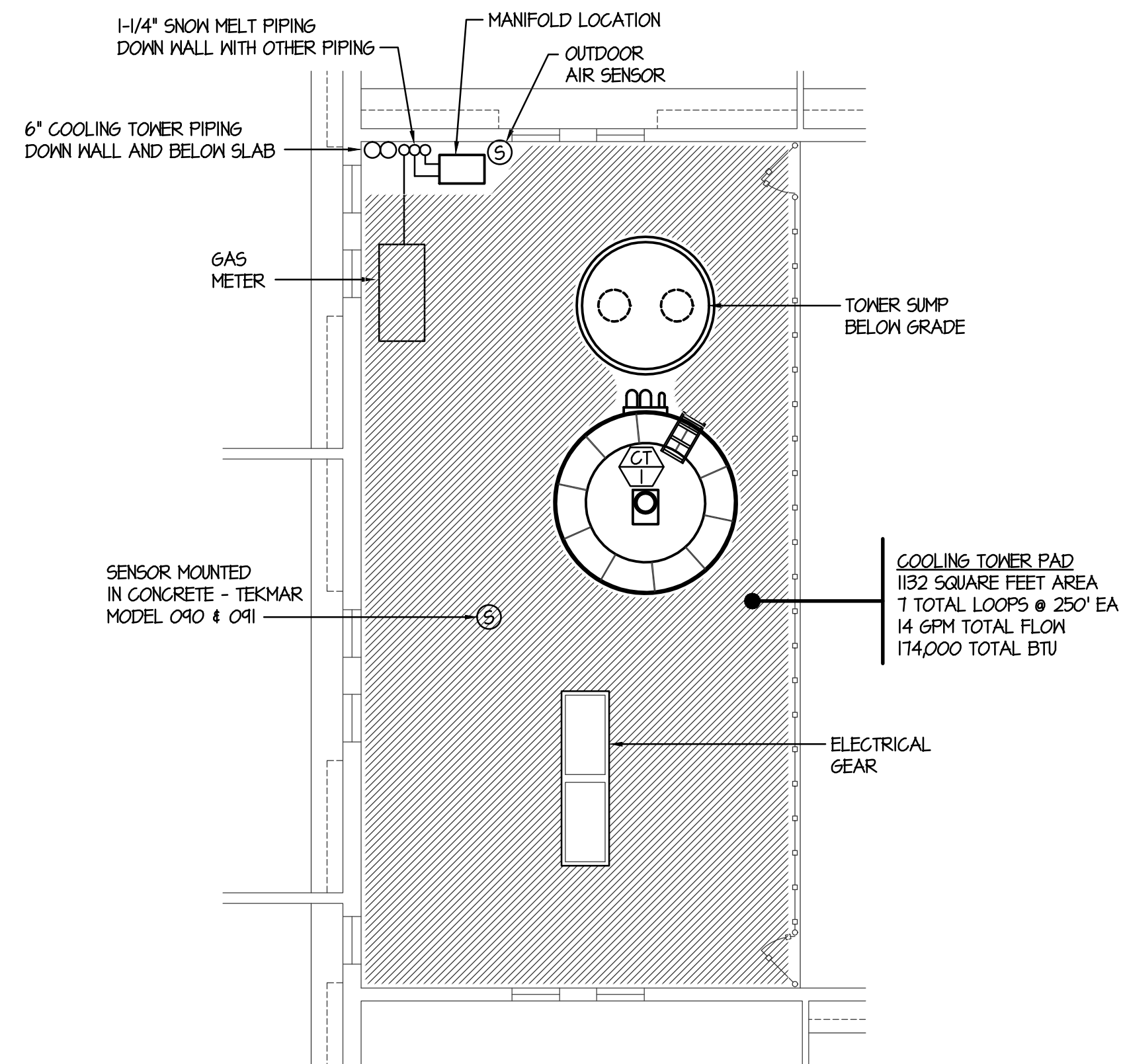


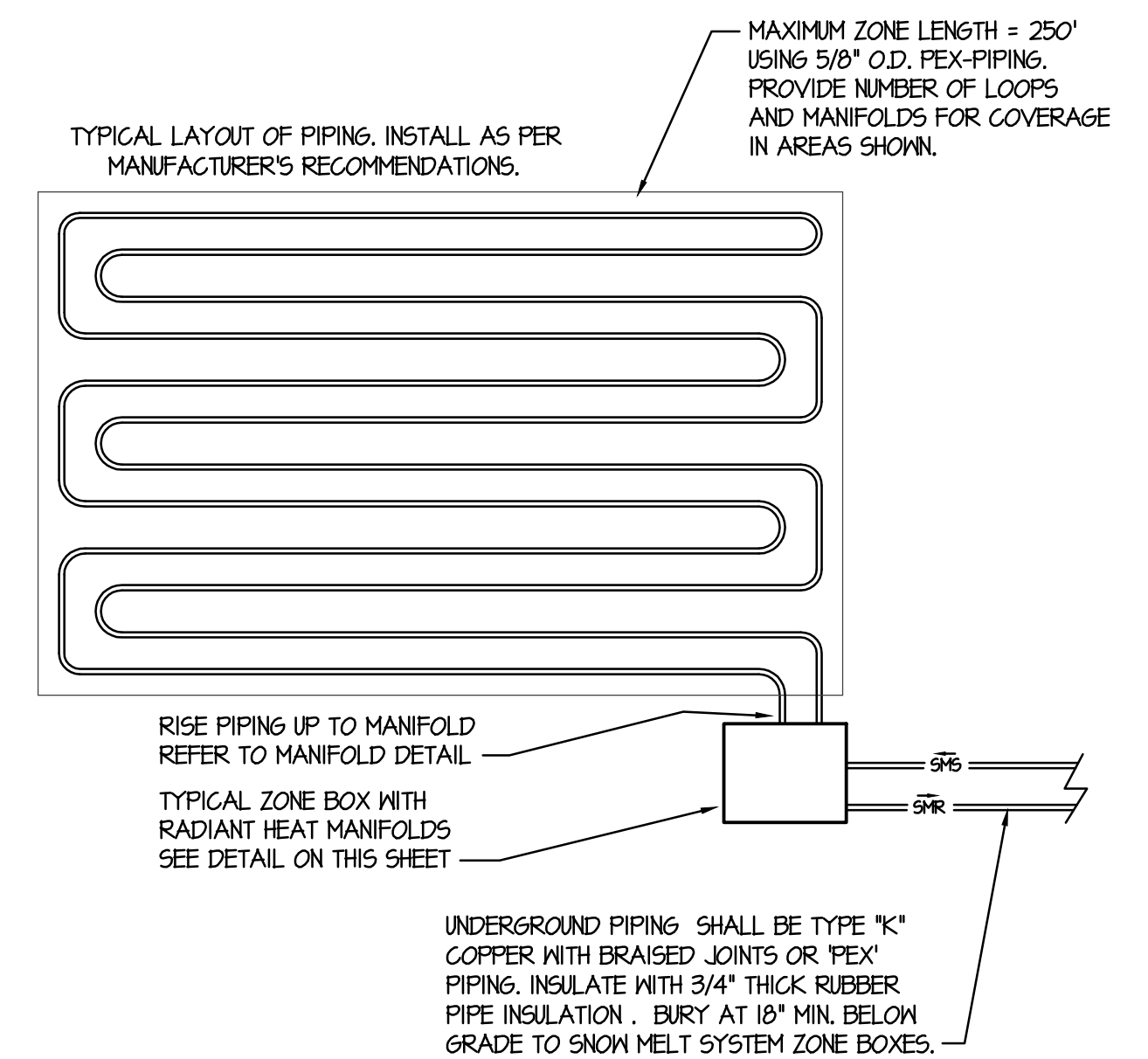
A TYPICAL HEAT RECOVERY UNIT SECTION

SCALE: 1/4" = 1'-0"

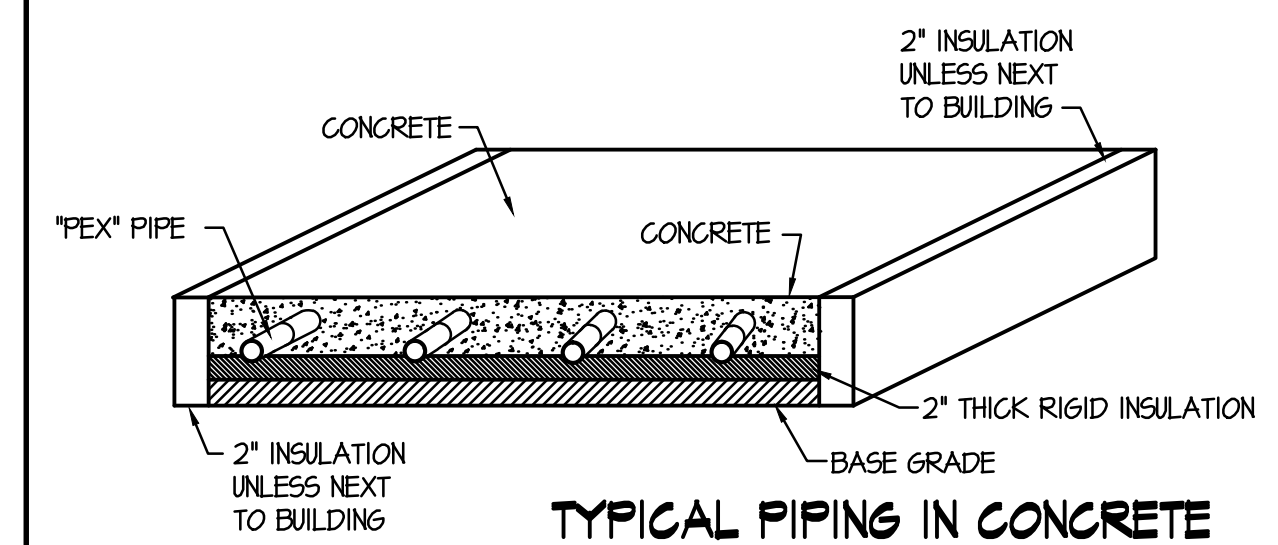


B COOLING TOWER PAD LAYOUT

SCALE: 1/8" = 1'-0"

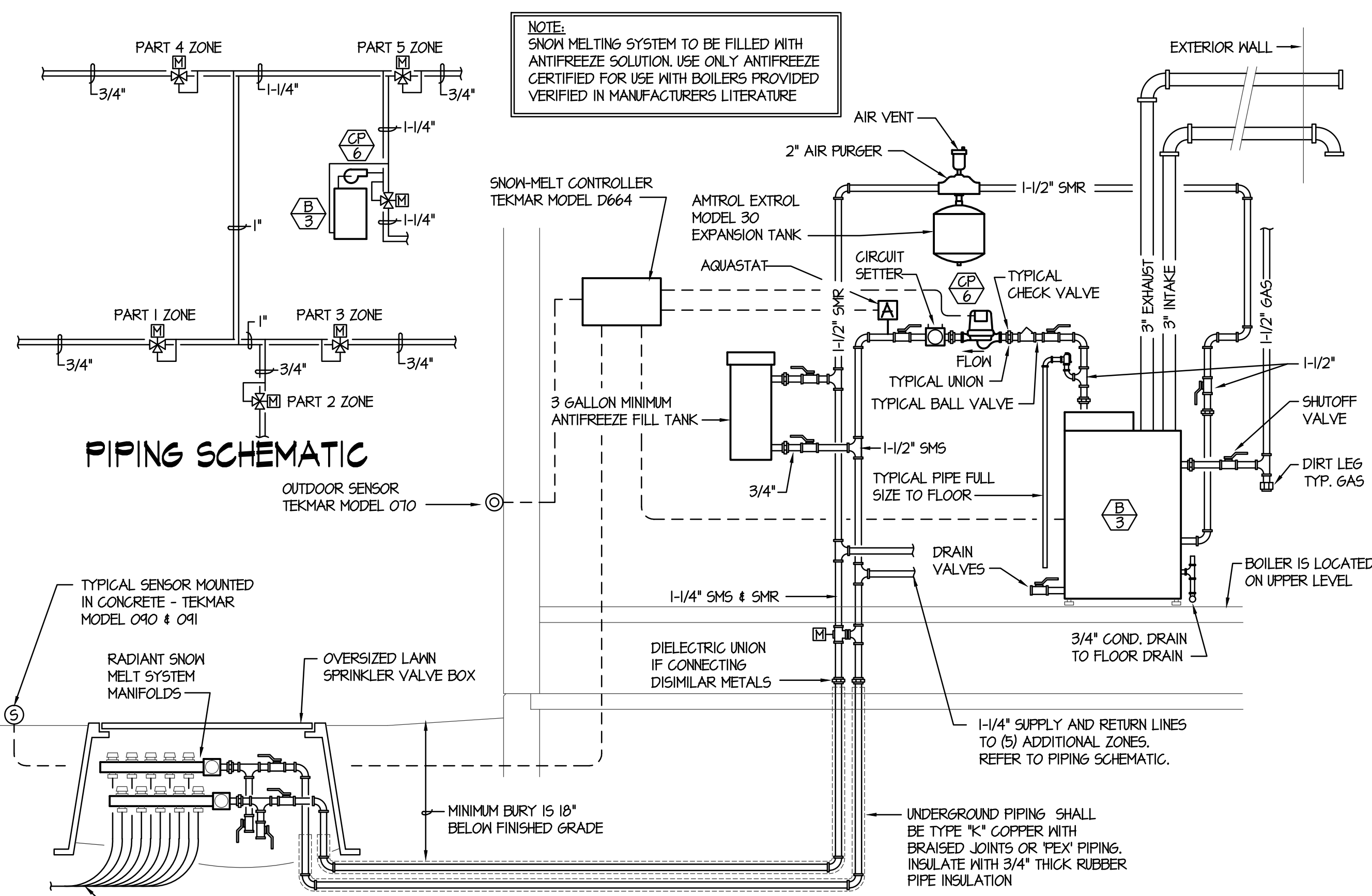


TYPICAL ZONE PIPING LAYOUT



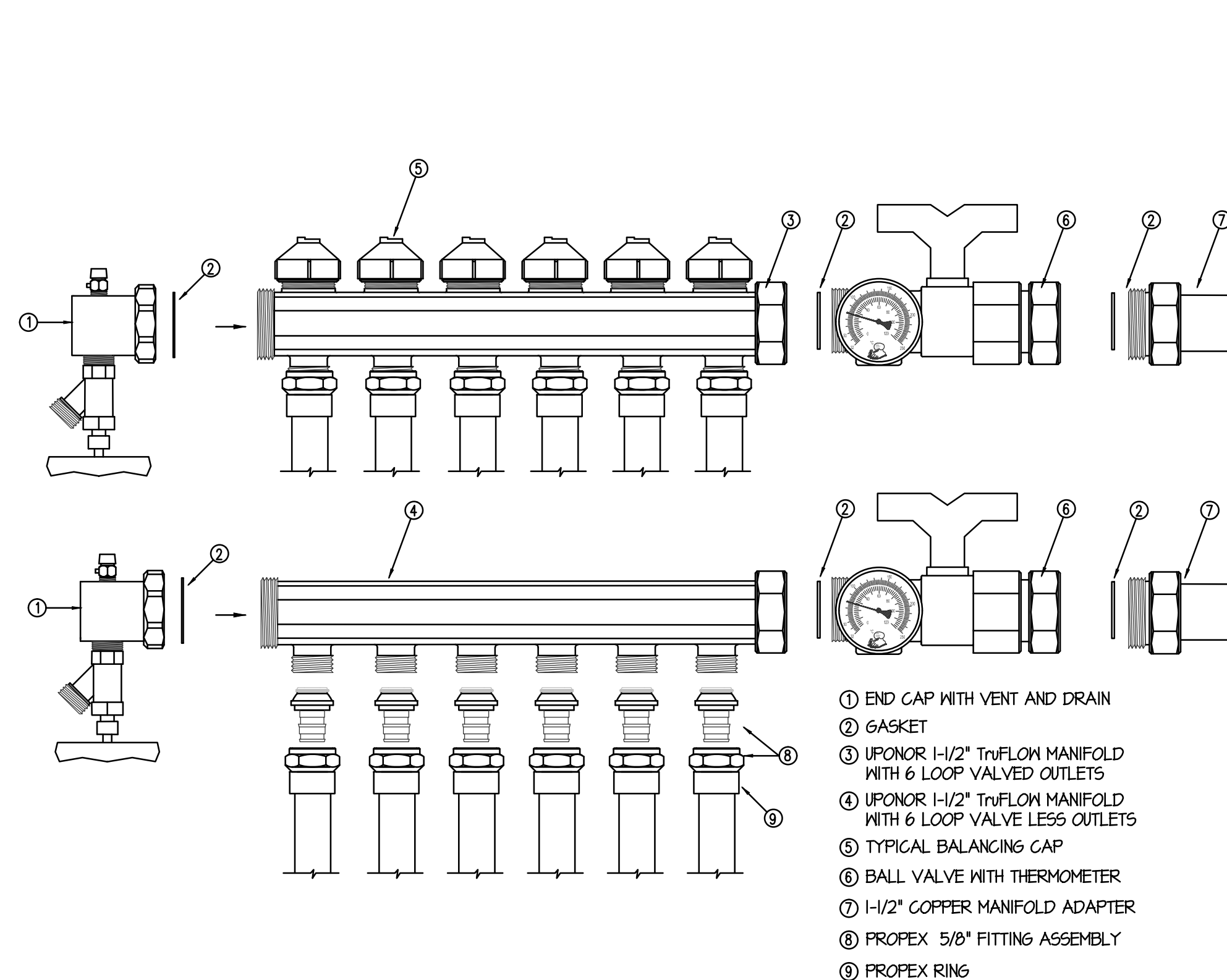
C PIPING INSTALLATION DETAILS

NO SCALE



D TYPICAL BOILER PIPING DIAGRAM

NO SCALE



E TYPICAL SNOW MELT MANIFOLD DETAIL

NO SCALE

DESIGN SUMMARY	
LOCATION	RIGBY, IDAHO
OUTDOOR DESIGN TEMP.	-10°F
WIND SPEED	10 MPH
FLUID TYPE	40% GLYCOL
TOTAL SNOWMELT AREA	1160 SQ. FT.
TOTAL HEAT LOAD	174,000 BTU
SUPPLY WATER TEMP.	134°F
TEMPERATURE DROP	25°F
SURFACE TEMPERATURE	38°F
BTU/HR/SQFT	150.0
TOTAL FLOW	14.0 GPM

ORIGINAL DRAWING SIGNED BY: DWAYNE C. SUDWEEKS
 DATE ORIGINAL SIGNED: Feb 08, 2019
 ORIGINAL ON FILE AT ENGINEERED SYSTEMS ASSOCIATES
 1355 EAST CENTER, POCAATELLO, IDAHO 83201

Engineered Systems Associates

1355 EAST CENTER
 POCAATELLO, IDAHO 83201
 PHONE: (208) 233-0501
 FAX: (208) 233-0529
 EMAIL: esa@engsystems.com
 ESA JOB NUMBER: 18070

PROJECT NO. 18012
 DATE: FEBRUARY 2019
 DRAWN BY: M. JENSEN
 CHECKED BY: D. SUDWEEKS

REVISIONS	DATE	DESCRIPTION
1	2-12-19	CONSTRUCTION SET

2/9/2019 9:34:05 AM F:\1818070\1818070-M2.2.dwg