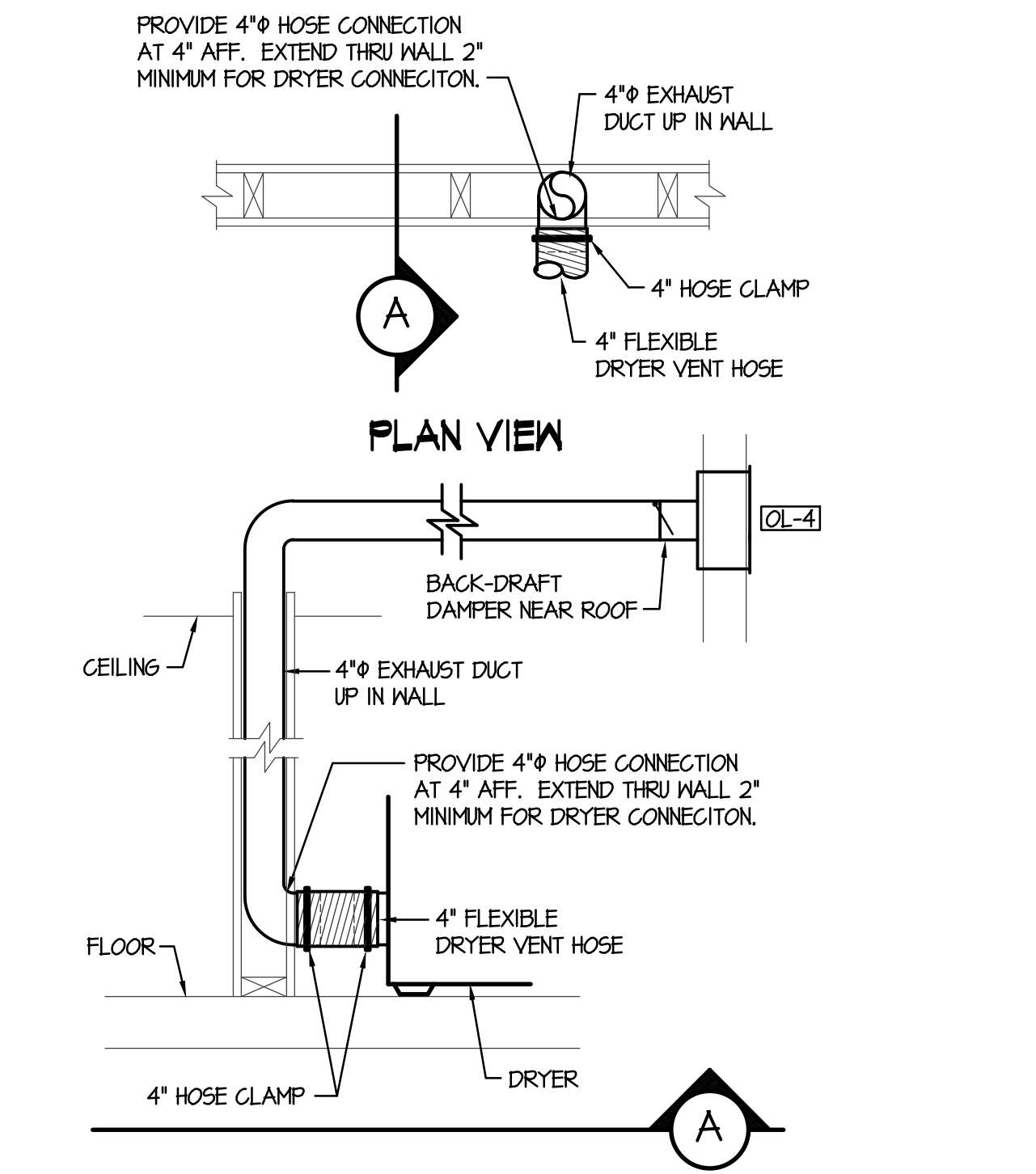
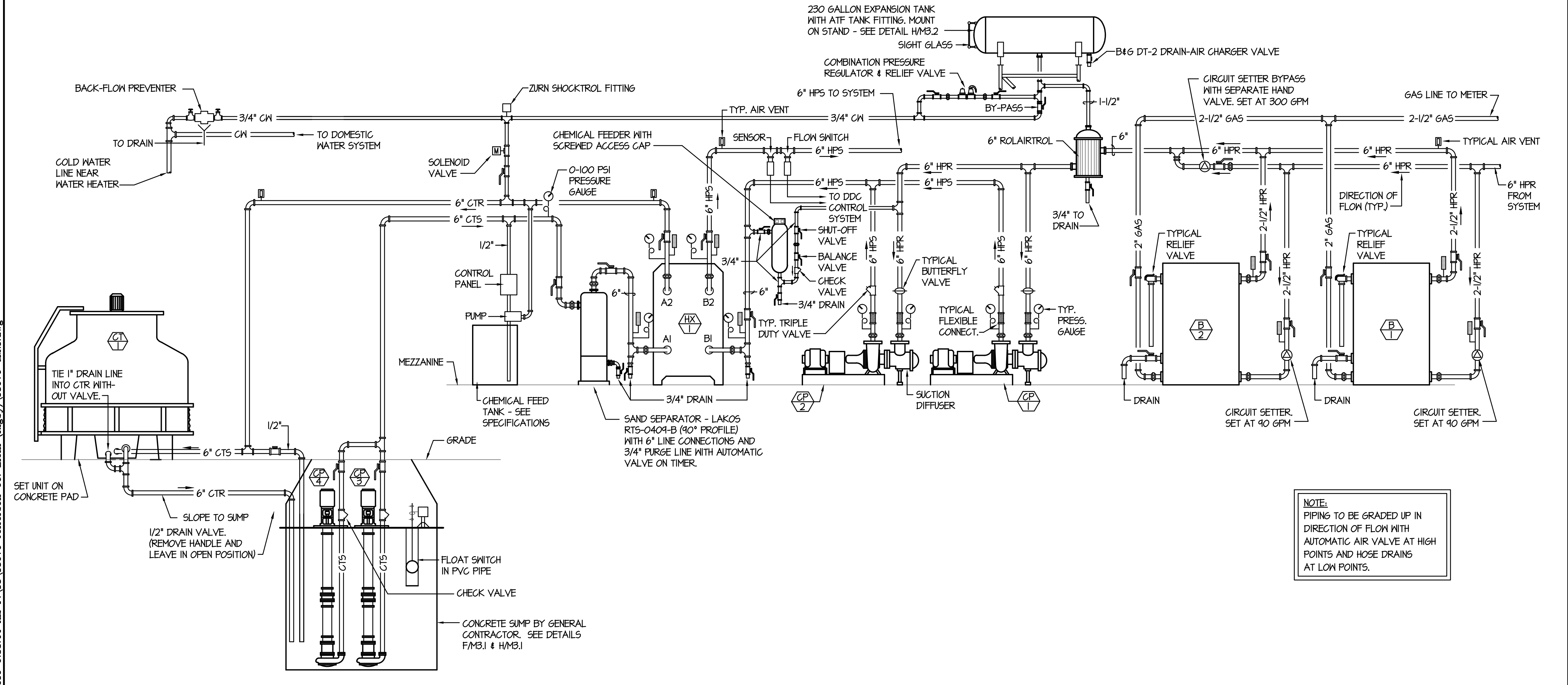


A LARGE SCALE MEZZANINE MECHANICAL ROOM

B MECHANICAL BUILDING SECTION



C BOILER PIPING DIAGRAM

D DRYER VENT DETAIL

nbw architects p.a.
 ARCHITECTURE / PLANNING / INTERIORS
 SCOTT L. NELSON, A.I.A. KEVIN R. BODILY, A.I.A. JAMES H. WYATT, A.I.A.
 990 JOHN ADAMS PARKWAY P.O. BOX 2212 - IDAHO FALLS, IDAHO 83402-2212
 (P) 208-522-8779 (F) 208-522-8785 (W) nbwarchitects.com

NEW ELEMENTARY SCHOOL FOR
JEFFERSON COUNTY SCHOOL DISTRICT 251
 ELEMENTARY SCHOOL
 RIGBY, IDAHO

REVISIONS

| | |
|---------|------------------|
| 2-12-19 | CONSTRUCTION SET |
|---------|------------------|

PROJECT NO. 18012
 DATE: FEBRUARY 2019
 DRAWN BY: M. JENSEN
 CHECKED BY: D. SUDWEEKS

PROFESSIONAL ENGINEER
 REGISTERED
 5762
 STATE OF IDAHO
 DYLANE C. SUDWEEKS

Engineered Systems Associates
 1355 EAST CENTER
 POCAHELLO, IDAHO 83201
 PHONE: (208) 233-0501
 FAX: (208) 233-0529
 EMAIL: esa@engsystems.com
 ESA JOB NUMBER: 18070

M2.1

2/9/2019 9:35:44 AM F:\18\18070 Jefferson Co. Elem (Rigby)\18070-M2.1.dwg