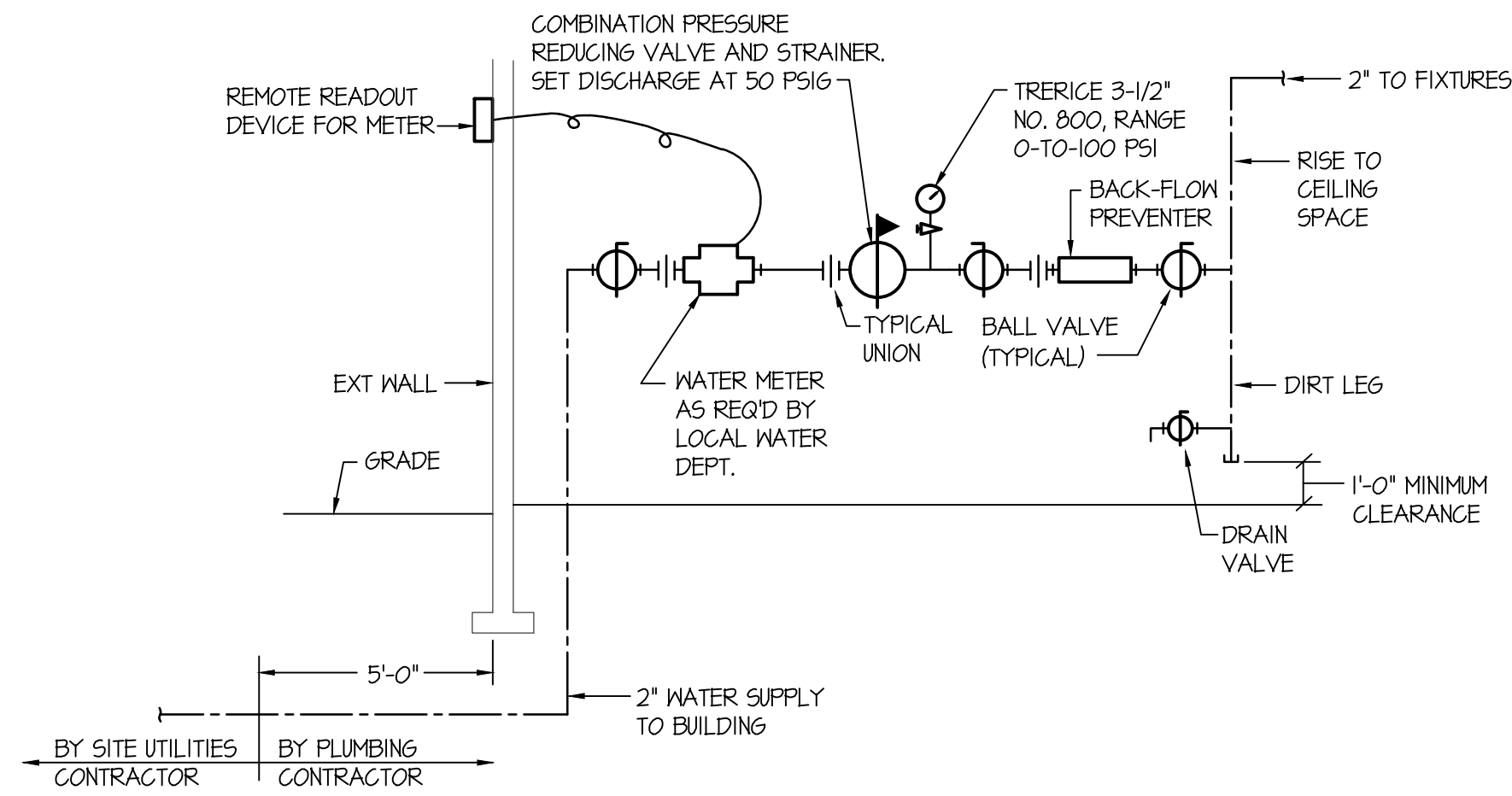
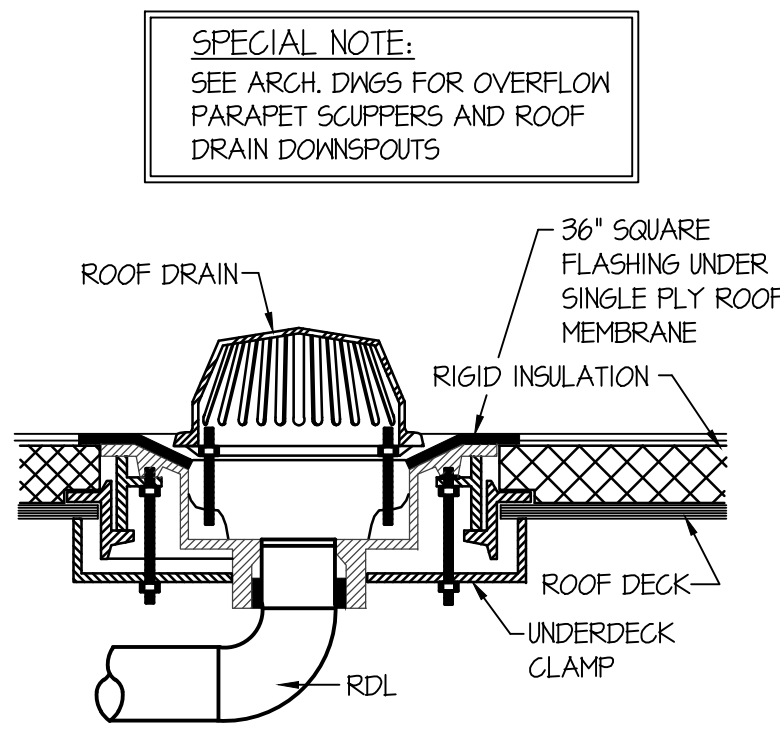


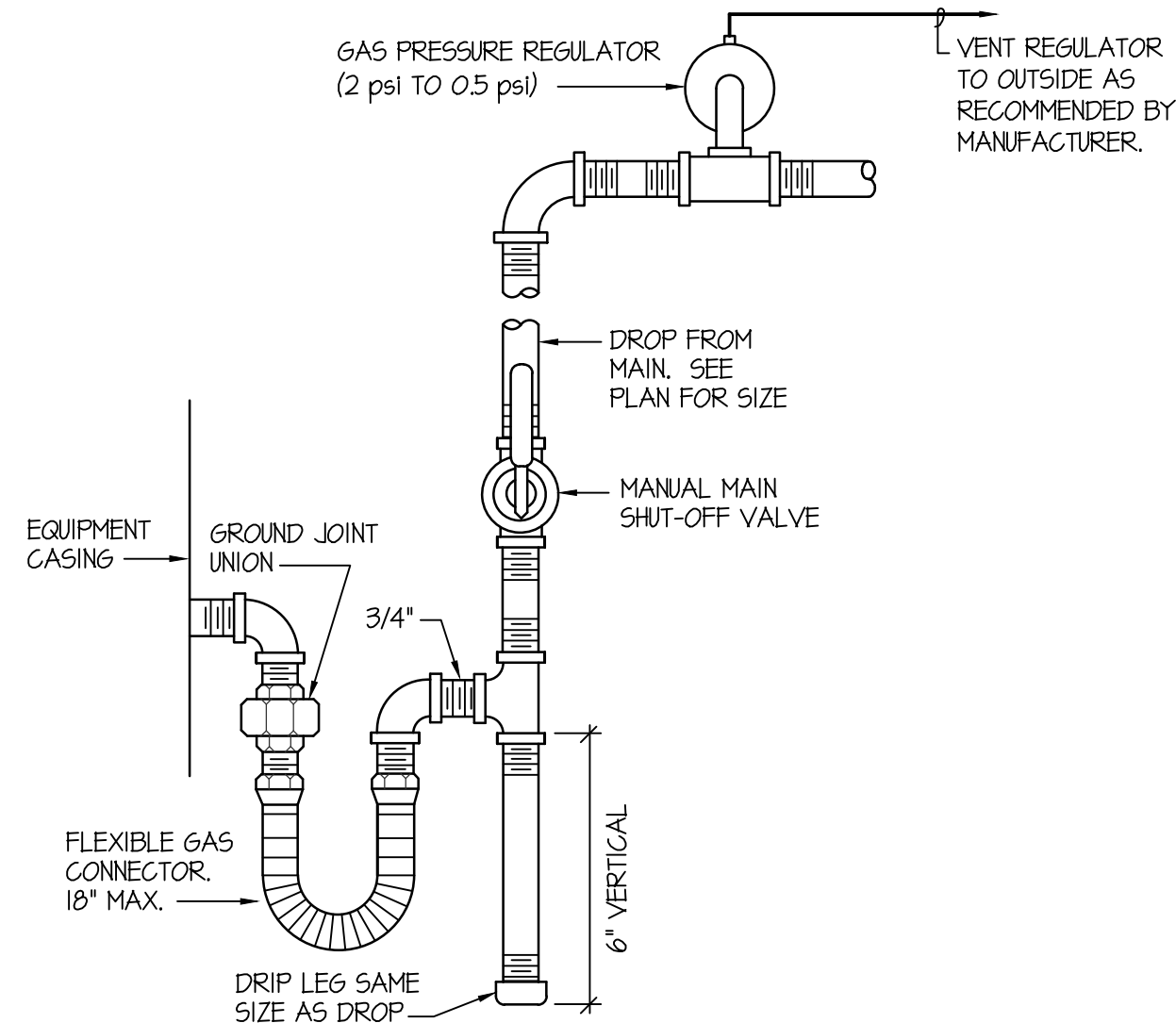
CLEAN OUT DETAILS
NO SCALE



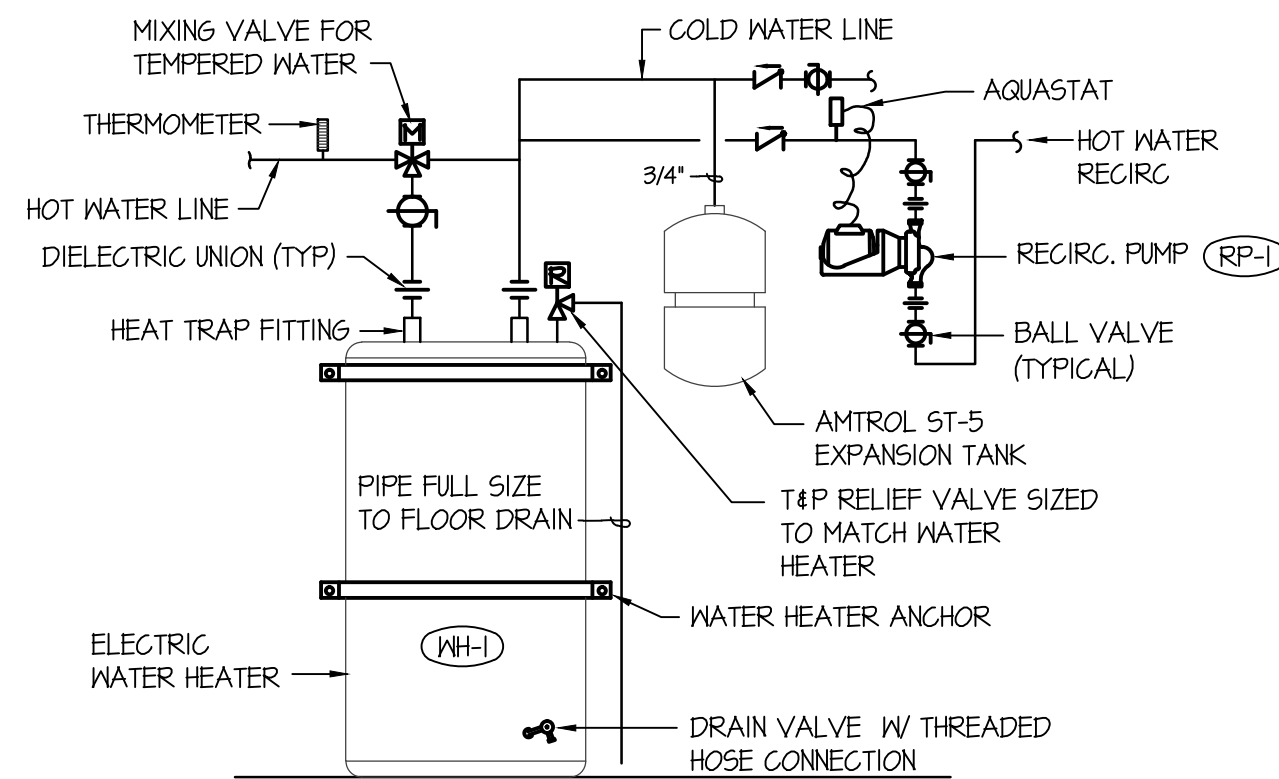
WATER PRESSURE REDUCING STATION DETAIL
NO SCALE



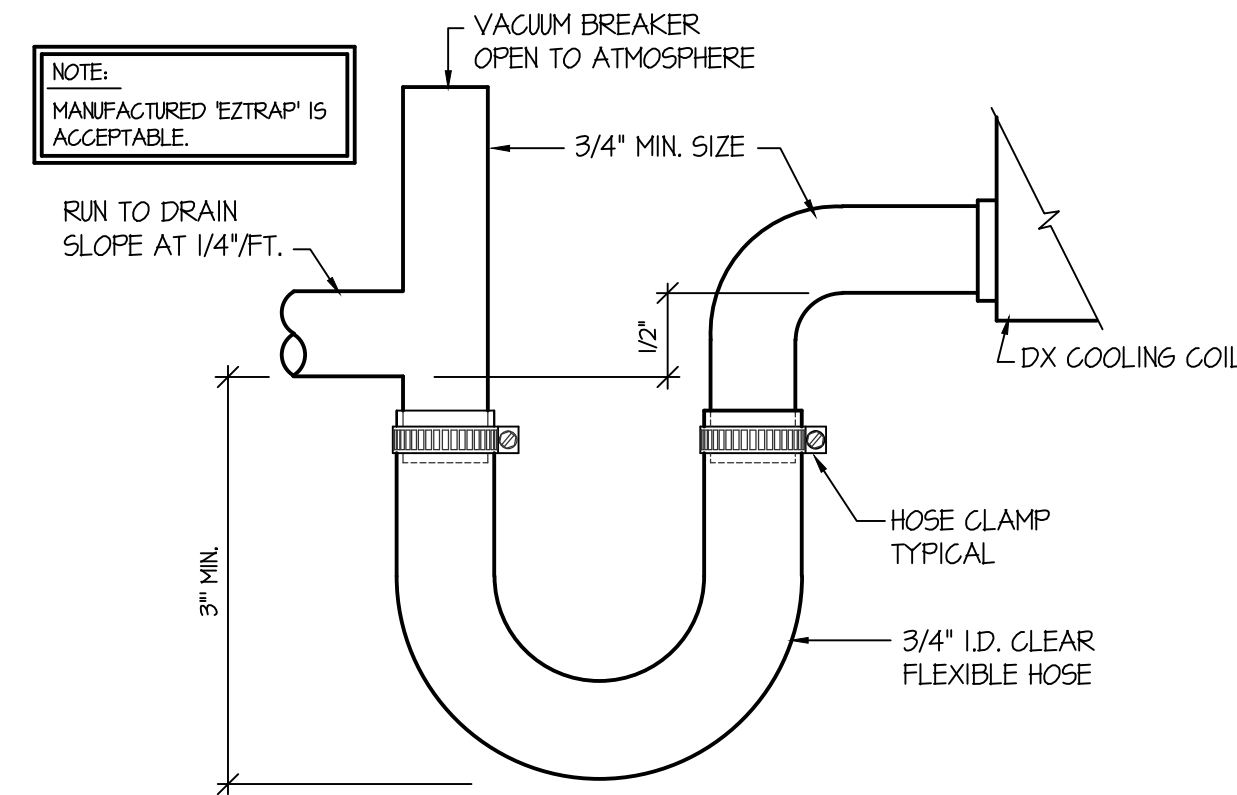
ROOF DRAIN DETAIL
NO SCALE



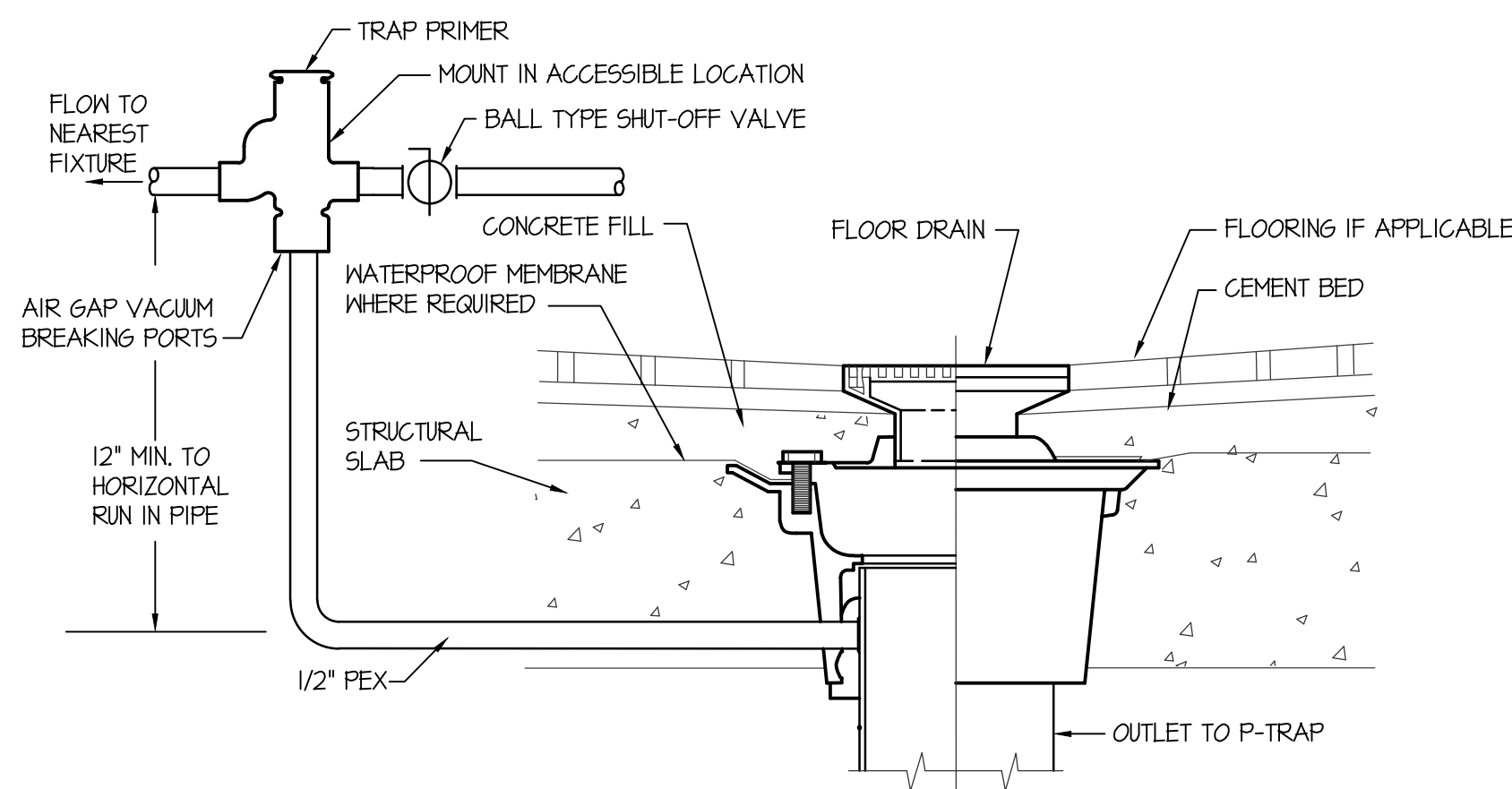
FURNACE GAS LINE CONNECTION DETAIL
NO SCALE



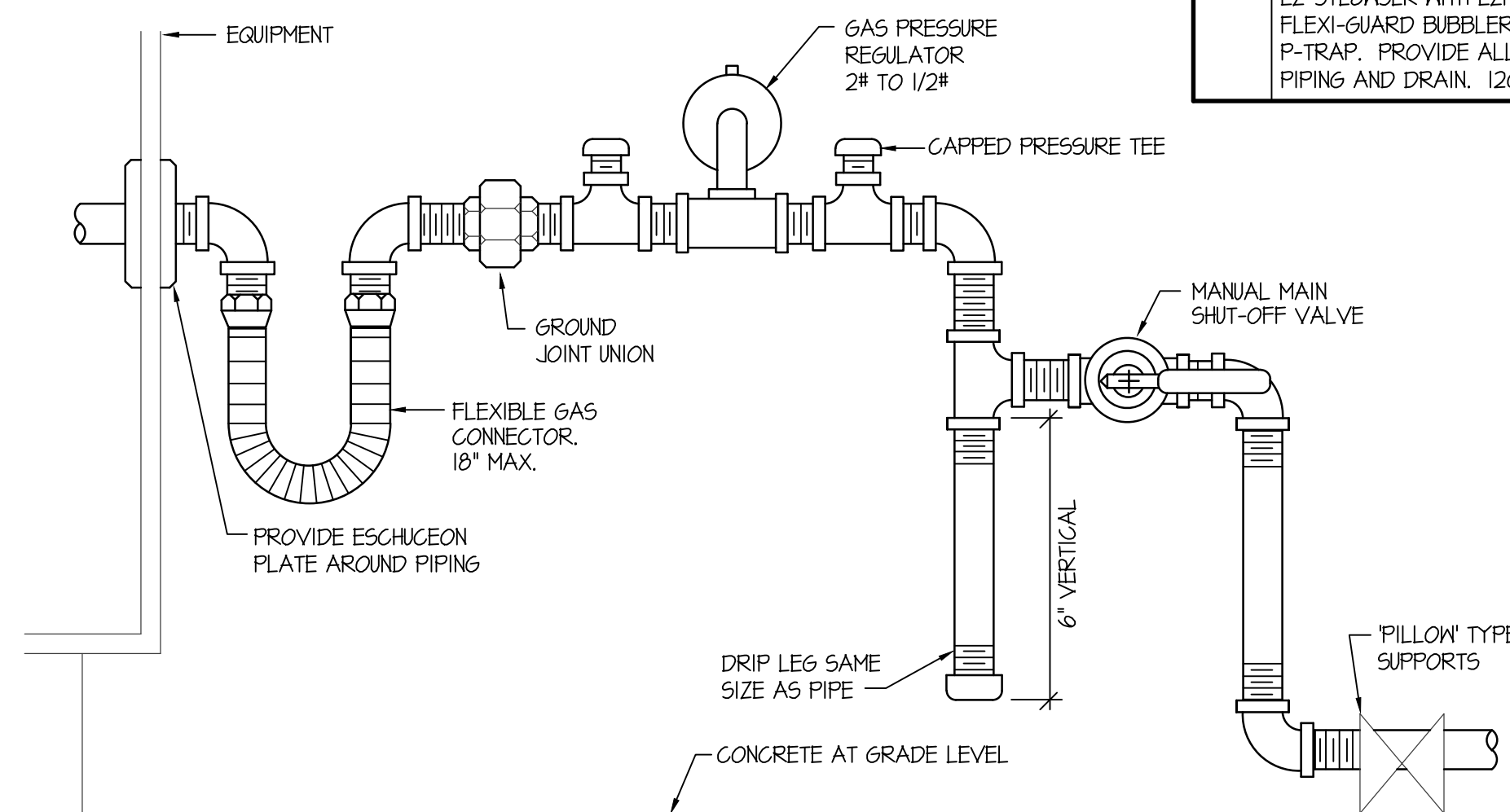
WATER HEATER WH-1 PIPING DETAIL
NO SCALE



DX COIL CONDENSATE DRAIN DETAIL
NO SCALE



TRAP PRIMER DETAIL
NO SCALE



ROOF TOP GAS PRESSURE REGULATOR DETAIL
NO SCALE

CONDENSATE PUMP SCHEDULE						
SYM.	GPH	HEAD	H.P.	CHAR.	RECEIVER SIZE	REMARKS
CP-1	25	10'	1/30	115/60/1	0.5 GALLON	LITTLE GIANT MODEL VCMX-20ULS WITH 6'-0" POWER CORD AND 3/4" DRAIN LINE

FIXTURE SCHEDULE					
SYM.	DESCRIPTION	HOT	COLD	WASTE	VENT
WC-1	ADA FLUSH VALVE WATER CLOSET - KOHLER K-4360 "HIGHCLIFF" WITH ELONGATED BOWL, K-4610C WHITE OPEN FRONT SEAT, SLOAN REGAL FLUSH VALVE AND CHINA BOLT CAPS.	---	1"	4"	2"
WC-2	FLUSH VALVE WATER CLOSET - KOHLER K-4350 "WELCOME" WITH ELONGATED BOWL, K-4610C WHITE OPEN FRONT SEAT, SLOAN REGAL FLUSH VALVE AND CHINA BOLT CAPS.	---	1"	4"	2"
U-1	ADA WALL MOUNTED URINAL - KOHLER K-4484-T "FRESHMAN" WITH WALL CARRIER & SLOAN REGAL FLUSH VALVE. MOUNT AT ADA LEVEL.	---	3/4"	2"	2"
U-2	WALL MOUNTED URINAL - KOHLER K-4484-T "FRESHMAN" W/ WALL CARRIER & SLOAN REGAL FLUSH VALVE.	---	3/4"	2"	2"
L-1	ADA WALL MOUNTED LAVATORY - KOHLER 2023 "GREENWICH" (SIZE 20"x18") WITH K-TT15 OPEN GRID STRAINER, SLOAN EBF-85 BATTERY AUTO-FAUCET, 1/2" STOPS AND 1-1/2" P-TRAP. PROVIDE INSULATING JACKET ON WATER AND WASTE PIPE. PROVIDE CONCEALED ARM CARRIER SYSTEM.	1/2"	1/2"	1-1/2"	1-1/2"
L-2	ADA COUNTERTOP LAVATORY - KOHLER MODEL K-2405-4 SELF-RIMMING "FARMINGTON" WITH SLOAN EBF-85 BATTERY AUTO-FAUCET, K-TT15 OPEN GRID STRAINER, 1/2" BALL STOPS AND 1-1/4" P-TRAP. INSULATE HOT WATER SUPPLY AND TRAP WITH JACKET.	1/2"	1/2"	1-1/2"	1-1/2"
L-3	COUNTERTOP LAVATORY - KOHLER MODEL K-2405-4 SELF-RIMMING "FARMINGTON" WITH SLOAN EBF-85 BATTERY AUTO-FAUCET, K-TT15 OPEN GRID STRAINER, 1/2" BALL STOPS AND 1-1/4" P-TRAP.	1/2"	1/2"	1-1/2"	1-1/2"
SH-1	ADA SHOWER - AQUATIC MODEL 1369BF5 36"x36"x13-1/4" SHOWER WITH FOLD UP SEAT, GRAB BARS, SHOWER CURTAIN & ROD, HANDHELD SHOWER ASSEMBLY WITH 24" SLIDE BAR, T4P BALANCING VALVE. SEE PLAN FOR RIGHT OR LEFT HAND.	1/2"	1/2"	---	---
FD-1	2" FLOOR DRAIN WITH PRIMER - ZURN Z-415B WITH 5/8" NICKEL-BRONZE STRAINER AND 2" DEEP SEAL P-TRAP WITH ZURN 1022 TRAP PRIMER.	---	---	2"	2"
FD-2	2" FLOOR DRAIN - ZURN Z-415B WITH 5/8" NICKEL-BRONZE STRAINER AND 2" DEEP SEAL P-TRAP.	---	---	2"	2"
S-1	COUNTER TOP SINK - ELKAY LR-1919, 18-GA. S.S., LK-2325B45 CONCEALED MIXING FAUCET WITH GOOSENECK GROUT AND BLADE HANDLES. LK-491 S.S. HEAVY DUTY DRAIN, 1/2" STOPS AND 1-1/2" P-TRAP.	1/2"	1/2"	1-1/2"	1-1/2"
SE-1	FLOOR MOUNTED SERVICE SINK - FIAT MODEL MSBIDT62424 W/ B30AA FAUCET ASSEMBLY, B32AA HOSE AND BRACKET AND DRAIN STRAINER WITH DEEP SEAL P-TRAP.	1/2"	1/2"	2"	2"
RP-1	CIRCULATING PUMP - GRUNDFOS MODEL UP15-10BT BRONZE PUMP WITH 3/4" FLANGES (2 GPM @ 5' OF HEAD) 120/60/1	3/4"	---	---	---
WH-1	ELECTRIC WATER HEATER - A.O. SMITH MODEL ECRT-50 50 GALLON ELECTRIC WATER HEATER WITH 4500 WATT UPPER & LOWER ELEMENTS (240/60/1), AMTROL ST-5 EXPANSION TANK, T4P VALVE. PROVIDE POWERS 3/4" LM-441-10 MIXING VALVE.	3/4"	3/4"	---	---
RD-1	ROOF DRAIN - JAY R SMITH MODEL 1010 SIZE 3" WITH UNDERDECK CLAMP AND 36" SQUARE FLASHING.	---	---	3"	---
RD-2	ROOF DRAIN - JAY R SMITH MODEL 1010 SIZE 4" WITH UNDERDECK CLAMP AND 36" SQUARE FLASHING.	---	---	4"	---
DF-1	BH-LEVEL DRINKING FOUNTAIN - ELKAY MODEL EZ-STL8WSLK WITH EZH2O BOTTLE FILLER FLEXI-GUARD BUBBLERS, 1/2" STOP AND 1-1/2" P-TRAP. PROVIDE ALL INTERCONNECTING PIPING AND DRAIN. 120/60/1 POWER	---	1/2"	1-1/2"	1-1/2"



SEAL:

REV	DATE	DESCRIPTION

New Building Addition For:
CAMPION SEVENTH-DAY ADVENTIST CHURCH
 300 42nd St. SW
 Loveland, CO 80537-7520
 MOUNTAIN WEST ARCHITECTS | 543 25th St. - COBLEN, UT 84001 | PH: 801-388-6052 | www.mountainwestarchitects.com

PROJECT:
PLUMBING DETAILS & SCHEDULES
 SHEET TITLE:
 SHEET NUMBER:
P200

DO NOT SCALE DRAWING

Engineered Systems Associates
 1355 EAST CENTER
 POCATELLO, IDAHO 83201
 PHONE: (208) 233-0501
 FAX: (208) 233-0529
 EMAIL: esa@engsystems.com
 ESA JOB NUMBER: 18039