

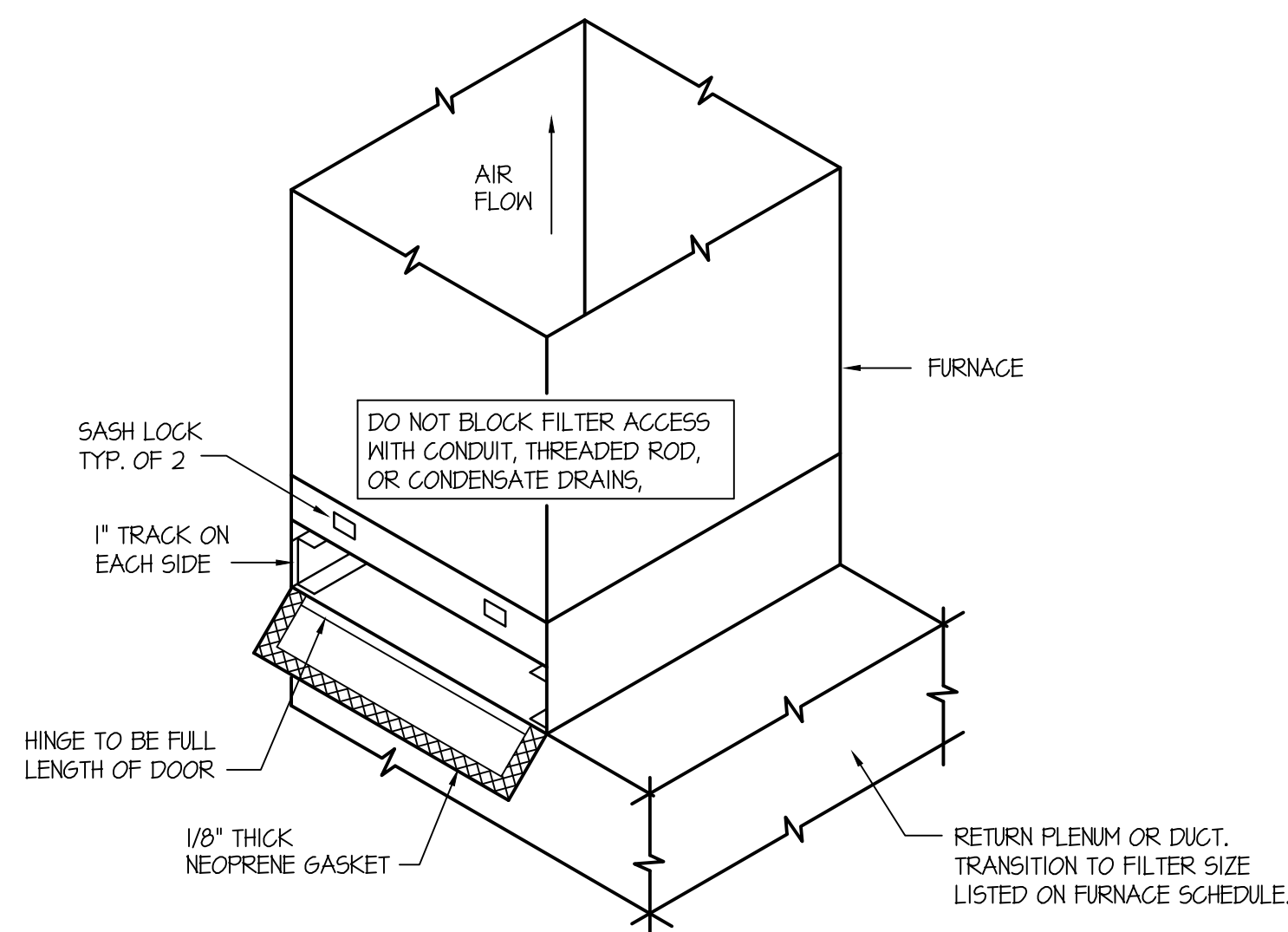
CONDENSING UNIT SCHEDULE										
SYM.	BTU	EAT	CHAR.	MCA	MFS	SEER	REFR.	PIPE SIZING		REMARKS
								LIQUID	SUCTION	
CU 1	42,000	84°F	240/60/1	25.3	30.0	13.0	R-410A	3/8"	5/8"	LENNOX MODEL 13ACX-042 WITH 0°F LOW AMBIENT HARD START KIT.
CU 2	48,000	84°F	240/60/1	28.9	50.0	13.0	R-410A	1/2"	1/8"	LENNOX MODEL 13ACX-048 WITH 0°F LOW AMBIENT HARD START KIT.
CU 3	24,000	84°F	240/60/1	18.1	30.0	13.0	R-410A	3/8"	5/8"	LENNOX MODEL 13ACX-024 WITH 0°F LOW AMBIENT HARD START KIT.
CU 4	48,000	84°F	240/60/1	28.9	50.0	13.0	R-410A	1/2"	1/8"	LENNOX MODEL 13ACX-048 WITH 0°F LOW AMBIENT HARD START KIT.
CU 5	36,000	84°F	240/60/1	21.9	30.0	13.0	R-410A	3/8"	5/8"	LENNOX MODEL 13ACX-036 WITH 0°F LOW AMBIENT HARD START KIT.
CU 6a	48,000	84°F	240/60/1	28.9	50.0	13.0	R-410A	1/2"	1/8"	LENNOX MODEL 13ACX-048 WITH 0°F LOW AMBIENT HARD START KIT.
CU 6b	48,000	84°F	240/60/1	28.9	50.0	13.0	R-410A	1/2"	1/8"	LENNOX MODEL 13ACX-048 WITH 0°F LOW AMBIENT HARD START KIT.

FURNACE AND DX COOLING COIL SCHEDULE																							
SYM.	TYPE	G.F.M.	S.P.E.	SPEED	H.P.	CHAR.	A.G.A.		E.A.T.	L.A.T.	GAS TYPE	DX COOLING COIL				PIPING SIZES				REMARKS			
							INPUT	OUTPUT				Ø ELEV.	E.A.T.	L.A.T.	MAX. P.D.	LIQUID	SUCTION	G.D.	NAT GAS		INTAKE	EXHAUST	
F 1	UPFLOW	1400	.60	MEDIUM	1/3	120/60/1	88,000	82,000	60,000	65°F	105°F	NAT	40,000	75°F	55°F	.25"	SEE G. UNIT SCHED.	SEE G. UNIT SCHED.	3/4"	3/4"	2" PVC	2" PVC	LENNOX EL195H04048C WITH FULLY CASED R-410A DX COIL TO MATCH FURNACE AND VERTICAL VENT TERMINAL ASSEMBLY.
F 2	UPFLOW	1600	.60	M-HIGH	3/4	120/60/1	110,000	103,000	74,000	65°F	105°F	NAT	48,000	75°F	55°F	.25"	SEE G. UNIT SCHED.	SEE G. UNIT SCHED.	3/4"	3/4"	2" PVC	2" PVC	LENNOX EL195H04048C WITH FULLY CASED R-410A DX COIL TO MATCH FURNACE AND VERTICAL VENT TERMINAL ASSEMBLY.
F 3	UPFLOW	800	.60	M-HIGH	1/3	120/60/1	66,000	64,000	51,200	65°F	105°F	NAT	24,000	75°F	55°F	.25"	SEE G. UNIT SCHED.	SEE G. UNIT SCHED.	3/4"	3/4"	2" PVC	2" PVC	LENNOX EL195H04036B WITH FULLY CASED R-410A DX COIL TO MATCH FURNACE AND VERTICAL VENT TERMINAL ASSEMBLY.
F 4	UPFLOW	1600	.60	M-HIGH	3/4	120/60/1	110,000	103,000	74,000	65°F	105°F	NAT	48,000	75°F	55°F	.25"	SEE G. UNIT SCHED.	SEE G. UNIT SCHED.	3/4"	3/4"	2" PVC	2" PVC	LENNOX EL195H04048C WITH FULLY CASED R-410A DX COIL TO MATCH FURNACE AND VERTICAL VENT TERMINAL ASSEMBLY.
F 5	UPFLOW	1200	.60	M-HIGH	1/3	120/60/1	88,000	82,000	60,000	65°F	105°F	NAT	36,000	75°F	55°F	.25"	SEE G. UNIT SCHED.	SEE G. UNIT SCHED.	3/4"	3/4"	2" PVC	2" PVC	LENNOX EL195H04036B WITH FULLY CASED R-410A DX COIL TO MATCH FURNACE AND VERTICAL VENT TERMINAL ASSEMBLY.
F 6a	UPFLOW	1600	.60	M-HIGH	3/4	120/60/1	110,000	103,000	74,000	65°F	105°F	NAT	48,000	75°F	55°F	.25"	SEE G. UNIT SCHED.	SEE G. UNIT SCHED.	3/4"	3/4"	2" PVC	2" PVC	LENNOX EL195H04048C WITH FULLY CASED R-410A DX COIL TO MATCH FURNACE AND VERTICAL VENT TERMINAL ASSEMBLY AND THINNING KIT.
F 6b	UPFLOW	1600	.60	M-HIGH	3/4	120/60/1	110,000	103,000	74,000	65°F	105°F	NAT	48,000	75°F	55°F	.25"	SEE G. UNIT SCHED.	SEE G. UNIT SCHED.	3/4"	3/4"	2" PVC	2" PVC	LENNOX EL195H04048C WITH FULLY CASED R-410A DX COIL TO MATCH FURNACE AND VERTICAL VENT TERMINAL ASSEMBLY AND THINNING KIT.

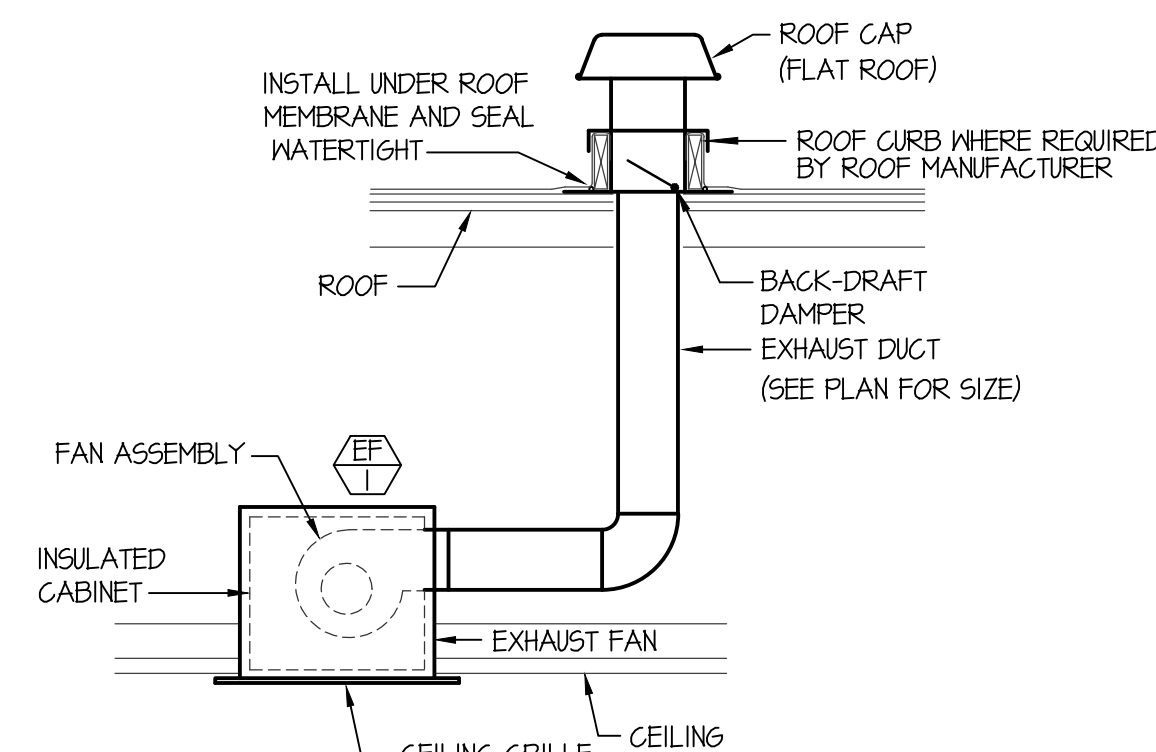
EXHAUST FAN SCHEDULE								
SYM.	TYPE	G.F.M.	S.P.E.	WATTS	CHAR.	R.P.M.	CONTROL	REMARKS
EF 1	CEILING MOUNTED	100	.40	100	120/60/1	750	OCC. SENSOR SEE ELECT.	BROAN LOSONE SELECT MODEL L100 WITH BACKDRAFT DAMPER. 6" DUCT TO ROOF CAP WITH CURB
EF 2	CEILING MOUNTED	225	.40	166	120/60/1	750	OCC. SENSOR SEE ELECT.	BROAN LOSONE SELECT MODEL L250 WITH BACKDRAFT DAMPER. 8" DUCT TO SLOPED ROOF CAP
EF 3	CEILING MOUNTED	100	.40	100	120/60/1	750	OCC. SENSOR SEE ELECT.	BROAN LOSONE SELECT MODEL L100 WITH BACKDRAFT DAMPER. 6" DUCT TO SLOPED ROOF CAP
EF 4	CEILING MOUNTED	100	.40	100	120/60/1	750	OCC. SENSOR SEE ELECT.	BROAN LOSONE SELECT MODEL L100 WITH BACKDRAFT DAMPER. 6" DUCT TO SLOPED ROOF CAP
EF 5	CEILING MOUNTED	100	.40	100	120/60/1	750	WALL SWITCH SEE ELECT.	BROAN LOSONE SELECT MODEL L100 WITH BACKDRAFT DAMPER. 6" DUCT TO SLOPED ROOF CAP
EF 6	CEILING MOUNTED	225	.40	166	120/60/1	750	OCC. SENSOR SEE ELECT.	BROAN LOSONE SELECT MODEL L250 WITH BACKDRAFT DAMPER. 8" DUCT TO SLOPED ROOF CAP
EF 7	CEILING MOUNTED	100	.40	100	120/60/1	750	OCC. SENSOR SEE ELECT.	BROAN LOSONE SELECT MODEL L100 WITH BACKDRAFT DAMPER. 6" DUCT TO SLOPED ROOF CAP

ELECTRIC HEATER SCHEDULE						
SYM.	TYPE	BTU	KW	CHAR.	CONTROL	REMARKS
EH 1	WALL MOUNTED	6842	2.0	240/60/1	INTEGRAL T-STAT	QMARK TYPE AWH-4208 RECESSED MOUNT HEATER

GRILLE AND REGISTER SCHEDULE									
SYM.	TYPE	SIZE	CFM RANGE	THROW PATTERN	CONSTR.	FINISH	BALANCING DAMPER	FIRE DAMPER	REMARKS
D-1 CFM	CEILING	6x6	50-100	⬇	STEEL	WHITE	NA	NA	PRICE MODEL SMD WITH BEVELED FRAME
D-2 CFM	CEILING	4x4	110-280	⬇	STEEL	WHITE	NA	NA	PRICE MODEL SMD WITH BEVELED FRAME
D-3 CFM	CEILING	4x4	110-280	⬇	STEEL	WHITE	NA	NA	PRICE MODEL SMD WITH BEVELED FRAME
D-4 CFM	CEILING	4x4	110-280	⬇	STEEL	WHITE	NA	NA	PRICE MODEL SMD IN 24x24 LAY-IN MODULE
D-5 CFM	CEILING	4x4	110-280	⬇	STEEL	WHITE	NA	NA	PRICE MODEL SMD IN 24x24 LAY-IN MODULE
D-6 CFM	CEILING	4x4	110-280	⬇	STEEL	WHITE	NA	NA	PRICE MODEL SMD IN 24x24 LAY-IN MODULE
GR-1 CFM	SIDEWALL	24x6	250-350	NA	STEEL	WHITE	NA	NA	PRICE MODEL 520 D WITH FLANGE FRAME
R-1	CEILING	12x12	100-450	NA	STEEL	WHITE	NA	NA	PRICE MODEL 535 IN 24x24 LAY-IN MODULE
R-2	CEILING	16x16	450-700	NA	STEEL	WHITE	NA	NA	PRICE MODEL 535 IN 24x24 LAY-IN MODULE
R-3	CEILING	20x20	710-1000	NA	STEEL	WHITE	NA	NA	PRICE MODEL 535 IN 24x24 LAY-IN MODULE
R-4	CEILING	12x12	100-450	NA	STEEL	WHITE	NA	NA	PRICE MODEL 535
R-5	SIDEWALL	32x32	3,000	NA	STEEL	WHITE	NA	NA	PRICE MODEL 96L WITH 2" WIDE FRAME
RC-1	ROOF INTAKE	12" THROAT	100-200	NA	ALUM.	ALUM.	NA	NA	PENN MODEL DR12 WITH FACTORY ROOF CURB
OL-1	OUTSIDE AIR LOUVER	12x24	300	NA	ALUM.	MATCH BLDG. EXTERIOR	NA	NA	AMERICAN WARMING LE-31 WITH INSECT SCREEN



EXTERNAL FILTER SECTION DETAIL
NO SCALE UP-FLOW CONFIGURATION



CEILING MOUNTED EXHAUST FAN DETAIL
NO SCALE



SEAL:

DESCRIPTION

REV

DATE

DESCRIPTION

REV

DATE

DESCRIPTION

REV

DATE

DESCRIPTION

REV

DATE

DESCRIPTION

REV

DATE

DESCRIPTION

REV

DATE

DESCRIPTION

REV

DATE

DESCRIPTION

REV

DATE

DESCRIPTION

REV

DATE

DESCRIPTION

REV

DATE

DESCRIPTION

REV

DATE

DESCRIPTION

New Building Addition For:
CAMPION SEVENTH-DAY ADVENTIST CHURCH

300 42nd St. SW
Loveland, CO 80537-7520

MOUNTAIN WEST ARCHITECTS | 543 25th St. - COBLEN, UT 84401 | PH: 801-388-6052 | www.mountainwestarchitects.com

SHEET TITLE:
MECHANICAL SCHEDULES

SHEET NUMBER:

M201

DO NOT SCALE DRAWING

Engineered Systems Associates

 1355 EAST CENTER

 POCATELLO, IDAHO 83201

 PHONE: (208) 233-0501

 FAX: (208) 233-0529

 EMAIL: eso@engsystems.com

 ESA JOB NUMBER: 18039