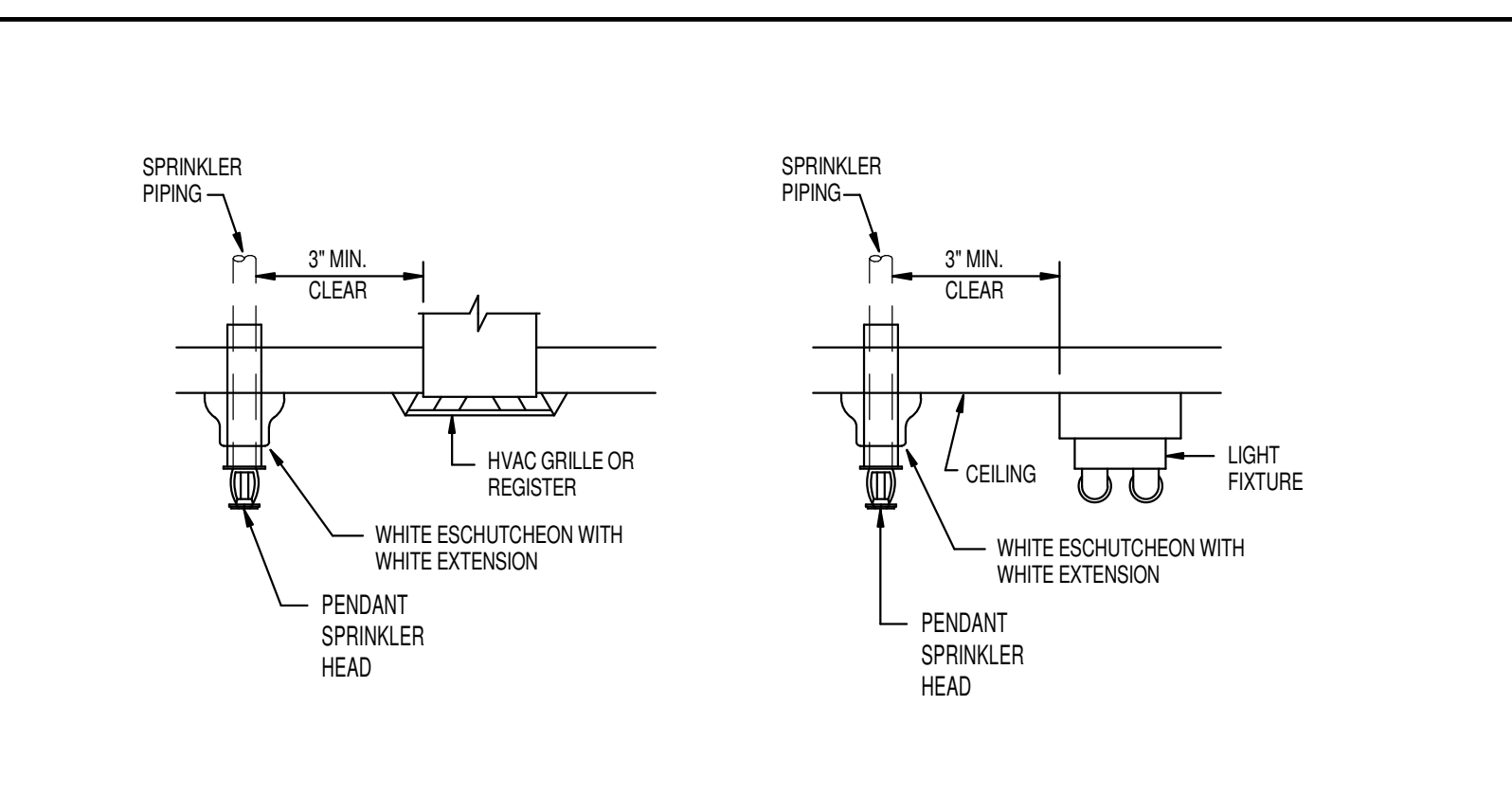
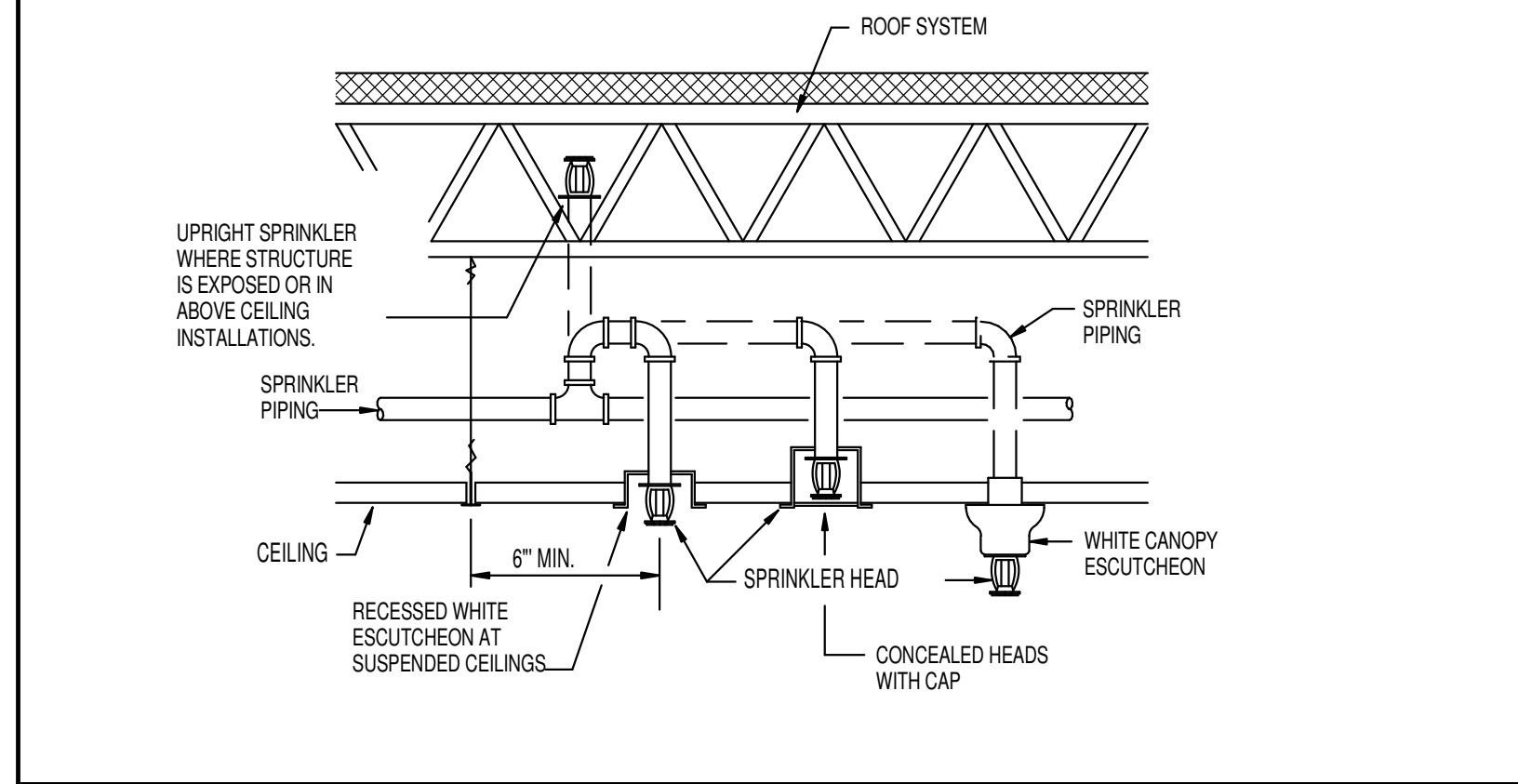


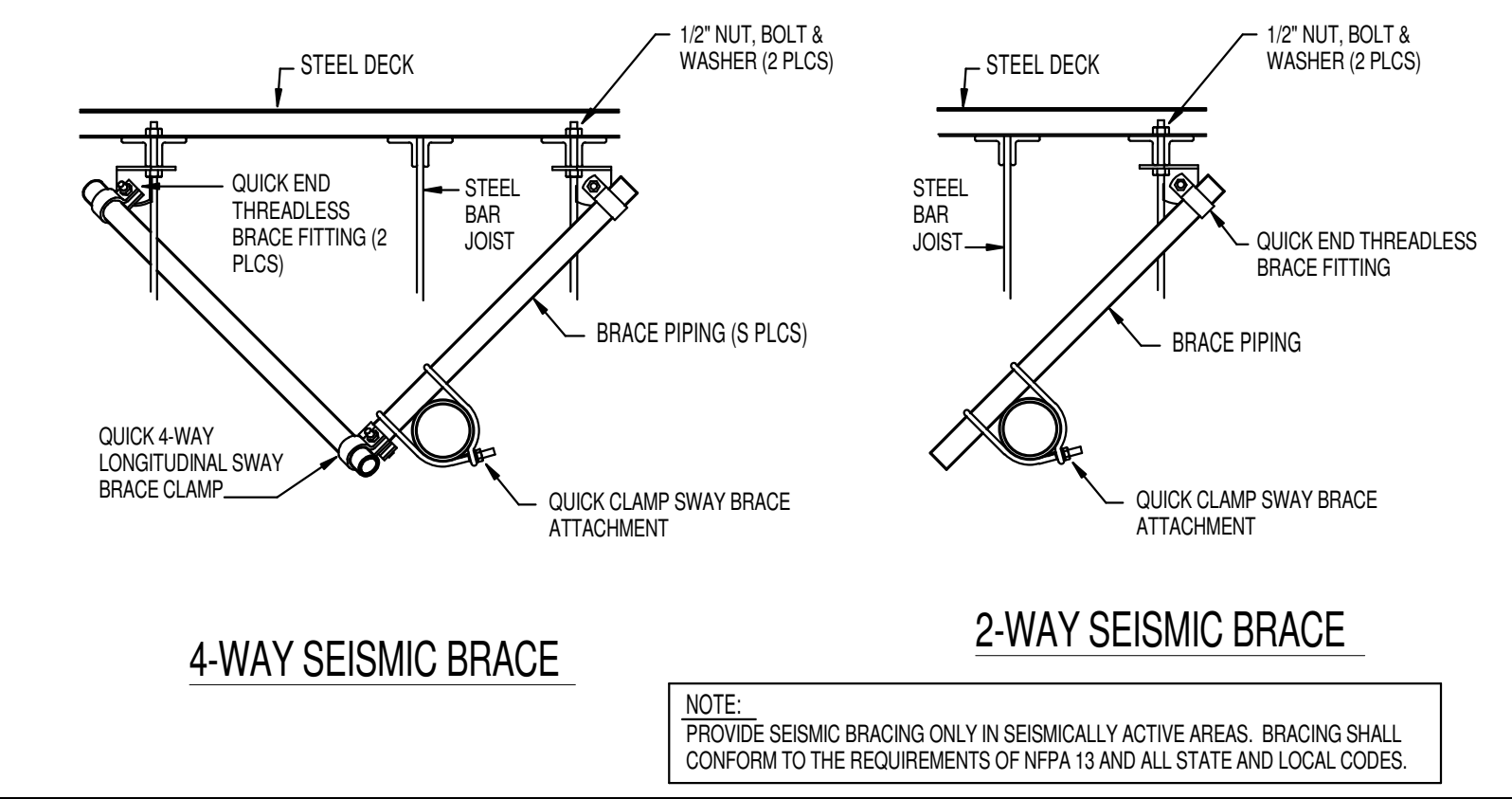
**A HANGER DETAIL** NO SCALE



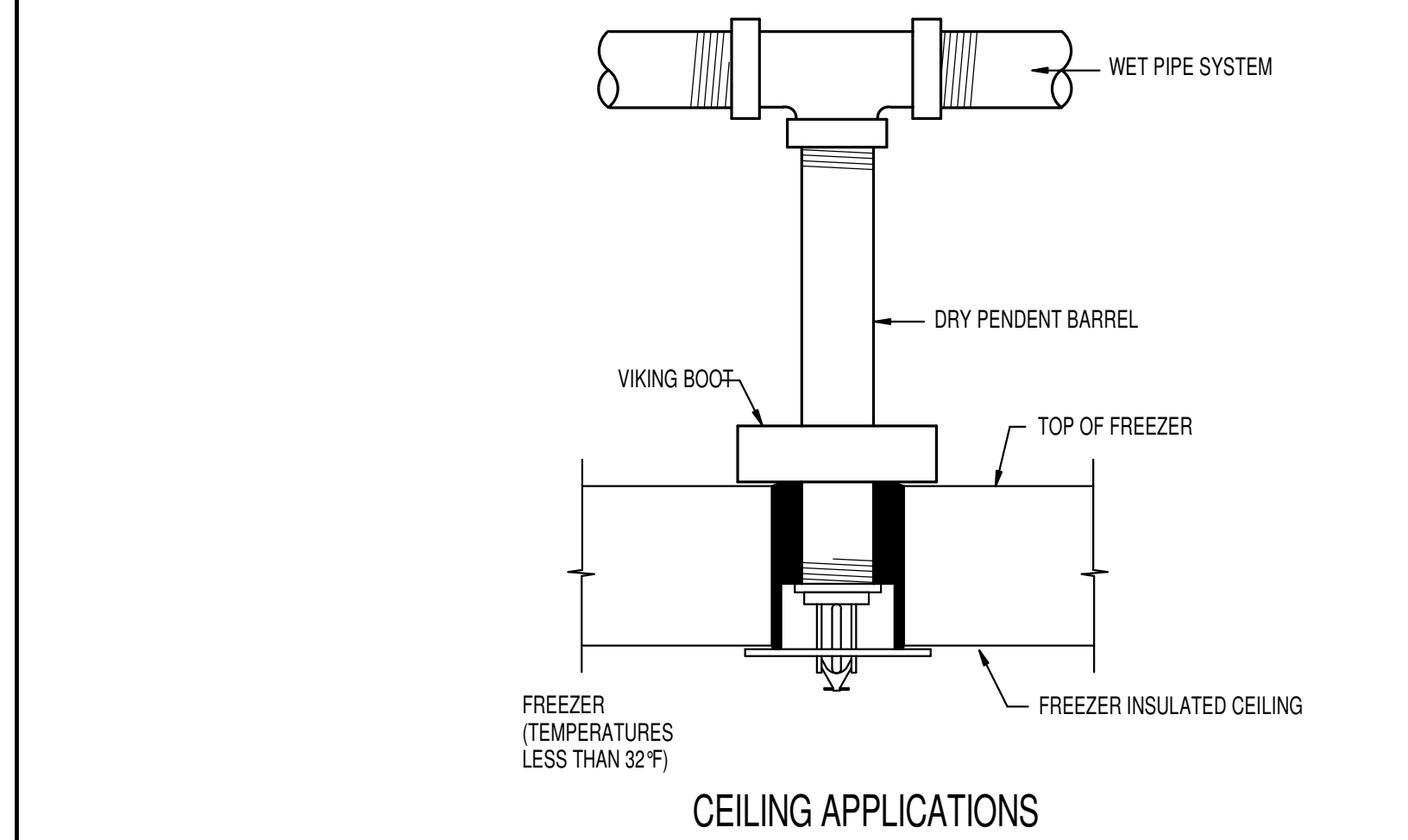
**B SPRINKLER HEAD COORDINATION** NO SCALE



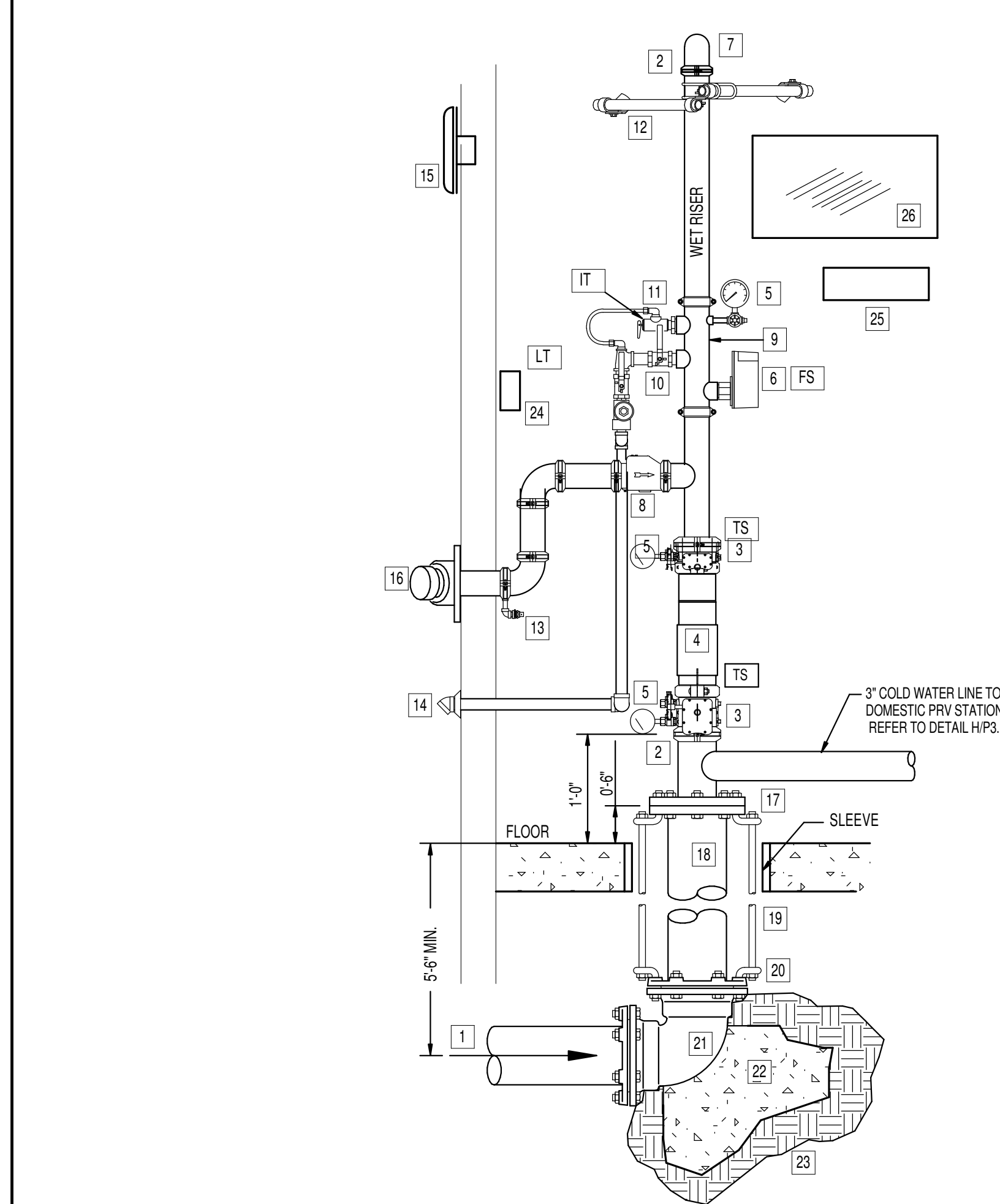
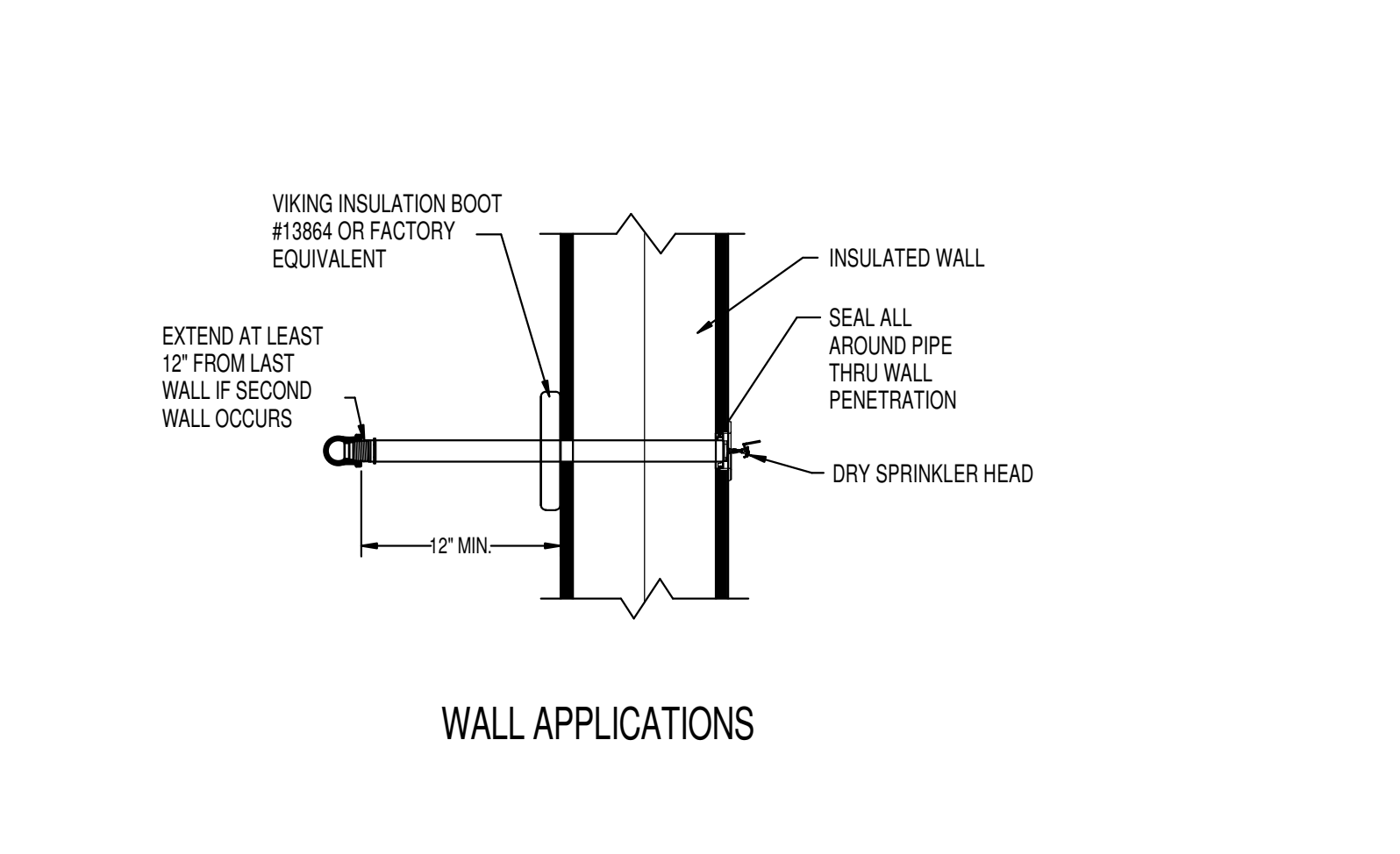
**C SPRINKLER HEAD COORDINATION** NO SCALE



**D SPRINKLER PIPE BRACING DETAILS** NO SCALE



**E DRY PENDANT HEAD DETAILS** NO SCALE



**F FIRE RISER AND ALARM VALVE DETAIL** NO SCALE

- WET RISER DETAIL NOTES**
- 1 WATER SUPPLY FROM CITY WATER MAIN. USE CLASS 53 DUCTILE IRON WHEN CROSSING UNDER BLDG FOUNDATION.
  - 2 USE FLEXIBLE GROOVED PIPE COUPLING ONLY IF SEISMIC BRACING IS REQUIRED. SEE NOTE #12.
  - 3 GROOVED BUTTERFLY VALVE WITH INTEGRAL SUPERVISORY SWITCH.
  - 4 DOUBLE CHECK BACKFLOW PREVENTER WITH RELATED TRIM AND GAUGES.
  - 5 3-1/2" DIAMETER WATER GAUGE WITH 1/4" TEST AND ISOLATION VALVE.
  - 6 VANE TYPE WATER FLOW SWITCH.
  - 7 SUPPLY TO WET PIPE FIRE SPRINKLER SYSTEM.
  - 8 SWING CHECK VALVE.
  - 9 RISER MANIFOLD - INCLUDES PRESSURE GAUGE, FLOW SWITCH, PRESSURE RELIEF VALVE, AND TEST AND MAIN DRAIN DEVICE.
  - 10 INSPECTOR'S TEST & MAIN DRAIN DEVICE [TS] - PIPE TO OUTSIDE.
  - 11 PRESSURE RELIEF VALVE SHALL BE REQUIRED SET AT 175 PSI - PIPED TO DISCHARGE OUTSIDE.
  - 12 SEISMIC BRACING REQUIRED IN SEISMIC DESIGN CATEGORY C, D, E, F.
  - 13 1/2" AUTOMATIC BALL DRIP VALVE.
  - 14 PIPE TO DRAIN OUTSIDE.
  - 15 WEATHERPROOF ELECTRIC BELL OR HORN AND STROBE (OUTSIDE).
  - 16 OUT TO FIRE DEPARTMENT CONNECTION WITH GALVANIZED SCH 40 PIPING - PROVIDE BALL DRIP WHEN TRAPPING PIPE. SIZE CONNECTION AS REQUIRED. NOTE: PIPE FDC TO REMOTE LOCATION ON STAKE BUILDINGS AND WHEN REQUIRED BY FIRE MARSHAL.
  - 17 GALVANIZED FLANGE AND SPOOL PIECE.
  - 18 CLASS 53 D.I. FLANGED SPIGOT.
  - 19 3/4" A.T.R.
  - 20 3/4" BENT EYE BOLT.
  - 21 MECHANICAL JOINT 90° ELL.
  - 22 CONCRETE THRUST BLOCK WITH 5 SQ. FEET BEARING AREA.
  - 23 UNDISTURBED EARTH.
  - 24 LOW TEMPERATURE SENSOR - MOUNTED ON WALL - THIS SWITCH IS PROVIDED UNDER DIVISION 28 OF THE SPECIFICATIONS.
  - 25 SPARE HEAD CABINET WITH SPARE SPRINKLER HEADS AND WRENCHES.
  - 26 LAMINATED SYSTEM MAP WITH SYSTEM START-UP AND SHUT-DOWN INSTRUCTIONS.

FIXTURE SCHEDULE					
SYM.	DESCRIPTION	HOT	COLD	WASTE	VENT
(CS-1)	CLASSROOM SINK - ELKAY MODEL PSDKAD517C 'CELEBRITY' STAINLESS STEEL SINK WITH LK12085A3LC HI-ARC FAUCET, LK35 DRAIN, LK1141A BUBBLER, 1/2" CW STOP, AND 1-1/2" P-TRAP.		12"	1-1/2"	1-1/2"
(DF-1)	SINGLE DRINKING FOUNTAIN - ELKAY MODEL LZ2SWSL AND EZ240 BOTTLE FILLER COMPLETE WITH HANDS FREE FILL VALVE, 1/2" STOP, 1-1/2" P-TRAP AND FLEX-GUARD SAFETY BUBBLER VALVE. (12080/1)		12"	1-1/2"	1-1/2"
(DF-2)	BILEVEL DRINKING FOUNTAIN - ELKAY MODEL LZ2LWSLK WITH BOTTLE FILLER STATION AND FILTER, FRONT BAR OPERATORS, 1/2" STOP, 1-1/2" P-TRAP, AND FLEX-GUARD SAFETY BUBBLER.		12"	1-1/2"	1-1/2"
(EW-1)	EMERGENCY EYEWASH STATION - HANS 7260BT WITH PUSH-OPEN BALL VALVE, EYEWASH BOWL, 1/2" SUPPLY LINE AND 1-1/2" WASTE LINE WITH P-TRAP.		12"		
(FD-1)	2' FLOOR DRAIN - ZURN Z-400-S5 WITH 5-1/2" NICKEL-BRONZE, SQUARE STRAINER AND 2" DEEP SEAL P-TRAP. RUN 1/2" COLD WATER LINE TO TRAP PRIMER.		12"	2"	2"
(FS-1)	FLOOR SINK - ZURN Z-1900-2 WITH HALF GRATE, DOME STRAINER, WHITE ENAMEL FINISH AND 4" DEEP SEAL P-TRAP. RUN 1/2" COLD WATER LINE TO TRAP PRIMER.		12"	4"	2"
(GT-1)	RECESSED GREASE TRAP - ZURN Z-1172 WITH 4" WASTE LINE CONNECTIONS, 150 GPM FLOW RATE AND 300 LBS GREASE CAPACITY. PROVIDE EXTENSIONS AS REQUIRED TO MOUNT TRAP FLUSH WITH FLOOR.			4"	3"
(HB-1)	EXTERIOR HOSE BIBB - ZURN Z-1310 'ECOLOPOOL' WITH REMOVABLE HANDLE AND VACUUM BREAKER, LENGTH TO SUIT WALL THICKNESS.		3/4"		
(HB-2)	INTERIOR HOSE BIBB - PRIER MODEL C255NP 50 WITH ANTI-SIPHON ANKLED BALL FAUCET WITH HOSE THREADED VACUUM BREAKER AND LOOSE KEY HANDLE.		12"		
(JS-1)	FLOOR MOUNTED SERVICE SINK - KOHLER K6710 'WHITBY' WITH K-8840 WIRE RIM GUARD, K942 PERFORATED STRAINER AND 2" DEEP SEAL P-TRAP. MOUNT 6898-CP FAUCET ON WALL COMPLETE WITH VACUUM BREAKER, WALL BRACE AND PALM HOOK. PROVIDE 5'-0" RUBBER HOSE AND WALL HOOK.	12"	12"	2"	2"
(K-5)	TILTING SKILLET - BY KITCHEN EQUIPMENT CONTRACTOR. PLUMBING CONTRACTOR TO ROUGH-IN AND CONNECT 1/2" HOT AND COLD WATER LINES WITH SHUT-OFF VALVE, 3/4" GAS LINE WITH SHUT-OFF VALVE AND FLEXIBLE HOSE (200,000 BTU). REFER TO DETAIL SP3.1		12"	12"	TO FS-1
(K-6)	FLOOR TROUGH - BY KITCHEN EQUIPMENT CONTRACTOR. PLUMBING CONTRACTOR TO ROUGH-IN AND CONNECT 4" DRAIN LINE WITH DEEP SEAL P-TRAP AND 2" VENT.			4"	2"
(K-7)	GAS RANGE - BY KITCHEN EQUIPMENT CONTRACTOR. PLUMBING CONTRACTOR TO ROUGH-IN AND CONNECT 3/4" GAS LINE WITH SHUT-OFF VALVE AND FLEXIBLE HOSE. REFER TO DETAIL SP3.1 FOR TYPICAL KITCHEN EQUIPMENT GAS LINE CONNECTION. (115,000 BTU)				
(K-8)	DOUBLE CONNECTION OVEN - BY KITCHEN EQUIPMENT CONTRACTOR. PLUMBING CONTRACTOR TO ROUGH-IN AND CONNECT 3/4" GAS LINE WITH SHUT-OFF VALVE AND FLEXIBLE HOSE. REFER TO DETAIL SP3.1 FOR TYPICAL GAS LINE CONNECTION. (111,000 BTU)		12"		
(K-12)	WORKTABLE WITH SINK, SINK FAUCET, AND SPRAY FAUCET - BY KITCHEN EQUIPMENT CONTRACTOR. PLUMBING CONTRACTOR TO ROUGH-IN AND CONNECT (2) 1/2" HOT AND COLD WATER LINES WITH SHUT-OFFS. RUN 1-1/2" WASTE LINE TO FLOOR SINK.	(2) 12"	(2) 12"		TO FS-1
(K-15)	HAND SINK AND ELECTRONIC FAUCET - BY KITCHEN EQUIPMENT CONTRACTOR. PLUMBING CONTRACTOR TO ROUGH-IN AND CONNECT 1/2" HOT AND COLD WATER LINES WITH SHUT-OFFS, AND 1-1/2" WASTE LINE WITH P-TRAP.	12"	12"	1-1/2"	1-1/2"
(K-21)	EVAPORATION UNIT - BY KITCHEN EQUIPMENT CONTRACTOR. PLUMBING CONTRACTOR TO RUN 3/4" DRAIN LINE FROM EACH UNIT TO FLOOR SINK AS SHOWN. PROTECT PIPING INSIDE FREEZER AND COOLER UNITS WITH HEAT TAPE. (REFER TO ELECTRICAL DRAWINGS.)			3/4" TO FS-1	
(K-25)	HAND SINK AND ELECTRONIC FAUCET - BY KITCHEN EQUIPMENT CONTRACTOR. PLUMBING CONTRACTOR TO ROUGH-IN AND CONNECT 1/2" HOT AND COLD WATER LINES WITH SHUT-OFFS, AND 1-1/2" WASTE LINE WITH P-TRAP.	12"	12"	1-1/2"	1-1/2"
(K-26)	1-BOWL EN SINK & FAUCET - BY KITCHEN EQUIPMENT CONTRACTOR. PLUMBING CONTRACTOR TO ROUGH-IN AND CONNECT 1/2" HOT AND COLD WATER LINES WITH SHUT-OFFS. RUN 1-1/2" WASTE LINE TO FLOOR SINK.	12"	12"	1-1/2"	TO FS-1
(K-28)	MOP SINK & FAUCET - BY KITCHEN EQUIPMENT CONTRACTOR. PLUMBING CONTRACTOR TO ROUGH-IN AND CONNECT 1/2" HOT AND COLD WATER LINES WITH SHUT-OFFS, AND 2" WASTE LINE WITH DEEP SEAL P-TRAP.	12"	12"	2"	2"
(K-91)	SINGLE SERVE FAUCET - BY KITCHEN EQUIPMENT CONTRACTOR. PLUMBING CONTRACTOR TO ROUGH-IN AND CONNECT 1/2" COLD WATER LINE.		12"		
(K-35)	ICE MAKER AND STORAGE BIN - BY KITCHEN EQUIPMENT CONTRACTOR. PLUMBING CONTRACTOR TO ROUGH-IN AND CONNECT 1/2" COLD WATER LINE. RUN 1/2" DRAIN LINE FROM EACH PIECE OF EQUIPMENT TO FLOOR SINK.		12"	1/2" TO FS-1	
(K-38)	HAND SINK & FAUCET - BY KITCHEN EQUIPMENT CONTRACTOR. PLUMBING CONTRACTOR TO ROUGH-IN AND CONNECT 1/2" HOT AND COLD WATER LINES WITH SHUT-OFFS, AND 1-1/2" WASTE LINE WITH P-TRAP.	12"	12"	1-1/2"	1-1/2"
(K-42)	SOLID DISH TABLE AND SINK - BY KITCHEN EQUIPMENT CONTRACTOR. PLUMBING CONTRACTOR TO RUN 1-1/2" DRAIN LINES FROM EACH PIECE OF EQUIPMENT TO FLOOR SINK.			(2) 1-1/2"	TO FS-1
(K-43)	BACK SPLASH FAUCET & PRE-RINSE NOZZLE - BY KITCHEN EQUIPMENT CONTRACTOR. PLUMBING CONTRACTOR TO RUN 1/2" HOT AND COLD WATER LINE TO EACH FAUCET	(2) 1/2"	(2) 1/2"		
(K-44)	DISHWASHER - BY KITCHEN EQUIPMENT CONTRACTOR. PLUMBING CONTRACTOR TO RUN 1/2" HOT WATER LINE TO WALL MOUNTED FILTER BEFORE CONNECTING TO DISHWASHER.	12"		2" TO FS-1	

FIXTURE SCHEDULE					
SYM.	DESCRIPTION	HOT	COLD	WASTE	VENT
(K-4B-1)	PRE-RINSE SPRAY NOZZLE - BY KITCHEN EQUIPMENT CONTRACTOR. PLUMBING CONTRACTOR TO RUN 1/2" HOT AND COLD WATER LINES	12"	12"		
(K-4B)	DISPOSER - BY KITCHEN EQUIPMENT CONTRACTOR. PLUMBING CONTRACTOR TO RUN 1/2" HOT AND COLD WATER LINES AND 2" WASTE LINE WITH P-TRAP.	12"	12"	2"	2"
(K-52)	GOLD SERVING COUNTER - BY KITCHEN EQUIPMENT CONTRACTOR. PLUMBING CONTRACTOR TO RUN 1/2" DRAIN LINE TO FLOOR SINK.			1/2" TO FS-1	
(K-56)	HOT SERVING COUNTER - BY KITCHEN EQUIPMENT CONTRACTOR. PLUMBING CONTRACTOR TO RUN 1/2" DRAIN LINE TO FLOOR SINK.			1/2" TO FS-1	
(L-1)	WALL MOUNTED LAVATORY - KOHLER K-2032-N (SIZE 20x16) 'GREENWICH' WITH K-7715 OPEN GRID STRAINER, SLOAN ESF-65 INFRARED FAUCET (BATHTERY), 1/2" STOPS, 1-1/2" P-TRAP AND WALL CARRIER. PROVIDE INSULATING JACKET ON WASTE AND HOT WATER LINES.	12"	12"	1-1/2"	1-1/2"
(OD-1)	OVERFLOW DRAIN - JAY R. SMITH MODEL 1080 WITH RECEIVER, 2" HIGH WATER DAM, UNDERDECK CLAMP, GRAVEL STOP, DOME STRAINER AND 4" DRAIN LINE CONNECTION.			3"	
(OD-2)	OVERFLOW DRAIN - JAY R. SMITH MODEL 1080 WITH RECEIVER, 2" HIGH WATER DAM, UNDERDECK CLAMP, GRAVEL STOP, DOME STRAINER AND 4" DRAIN LINE CONNECTION.			4"	
(RD-1)	ROOF DRAIN - JAY R. SMITH MODEL 1010 WITH RECEIVER, UNDERDECK CLAMP, GRAVEL STOP, DOME STRAINER AND 3" DRAIN LINE CONNECTION			3"	
(RD-2)	ROOF DRAIN - JAY R. SMITH MODEL 1010 WITH RECEIVER, UNDERDECK CLAMP, GRAVEL STOP, DOME STRAINER AND 4" DRAIN LINE CONNECTION			4"	
(RP-1)	HOT WATER RECIRC. PUMP - B&G SERIES LR-208P 'LITTLE RED' WITH 4 GPM FLOW AT 6' HEAD AND 3/4" LINE CONNECTIONS. MOUNT NEAR WATER HEATER. REFER TO DETAIL RP3.1 FOR TYPICAL PIPE CONNECTIONS TO WATER HEATER.	3/4"			
(S-1)	SINGLE COMPARTMENT SINK - ELKAY MODEL LR-1918 WITH LK04283HC GOOSENECK FAUCET, LK-35 DUO-STRAINER, 1/2" STOPS, AND 1-1/2" P-TRAP.	12"	12"	1-1/2"	1-1/2"
(TP-1)	TRAP PRIMER FOR SINGLE APPLICATIONS - ZURN Z-1022XL IN-LINE PRIMER. MOUNT RECESSED IN WALL BELOW SINK WHERE SHOWN ON PLANS. RUN 1/2" COLD WATER LINE BELOW FLOOR TO SINGLE OR DOUBLE FLOOR DRAINS. REFER TO DETAIL SP3.1 FOR TYPICAL INSTALLATION.		12"		
(TP-2)	TRAP PRIMER FOR MULTIPLE DRAINS APPLICATIONS - ZURN Z-1022XL 5-CM ELECTRONIC TRAP PRIMER SYSTEM. MOUNT RECESSED IN WALL WITH COVER. RUN 1/2" COLD WATER LINE TO EACH TRAP AS SHOWN ON FLOOR PLANS. REFER TO DETAIL SP3.1 FOR INSTALLATION.		3/4"		
(U-1)	URINAL - KOHLER K-4989-T 'FRESHMAN' WITH SLOAN 8180 'OPTIMA' AUTOMATIC FLUSH VALVE AND WALL CARRIER. REFER TO ARCHITECTURAL DRAWINGS FOR MOUNTING HEIGHTS.		3/4"	2"	2"
(W-1)	WASHING MACHINE HOOK-UP - OATEY RECESSED WASHER BOX WITH TOP SUPPLY WATER LINES WITH SHUT-OFF VALVE AND 2" WASTE LINE WITH P-TRAP.	12"	12"	2"	2"
(WB-1)	WASH BASIN - BRADLEY MODEL MG-2-IRP-LSD-2 'TERREON' 2 STATION LAVATORY SYSTEM WITH OFF-LINE VENT AND IN WALL SUPPLIES, 2" WASTE LINE WITH DEEP SEAL P-TRAP AND INFRARED SENSOR.	3/4"	3/4"	2"	2"
(WC-1)	ADA WATER CLOSET - KOHLER MODEL K-4368 'HIGHCLIFF' WITH K-4670C WHITE OPEN FRONT SEAT, BOLT CAPS AND SLOAN 'OPTIMA' 8111-1.6 AUTOMATIC FLUSH VALVE.		1"	4"	2"
(WC-2)	WATER CLOSET - KOHLER MODEL K-4550 'WELLCOMME' WITH K-4670C WHITE OPEN FRONT SEAT, BOLT CAPS AND SLOAN 'OPTIMA' 8111-1.6 AUTOMATIC FLUSH VALVE.		1"	4"	2"
(WC-3)	ADA WATER CLOSET - KOHLER MODEL K-4436 'HIGHLINE' WITH K-4670C WHITE OPEN FRONT SEAT AND BOLT CAPS.		1/2"	4"	2"
(WC-4)	WATER CLOSET - KOHLER MODEL K-4436-T 'WELLWORTH' WITH K-4670C WHITE OPEN FRONT SEAT AND BOLT CAPS.		1/2"	4"	2"
(WF-1)	WALL FLANGE - JAY R. SMITH MODEL 1770 WITH ROUGH BRONZE CONSTRUCTION, WALL FLANGE AND 3" DRAIN LINE CONNECTION.			3"	
(WF-2)	WALL FLANGE - JAY R. SMITH MODEL 1770 WITH ROUGH BRONZE CONSTRUCTION, WALL FLANGE AND 4" DRAIN LINE CONNECTION.			4"	
(WH-1)	ELECTRIC WATER HEATER - A.O. SMITH MODEL EOL-50 WITH 50 GALLON CAPACITY, (2) 4.5 KW NON-SIMULTANEOUS ELEMENTS (208/0/1), 3/4" SUPPLY AND 1 1/8" RELIEF VALVE, THERMAL EXPANSION TANK, HEAT TRAP NIPPLES AND SYMMONS 7-200 MIXING VALVE.	1-1/2"	1-1/2"		
(WH-2)	GAS FIRED WATER HEATER - A.O. SMITH MODEL BTH-199 WITH 100 GALLON TANK, 1-1/4" CONNECTIONS WITH HEAT TRAP NIPPLES, ST-5 EXPANSION TANK, SYMMONS 5-900 MIXING VALVE, 1150,000 BTU BURNER, 3/4" TRAP RELIEF VALVE AND (2) 4" Dia. VENTS THRU ROOF WITH WEATHER CAP, (120V/1PH). REFER TO DETAIL RP3.1 FOR TYPICAL INSTALLATION. SET TEMP. @ 140 Deg.	1-1/4"	1-1/4"		
(WS-1)	WATER SOFTENER - WATER TECH INDUSTRIES 'SOFTMAX' 25000-25000 SOFTENER WITH 2" BY-PASS VALVE, SYSTEM CONTROLLER WITH POWER CORD, SINGLE BRINE TANK, 200,000 KGR CAPACITY, 68 GPM CONTINUOUS FLOW AND 91 GPM PEAK FLOW. (120/60/1)	2"	2"		

gpc architects  
18 N. Main St., Ste. 200  
Driggs, Idaho 83422  
208.354.8036  
www.gpcarchitects.com



Ownership & Use of Documents  
Drawings and specifications, as instruments of professional service are and shall remain the property of the architect. These documents are not to be used, in whole or in part, for any project or purpose whatsoever, without the prior specific written authorization of GPC Architects, LLC.

Engineered Systems Associates  
ESA JOB NUMBER 18007

TETON SCHOOL DISTRICT 401  
RENDEZVOUS UPPER ELEMENTARY SCHOOL  
ADDITIONS AND RENOVATIONS



revisions

no.	description	date

project: 1723  
date: 9/20/2018

PLUMBING FIXTURE SCHEDULE  
sheet:  
**P3.2**