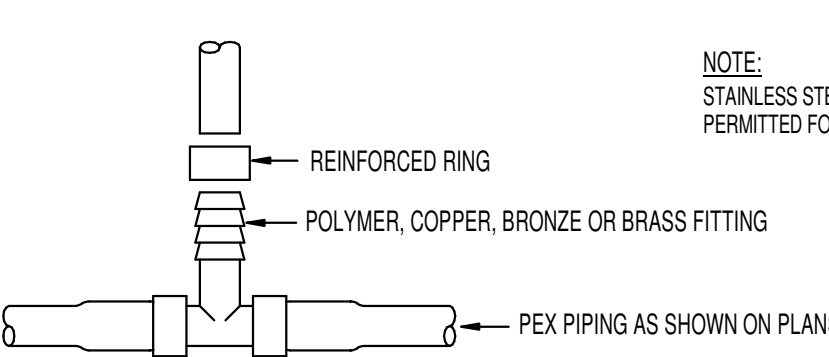
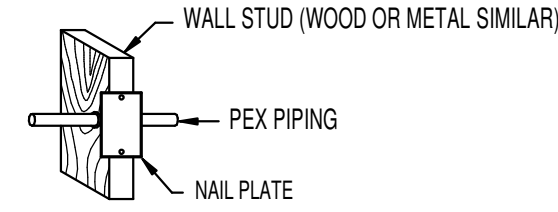


THIS TYPE COLD EXPANSION OF FITTING REQUIRES THAT THE PEX PIPING, WITH REINFORCING PEX RING PLACED OVER THE END OF THE PIPE, IS EXPANDED BEFORE THE FITTING IS INSERTED INTO THE PIPE END. THE EXPANDED PIPE END IS ALLOWED TO RETRACT ONTO THE FITTING TO FORM THE SEAL. THE MEMORY OF THE PIPE ALLOWS IT TO TIGHTEN OVER THE FITTING. AN EXPANDER TOOL IS REQUIRED TO EXPAND THE PIPE AND THE PEX RING TOGETHER.

ALL JOINTS (TEES, ELBOWS, COUPLINGS, ETC.) ARE JOINED SIMILARLY.

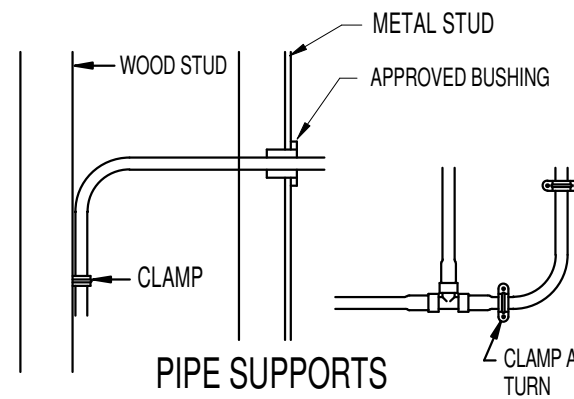


NOTE: STAINLESS STEEL CLAMP BANDS ARE ALSO PERMITTED FOR REINFORCING RING.

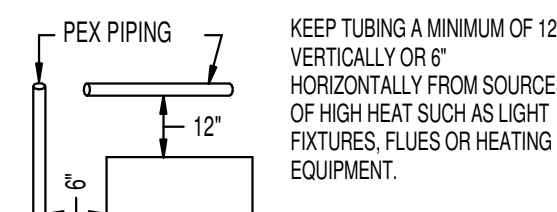


WALL INSTALLATION

PIPE SUPPORTS: PLASTIC HANGERS AND STRAPS ARE RECOMMENDED, BUT METAL SUPPORTS WHICH ARE DESIGNED FOR USE WITH PLASTIC TUBING CAN BE USED. DO NOT USE SUPPORTS THAT PINCH OR CUT THE TUBING. SUPPORT SHOULD ALLOW FREE TUBING MOVEMENT. INSPECT ALL SUPPORTS PRIOR TO INSTALLATION TO ENSURE THAT SHARP EDGES DO NOT EXIST THAT CAN DAMAGE THE TUBING.



DO NOT USE IN ANY APPLICATION WHERE TUBING WILL BE EXPOSED TO DIRECT SUNLIGHT.



MIN. CLEARANCES

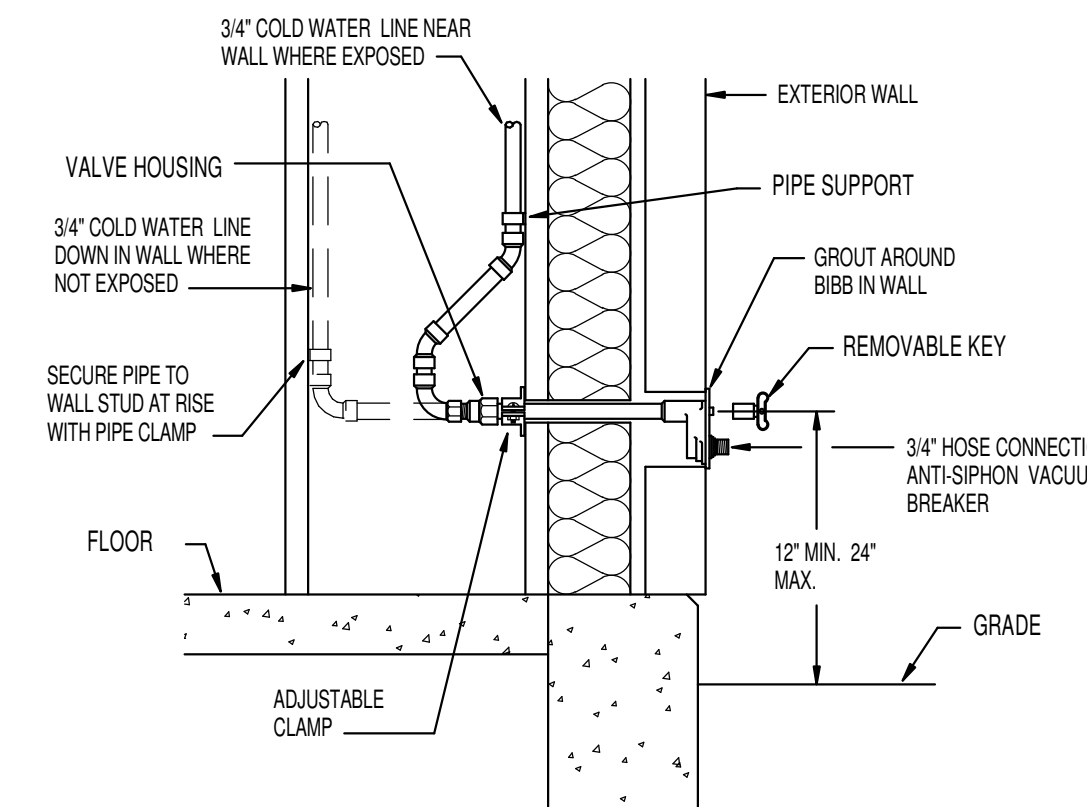
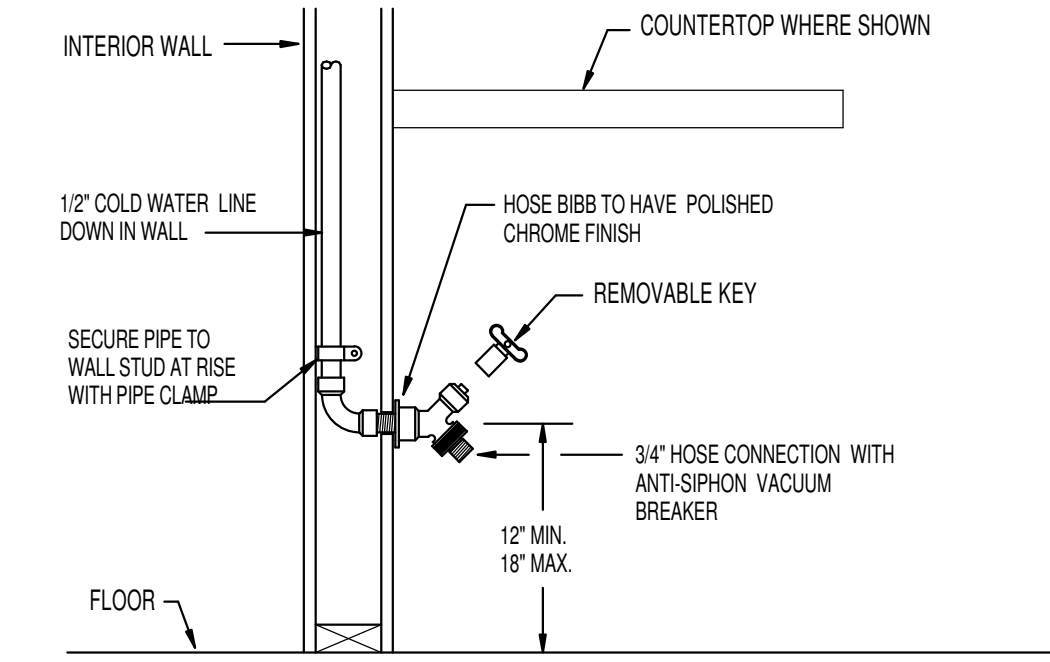
TUBING SIZE	MIN. RADIUS BENDING
3/8"	4"
1/2"	5"
3/4"	7"
1"	9"

TUBING AND FITTINGS SHALL BE STORED UNDERCOVER FOR CLEANLINESS AND TO AVOID EXPOSURE TO SUNLIGHT. CONSULT MANUFACTURER FOR RECOMMENDED LIMITS TO OUTSIDE STORAGE.

DO NOT CRUSH OR KINK TUBING

DO NOT DRAG TUBING OVER ROUGH TERRAIN, ROCKS, OR ANY SURFACE THAT CAN CUT, PUNCTURE OR DAMAGE TUBING WALL.

NOTE: USE ONLY CONTINUOUS LENGTH TUBING (NO FITTINGS) WHEN INSTALLING PEX UNDER OR WITHIN A SLAB. PROTECT PEX TUBING WITH NONMETALLIC SLEEVES WHERE IT PENETRATES A SLAB OR FOUNDATION WALL.



A | PEX PIPE FITTING DETAIL

NO SCALE

B | PEX PIPE INSTALLATION DETAIL

NO SCALE

C | PEX PIPE HANDLING DETAIL

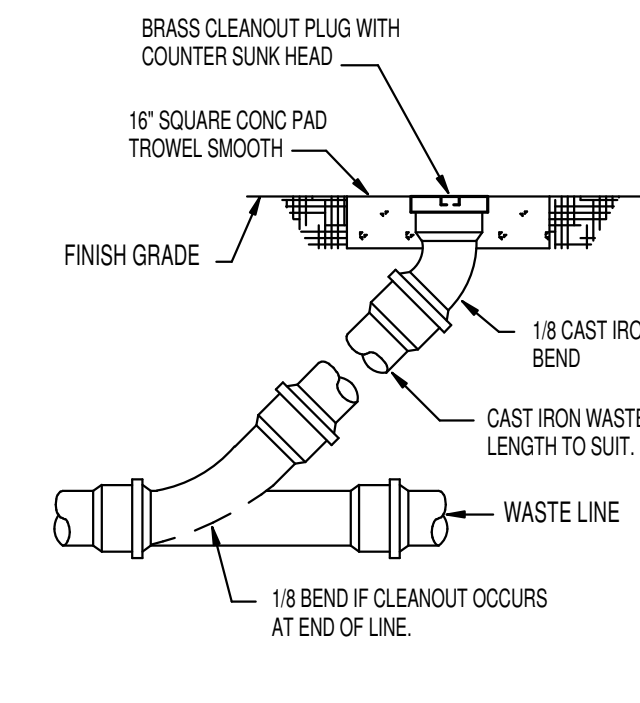
NO SCALE

D | INTERIOR HOSE BIBB DETAIL

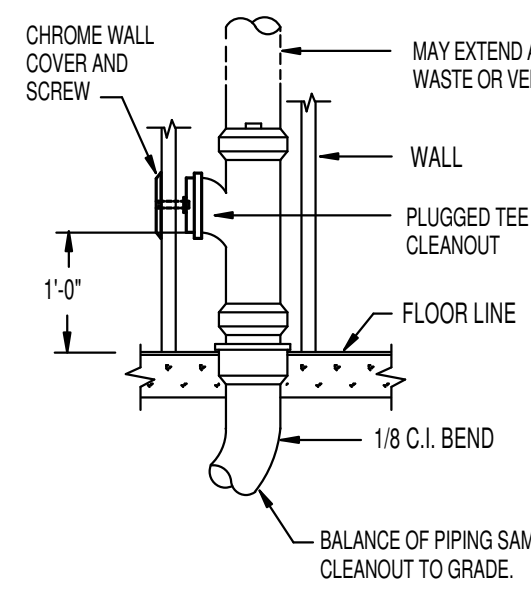
NO SCALE

E | EXTERIOR HOSE BIBB DETAIL

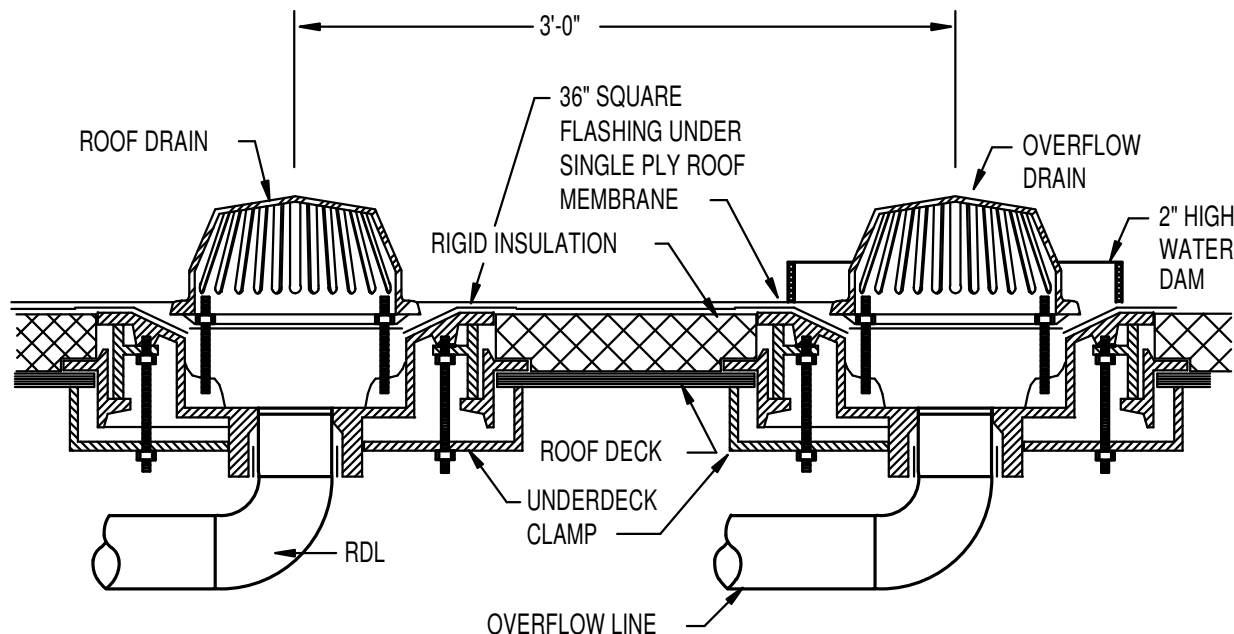
NO SCALE



CLEANOUT TO GRADE (COTG)

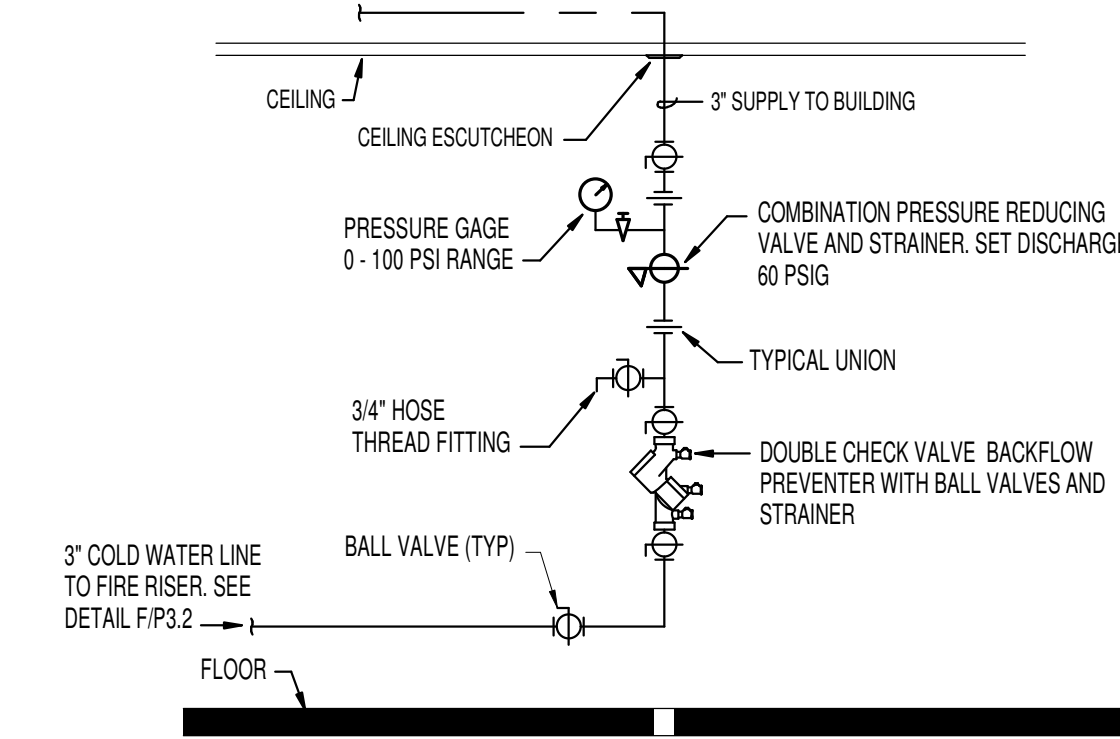


WALL CLEANOUT (WCO)



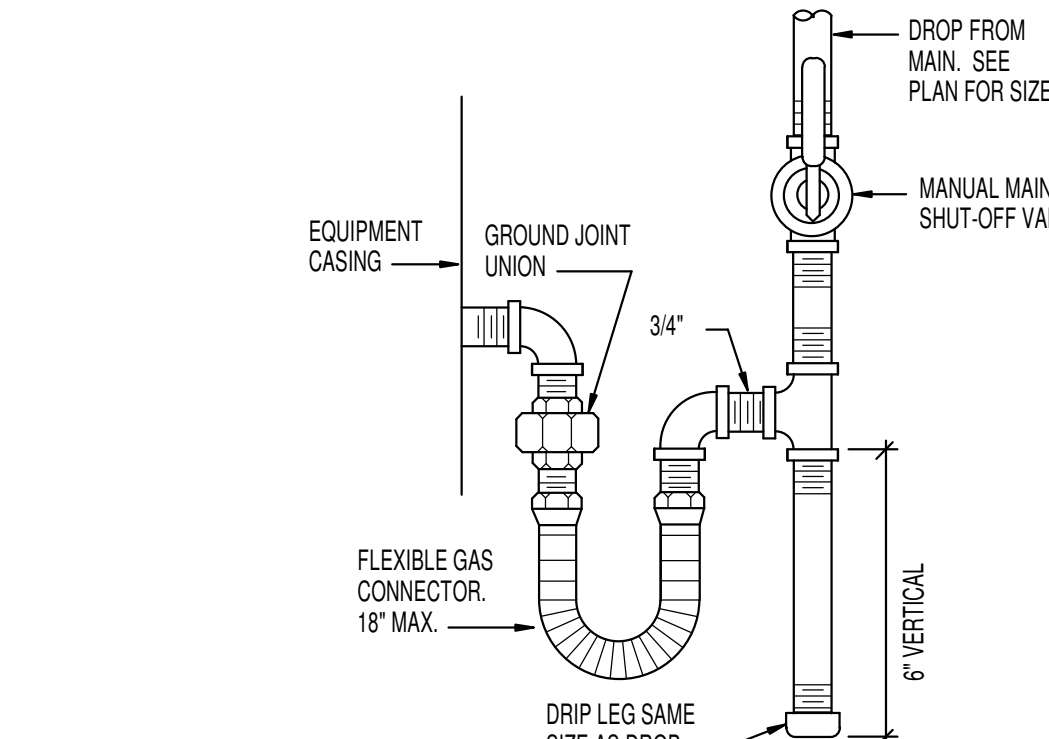
G | ROOF DRAIN DETAIL

NO SCALE



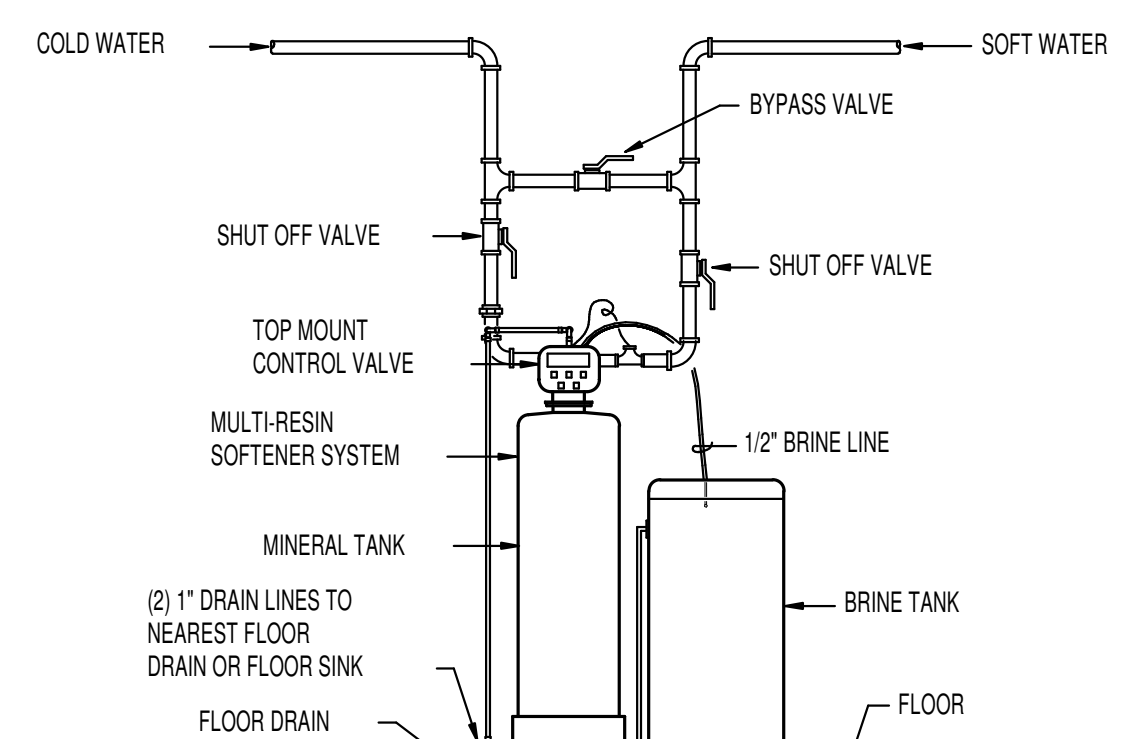
H | DOMESTIC WATER PRV STATION DETAIL

NO SCALE



J | GAS CONNECTION DETAIL

NO SCALE

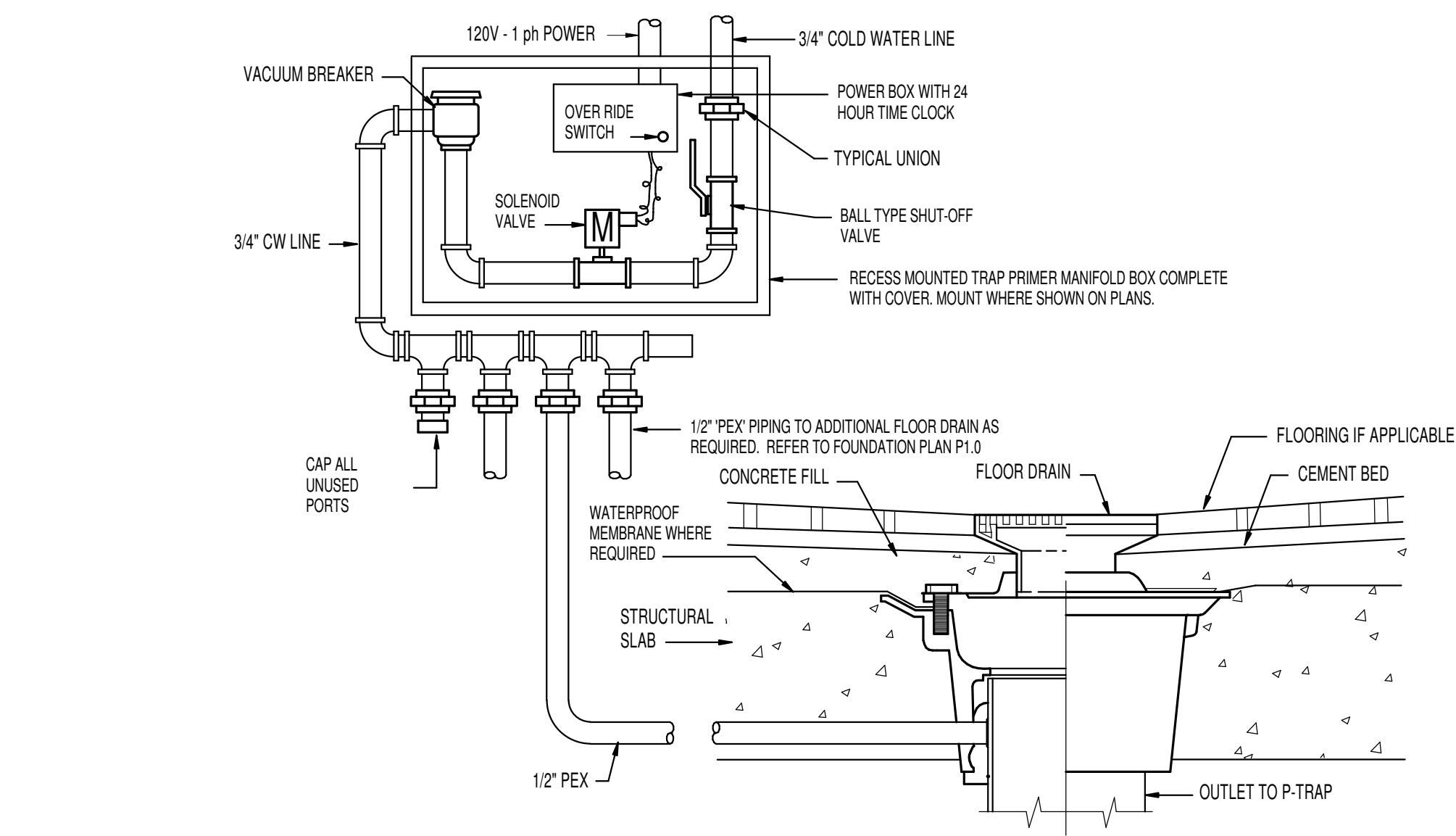


K | WATER SOFTENER PIPING DIAGRAM

NO SCALE

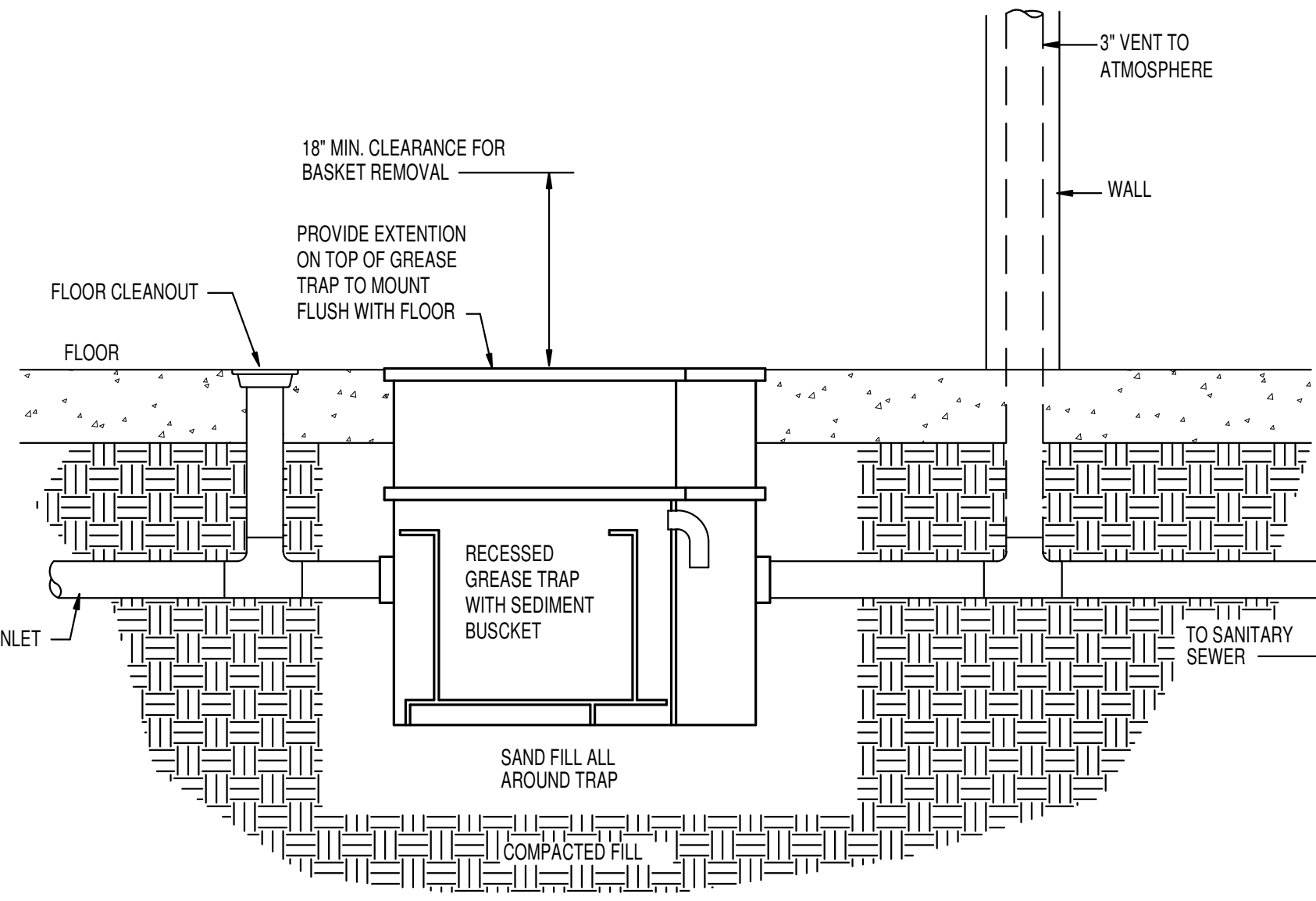
F | CLEAN OUT DETAILS

NO SCALE



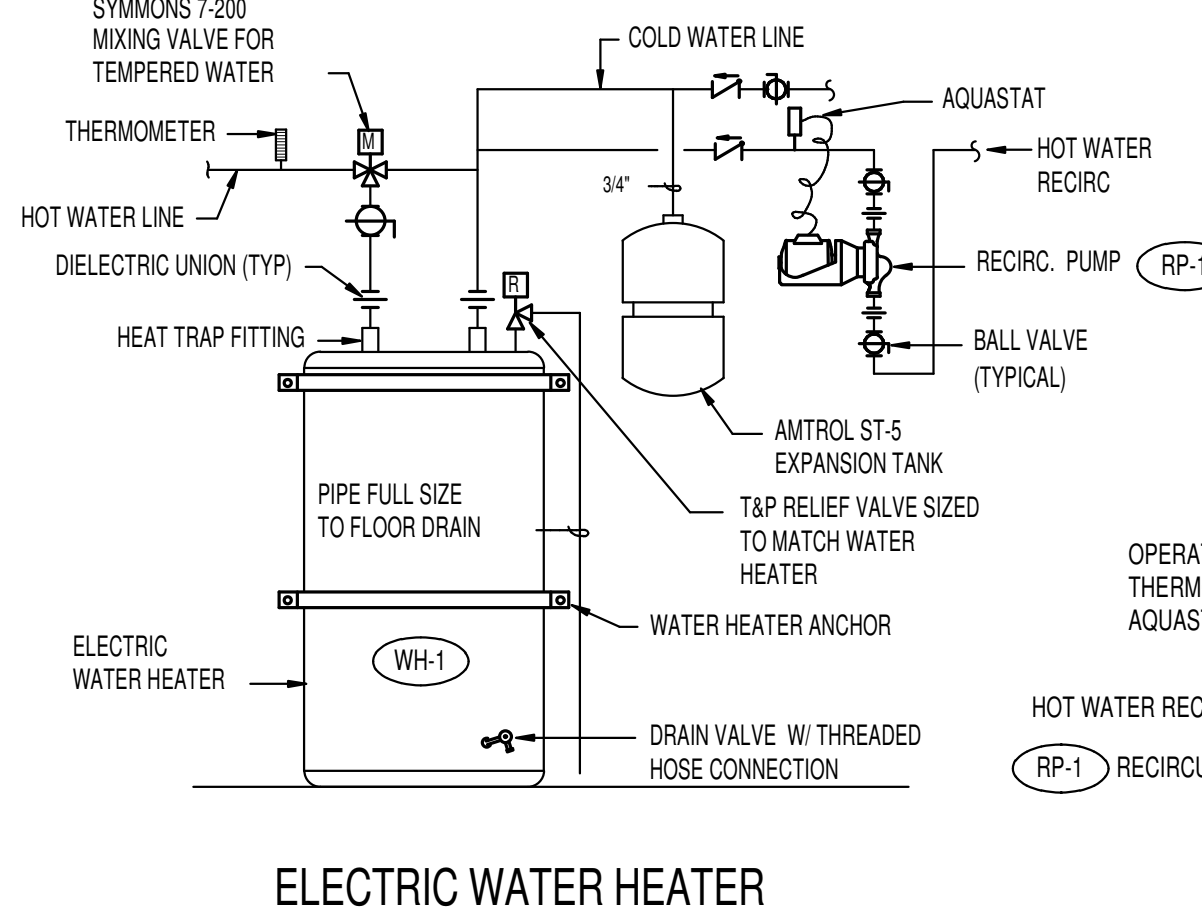
L | TRAP PRIMER DETAIL FOR MULTIPLE DRAIN APPLICATIONS

NO SCALE



M | GREASE TRAP DETAIL

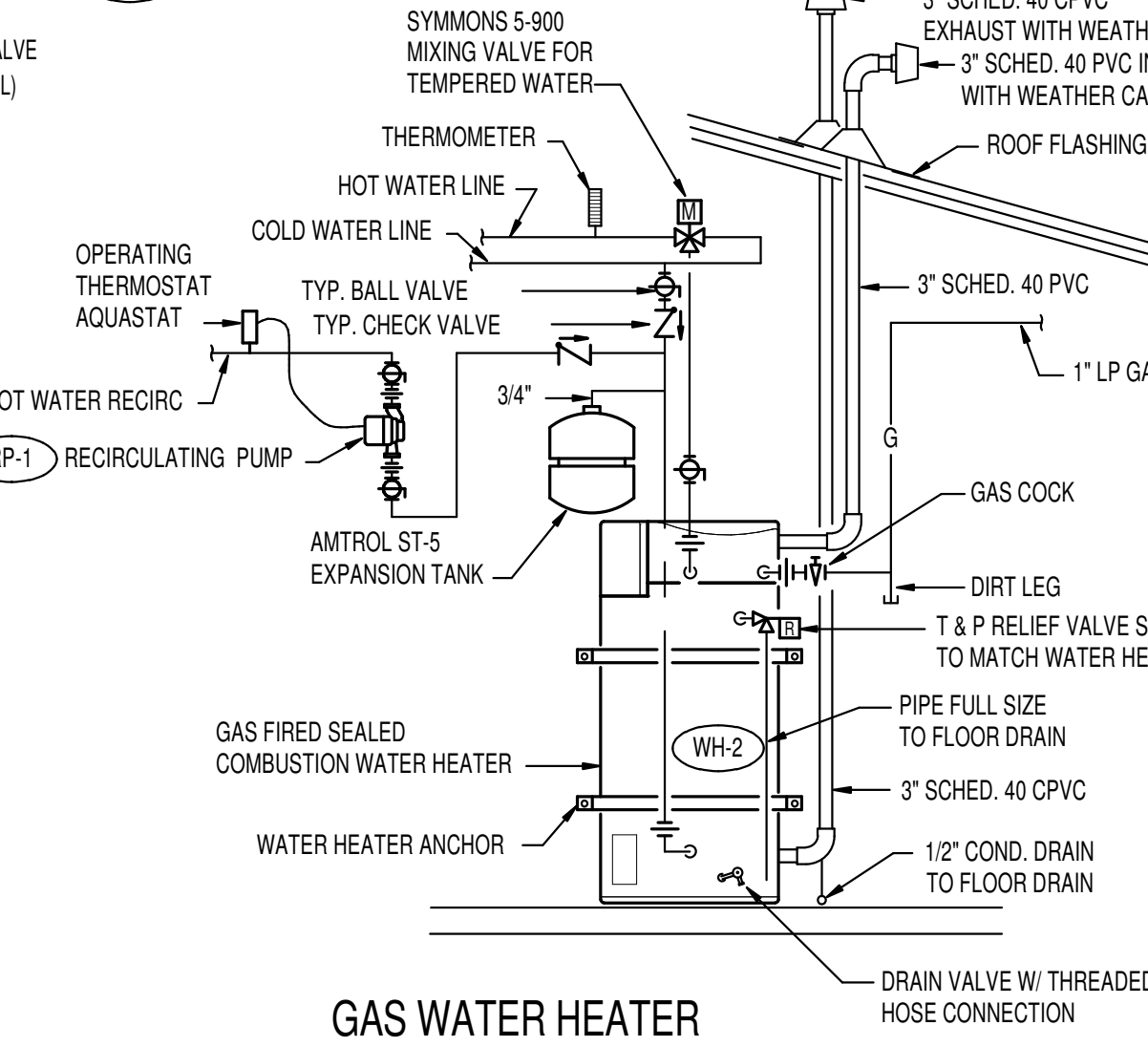
NO SCALE



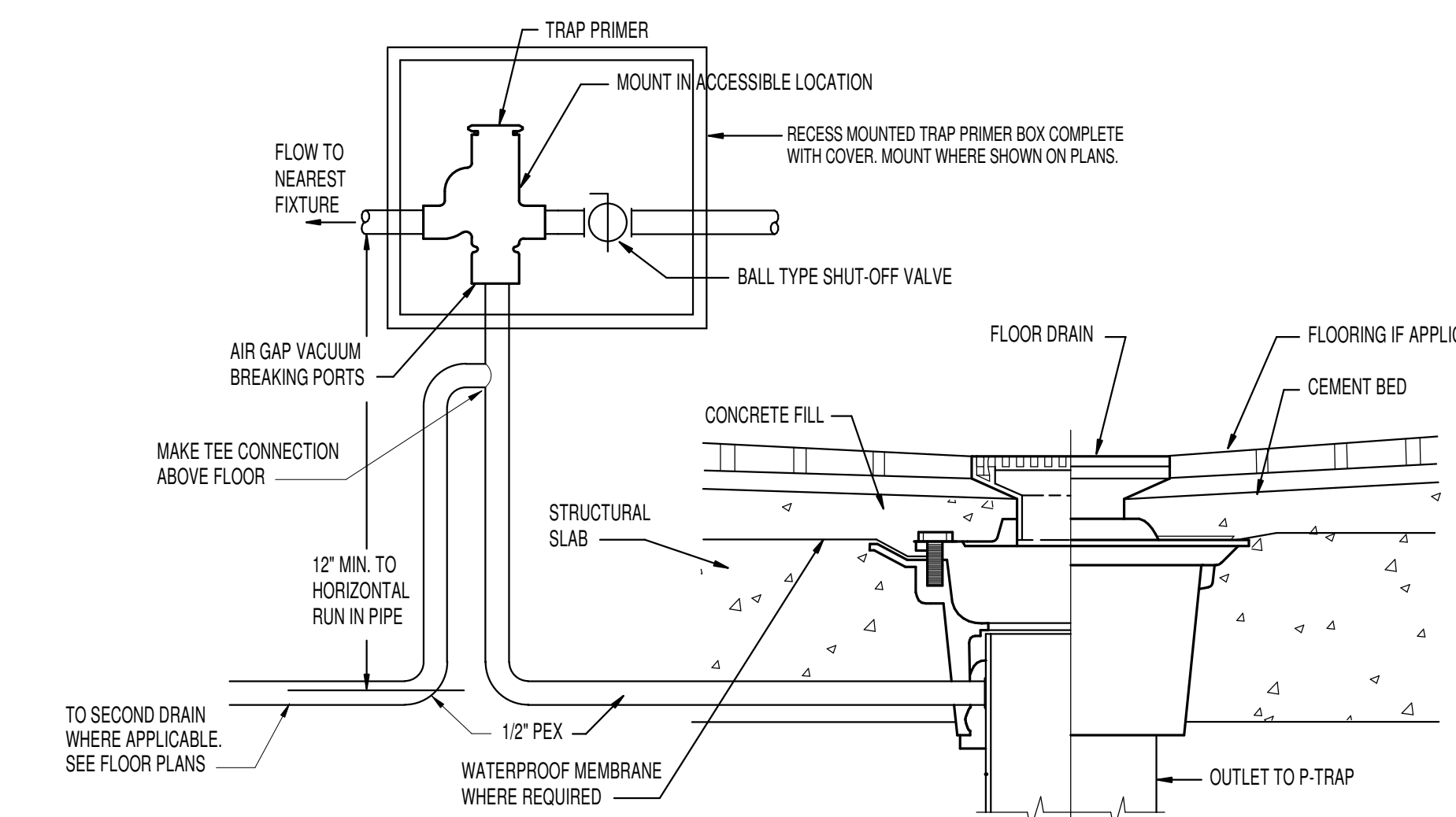
ELECTRIC WATER HEATER

N | WATER HEATER PIPING DIAGRAMS

NO SCALE

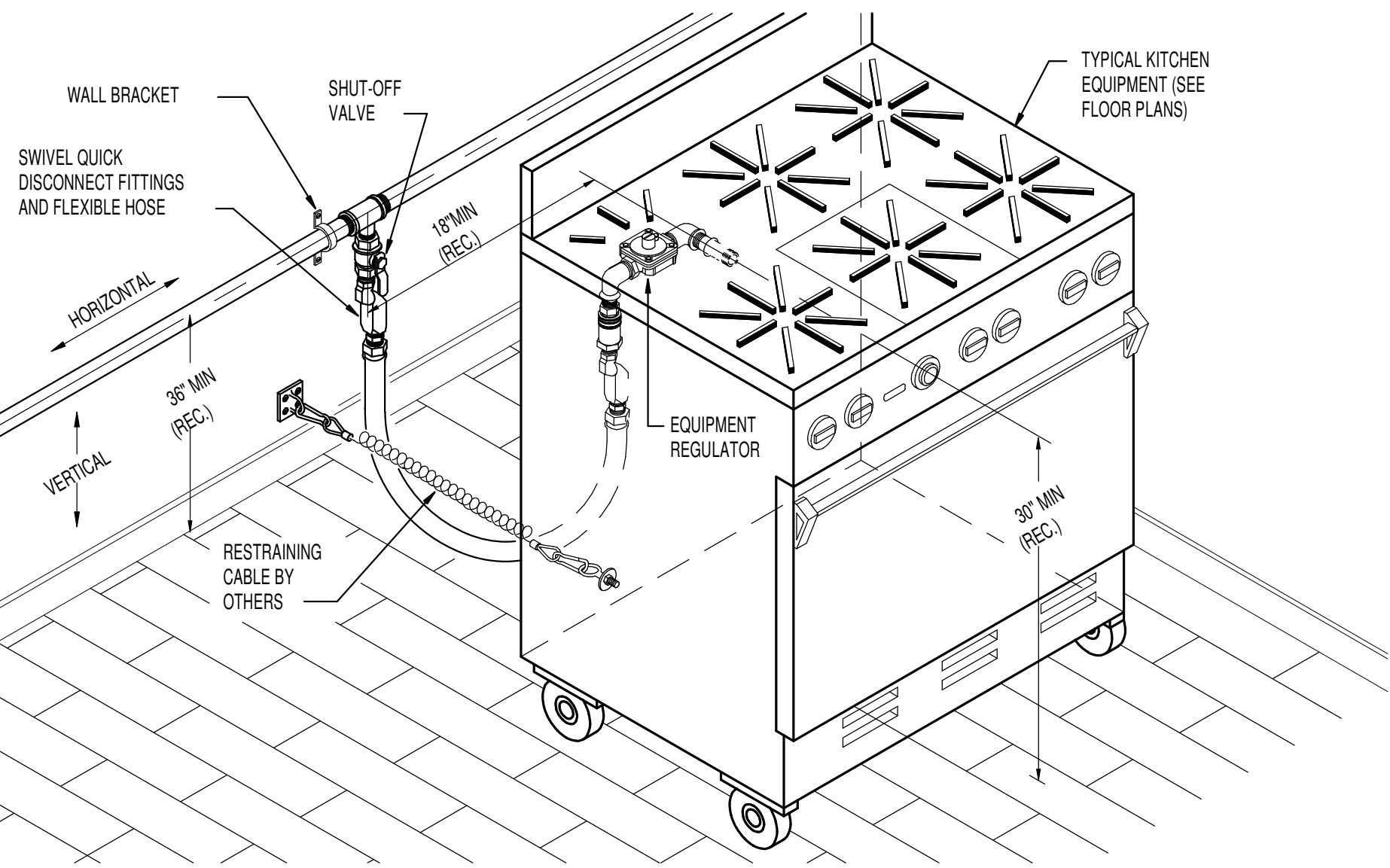


GAS WATER HEATER



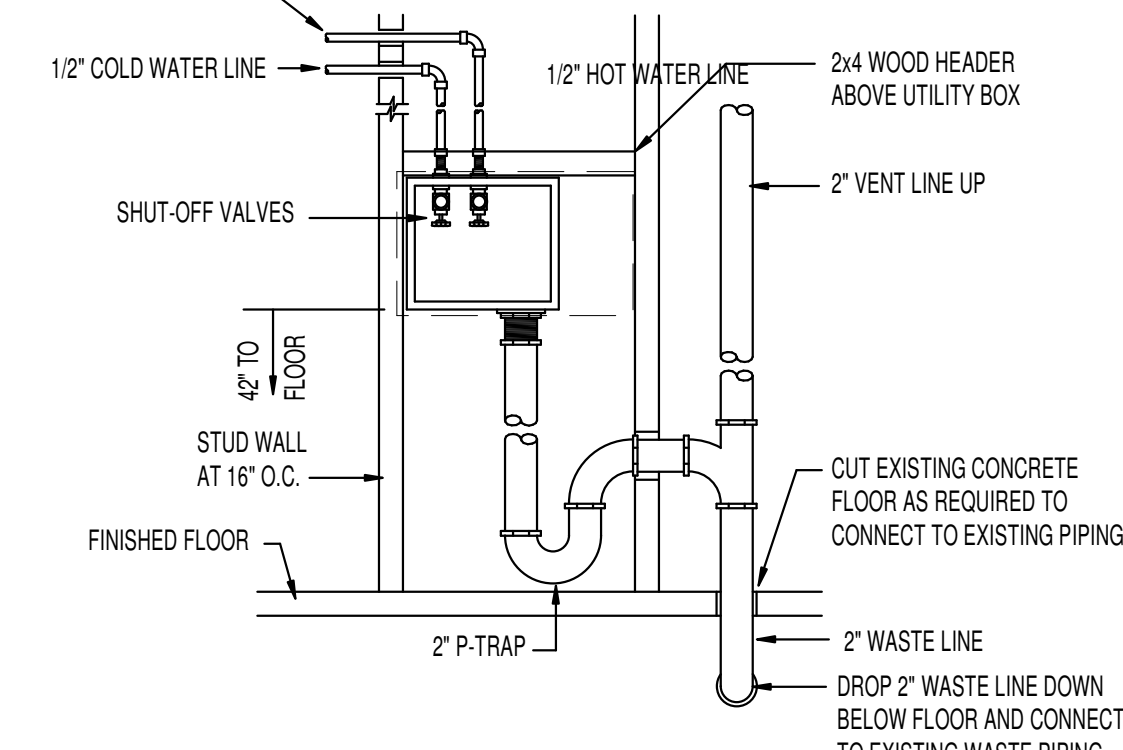
O | TRAP PRIMER DETAIL FOR SINGLE OR DOUBLE DRAIN APPLICATIONS

NO SCALE



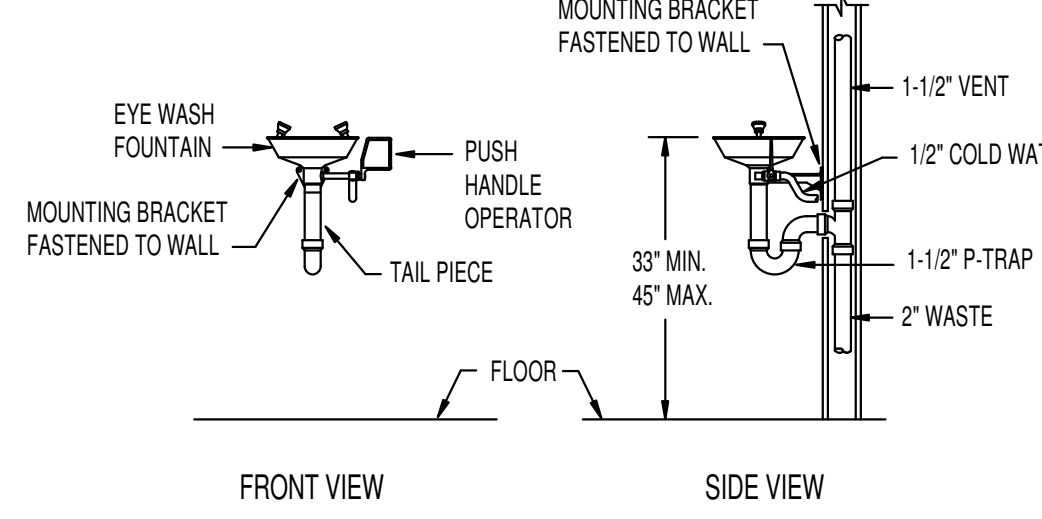
P | SWIVEL GAS HOSE CONNECTOR DETAIL

NO SCALE



Q | WASHER BOX PIPING DETAIL

NO SCALE



R | EYE WASH PIPING DETAIL

NO SCALE



revisions	no.	description	date

project: 1723
date: 9/20/2018
PLUMBING DETAILS AND DIAGRAMS
sheet: