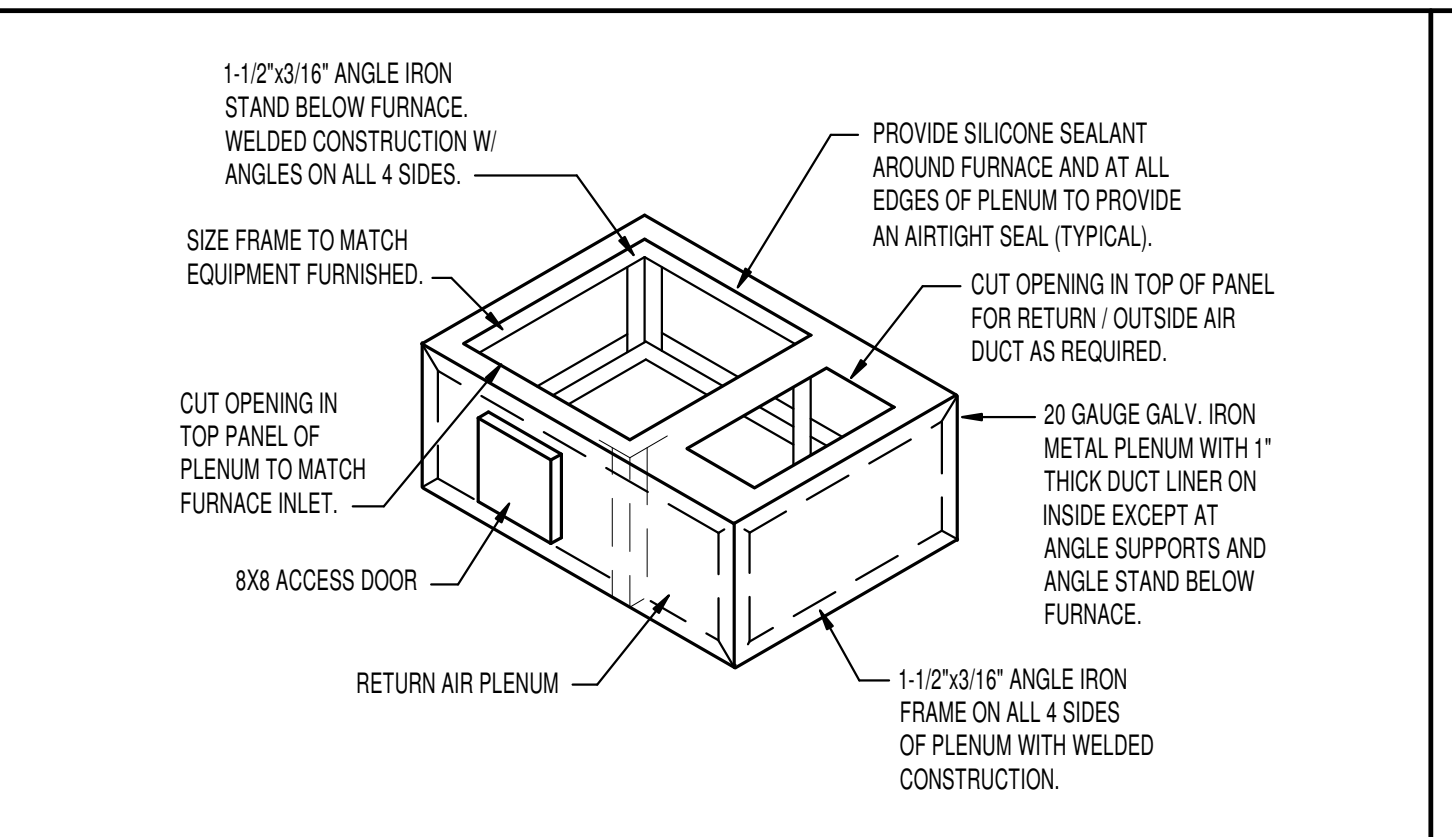
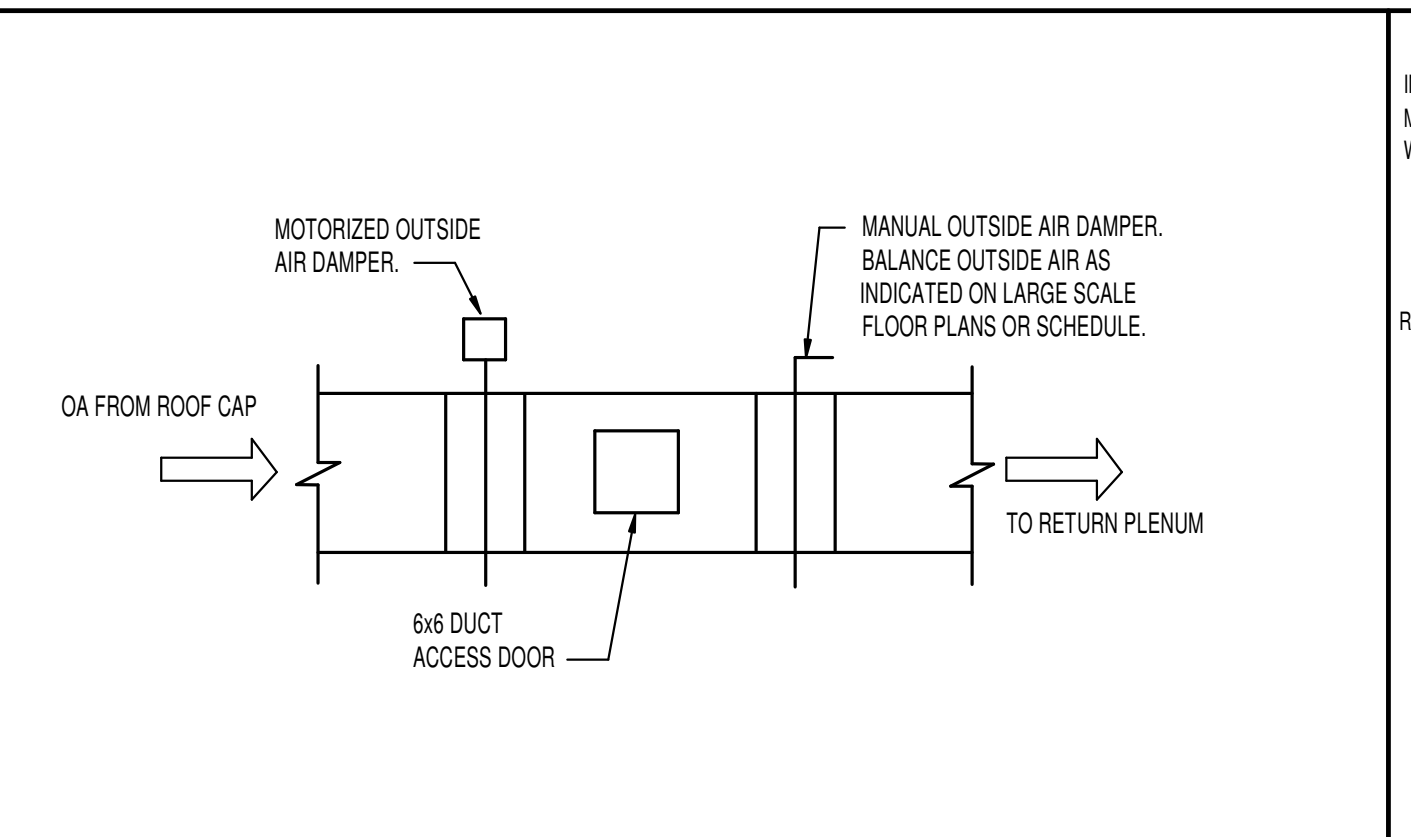


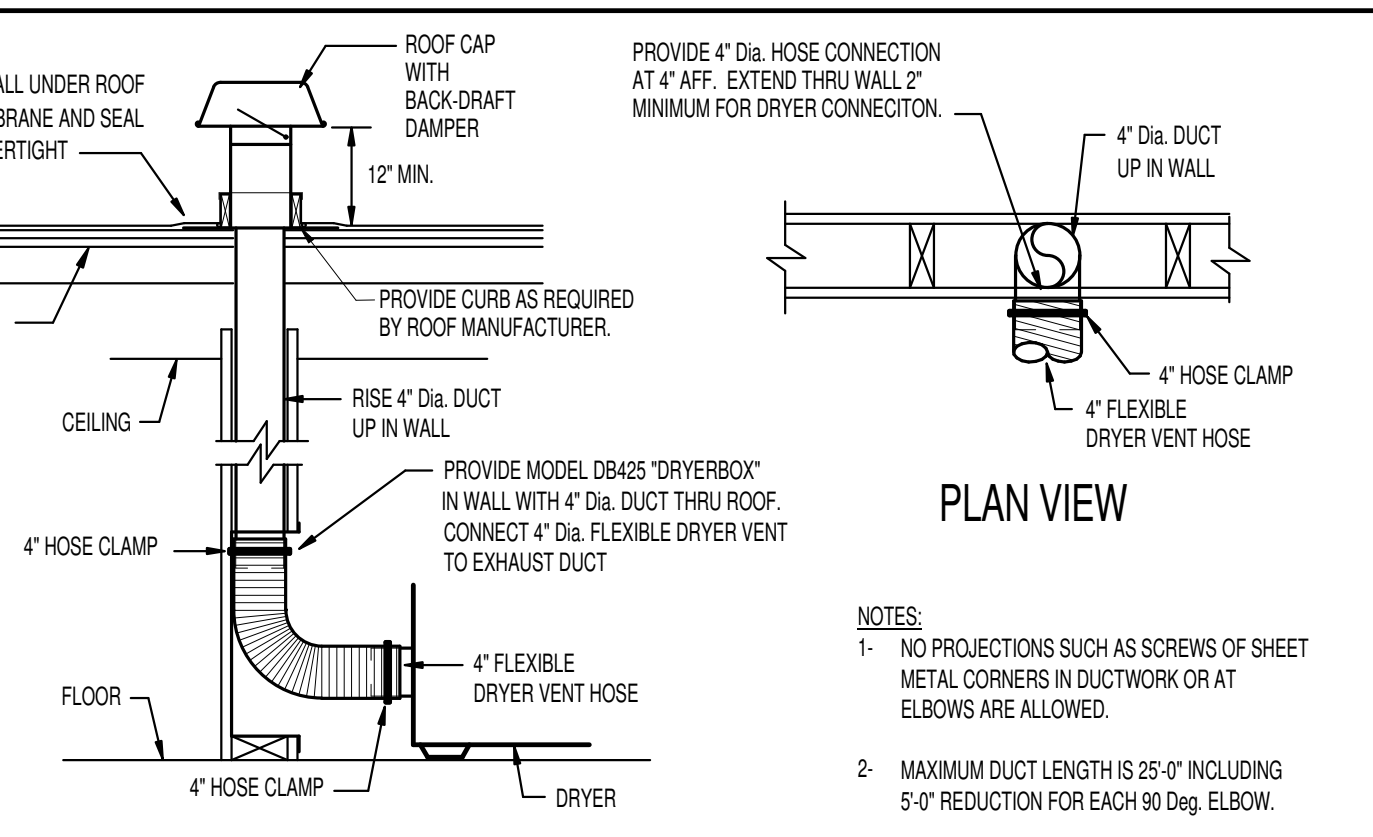
A | ROOF MOUNTED EXHAUST FAN DETAIL NO SCALE



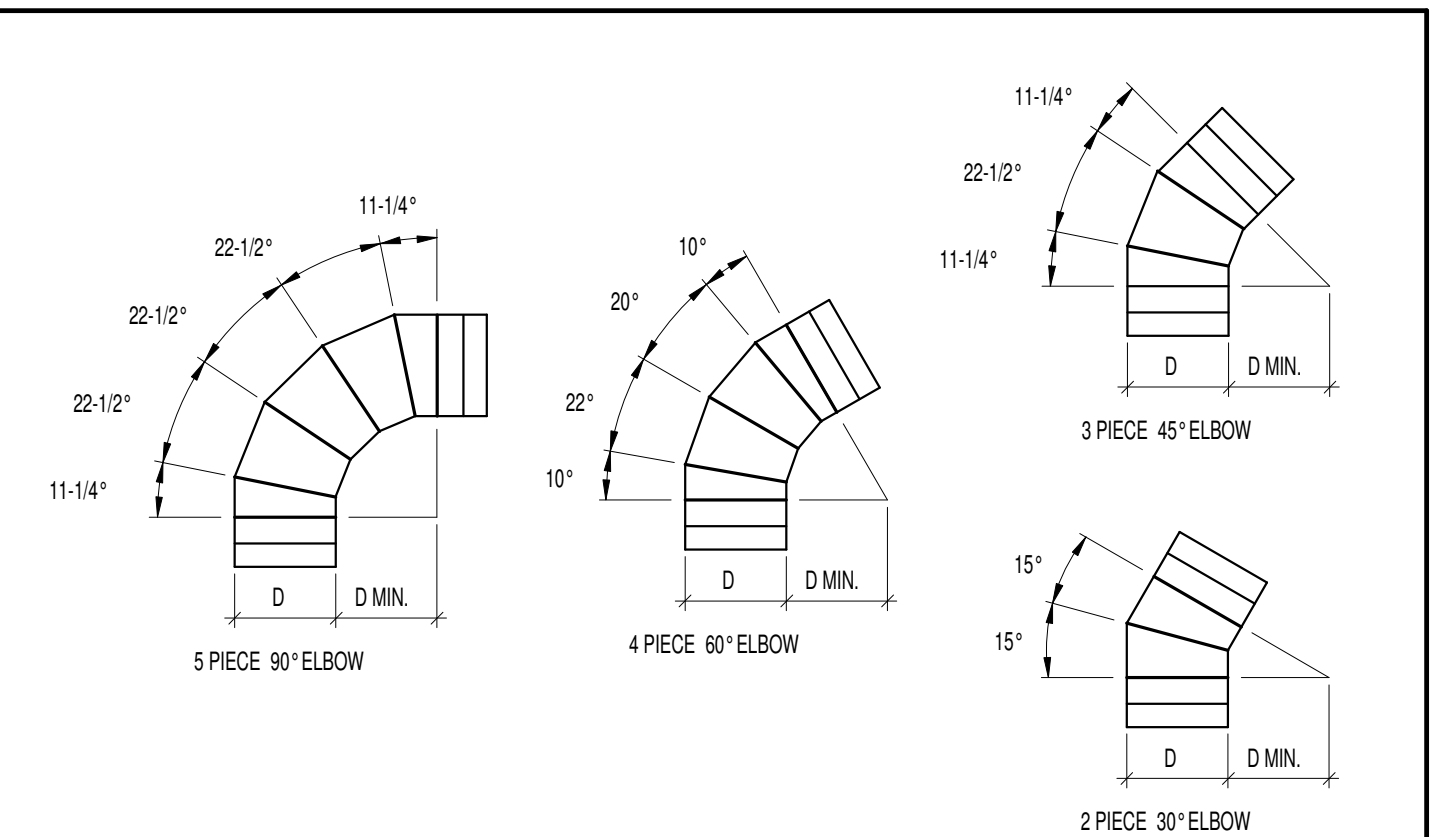
B | RETURN AIR PLENUM CONSTRUCTION NO SCALE



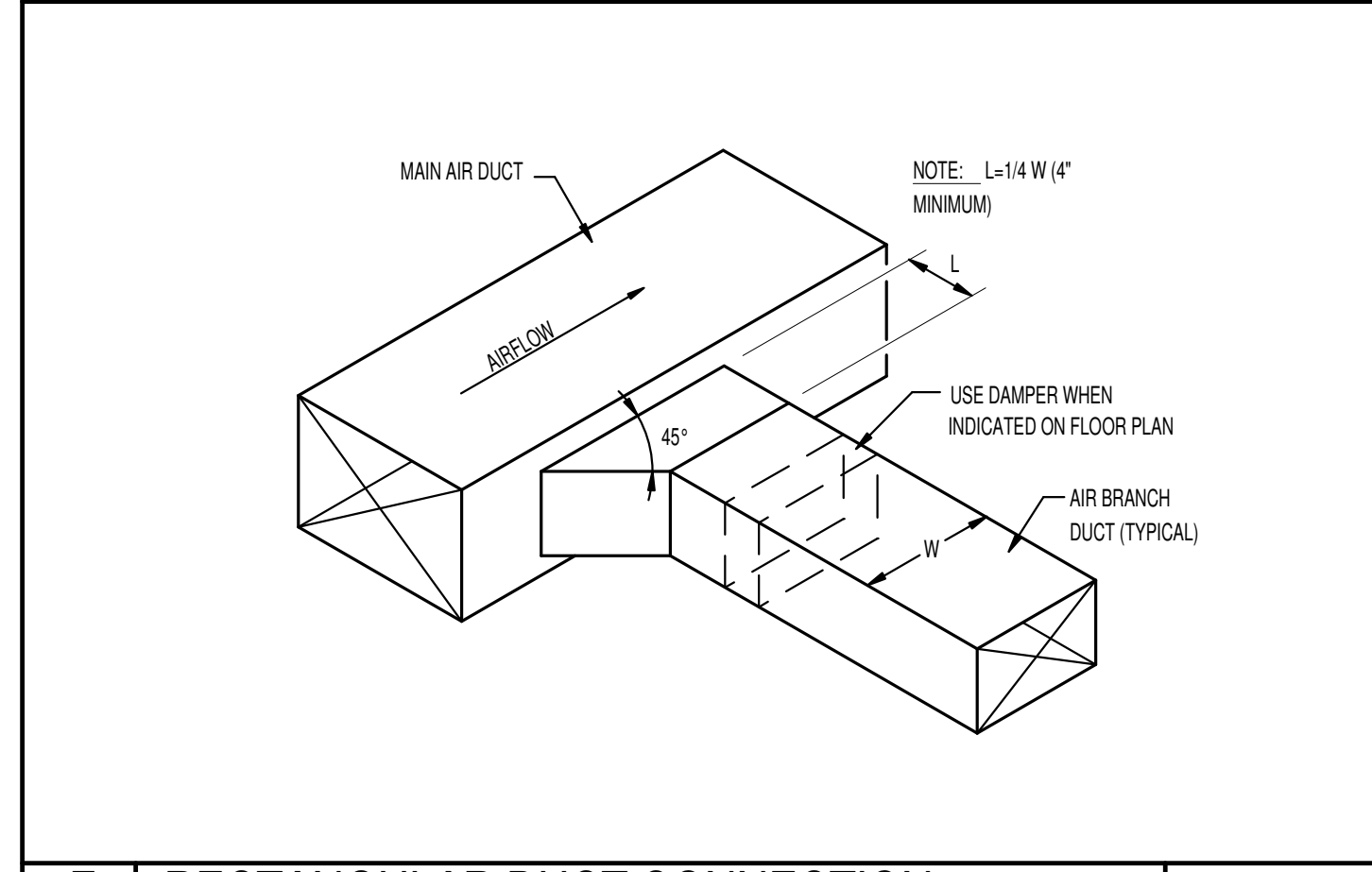
C | OUTSIDE AIR DAMPER INSTALLATION NO SCALE



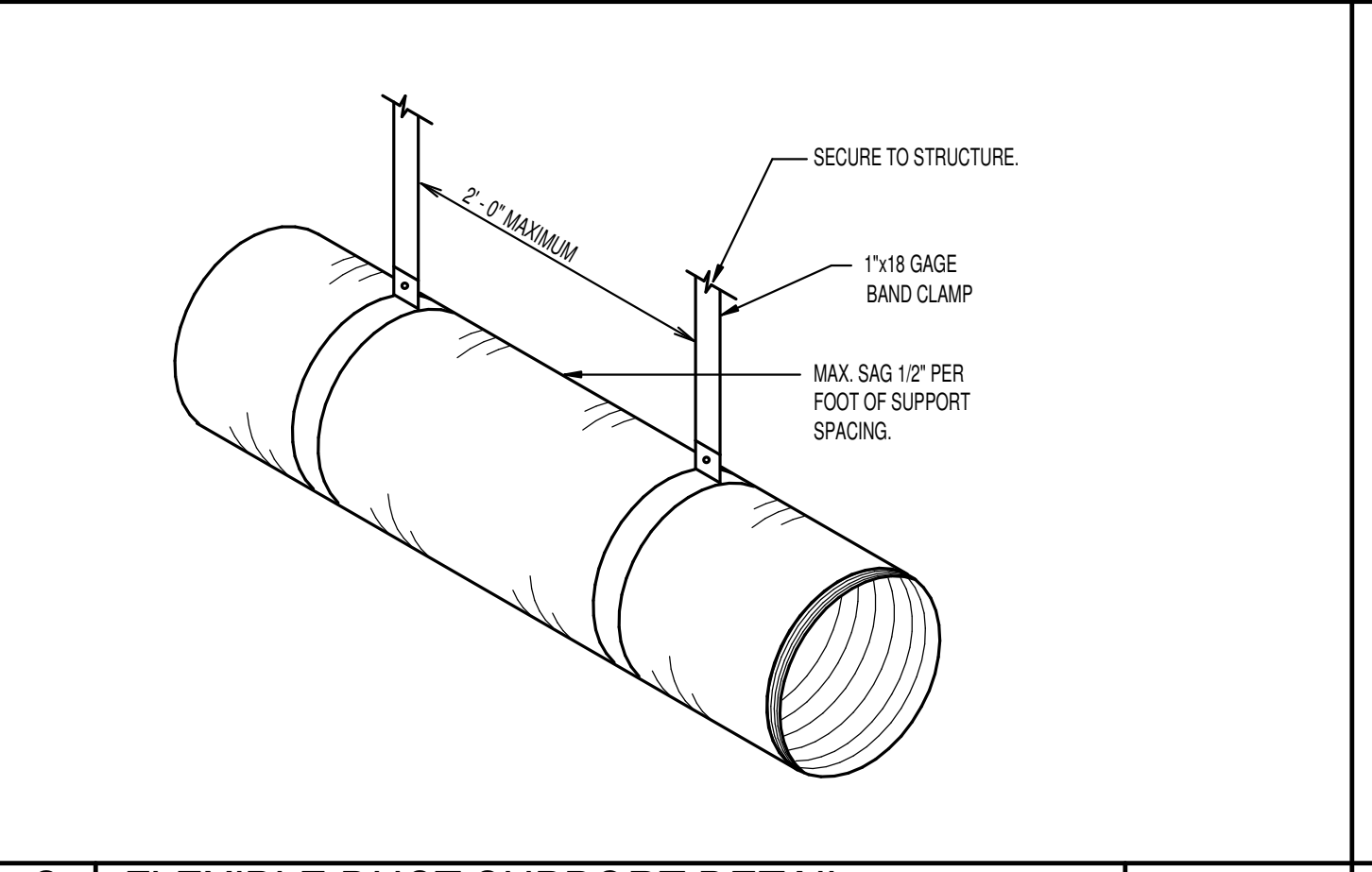
D | DRYER VENT DETAIL NO SCALE



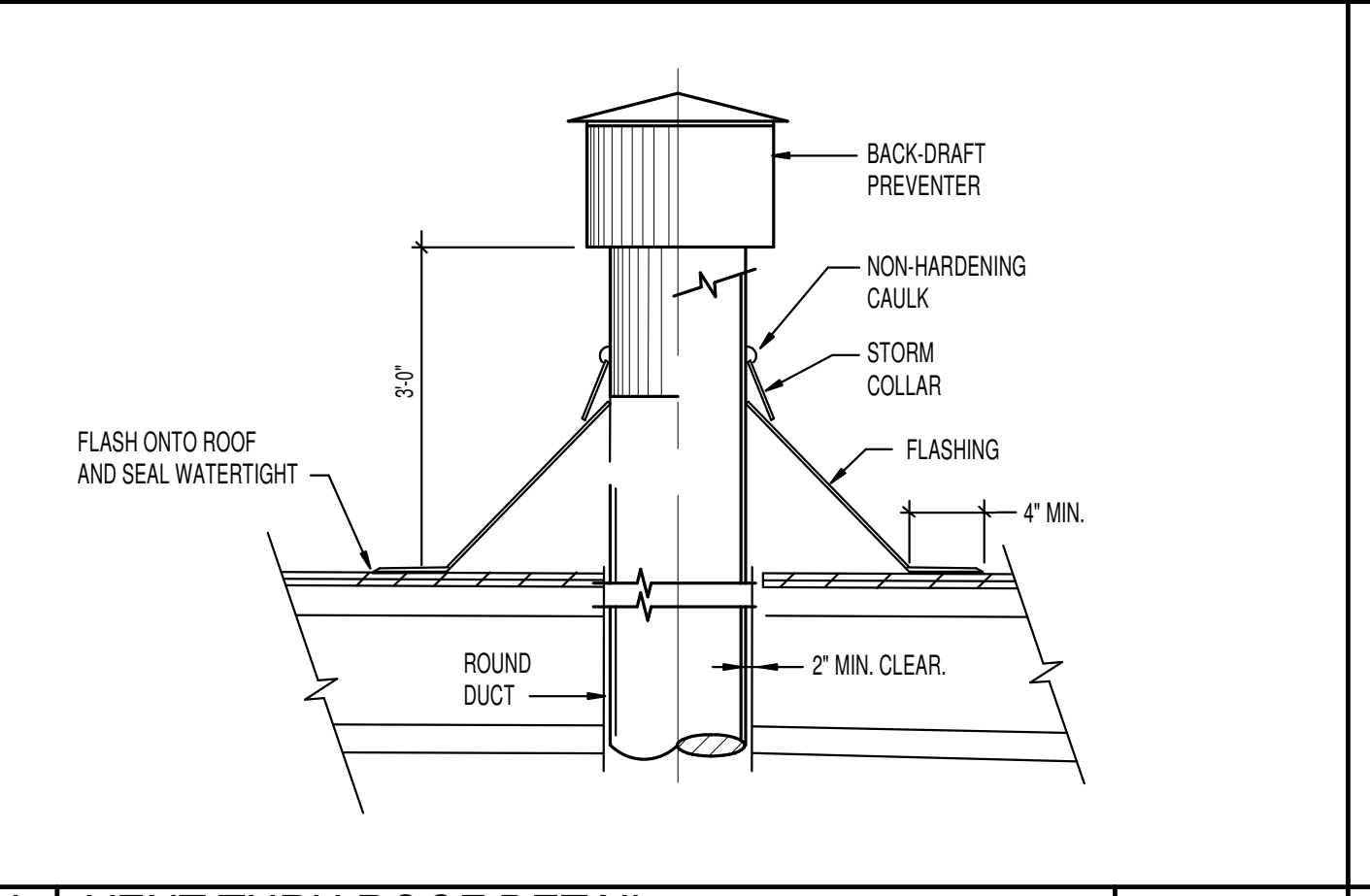
E | ROUND DUCT ELBOW DETAILS NO SCALE



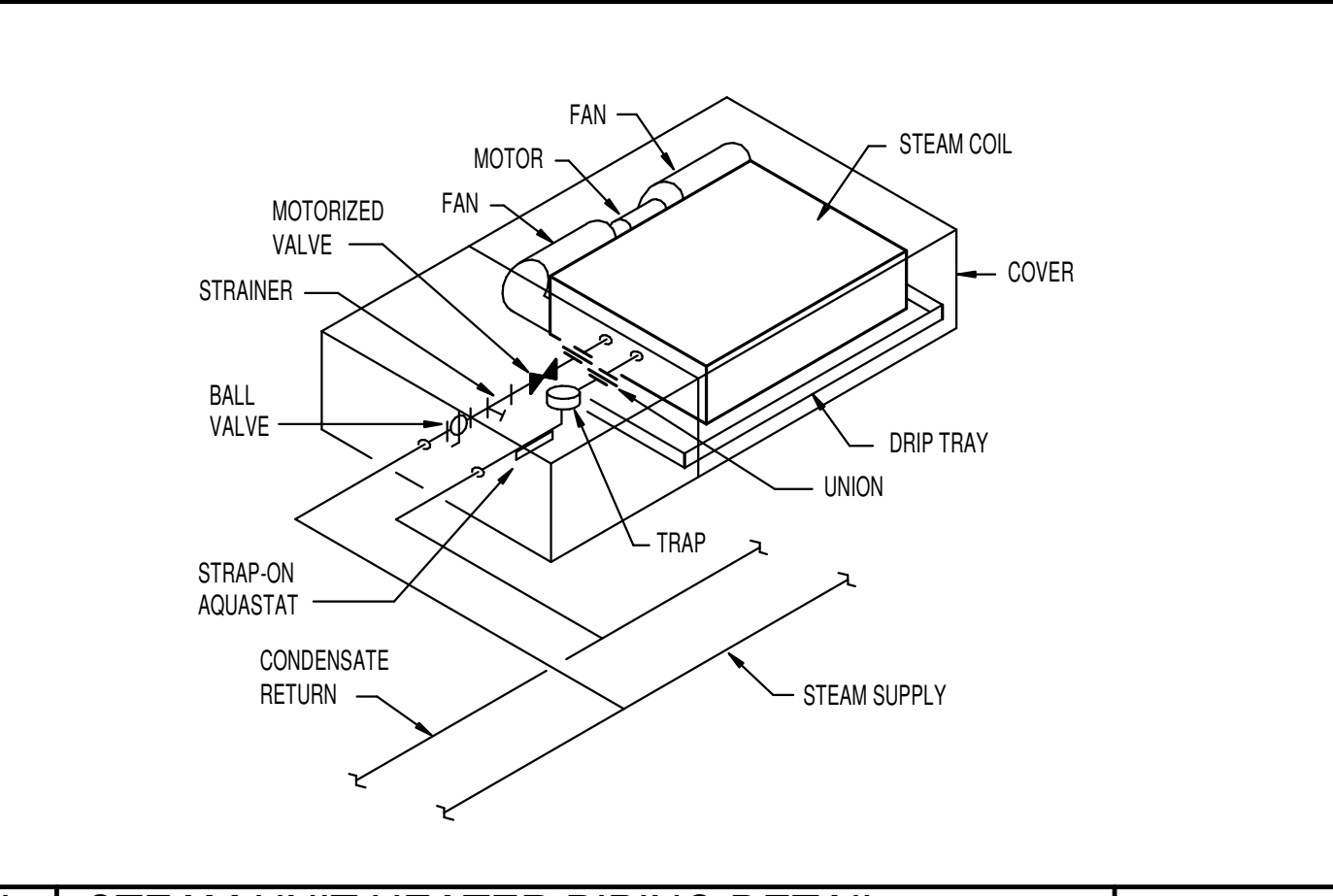
F | RECTANGULAR DUCT CONNECTION NO SCALE



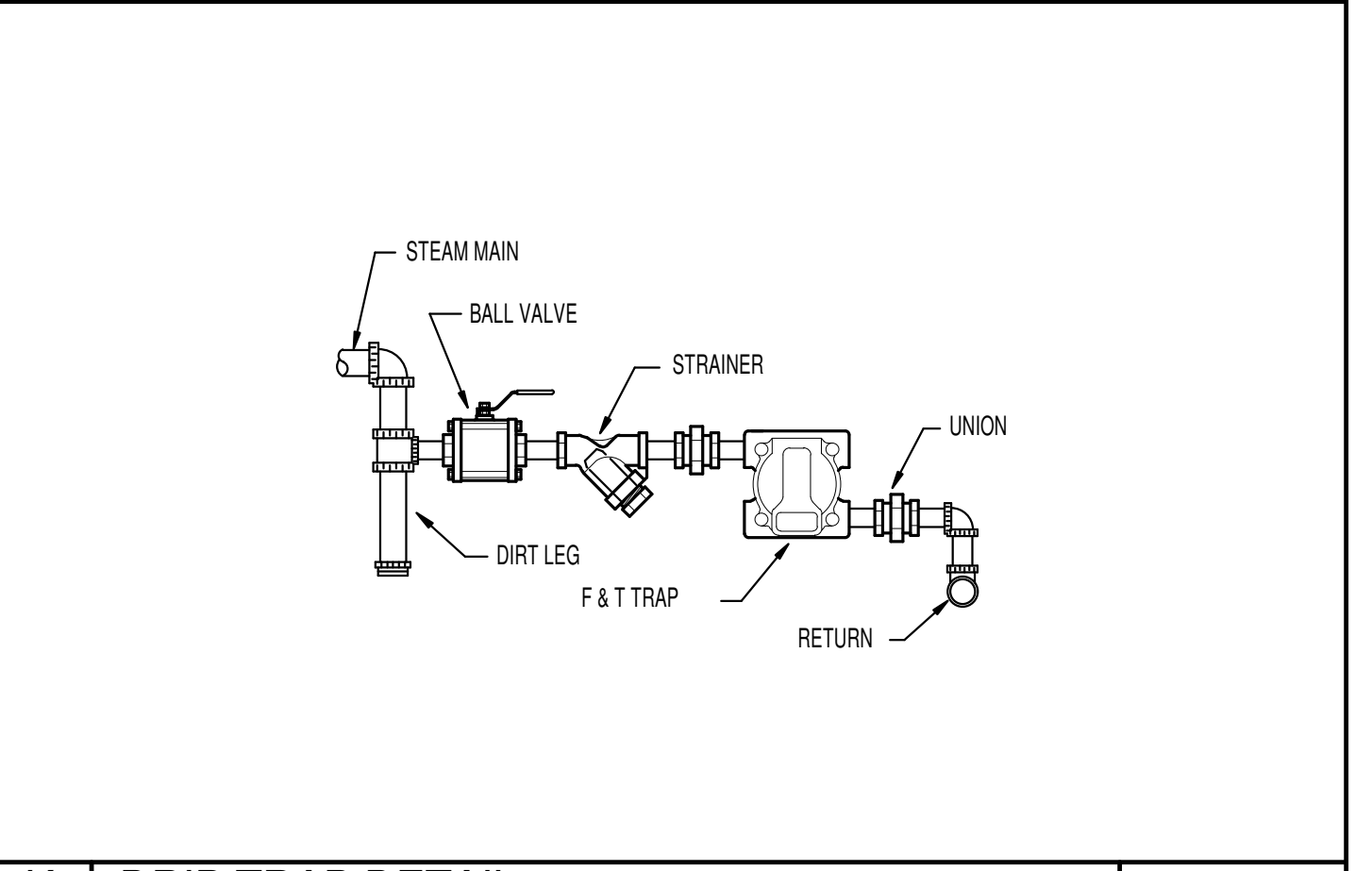
G | FLEXIBLE DUCT SUPPORT DETAIL NO SCALE



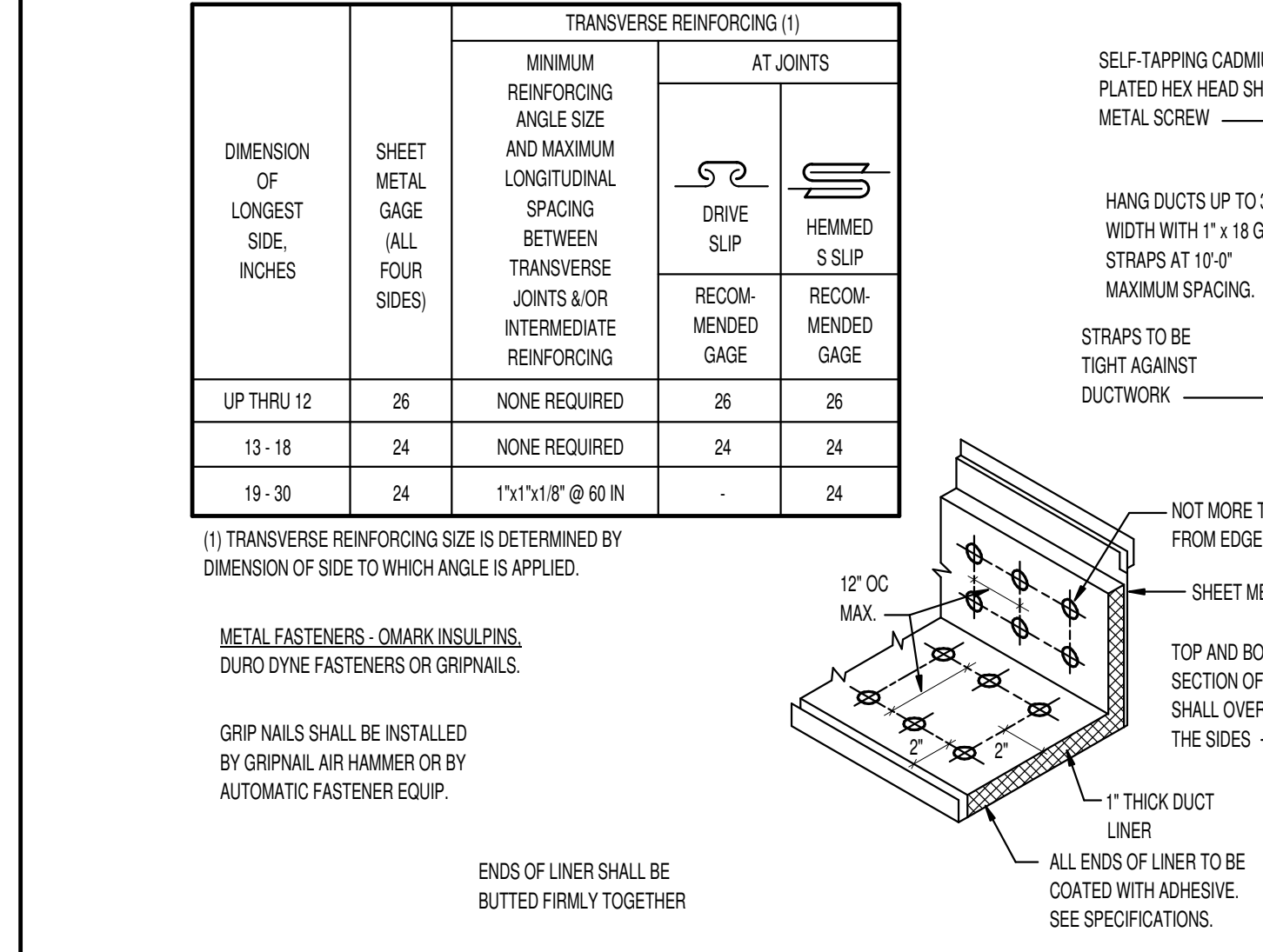
H | VENT THRU ROOF DETAIL NO SCALE



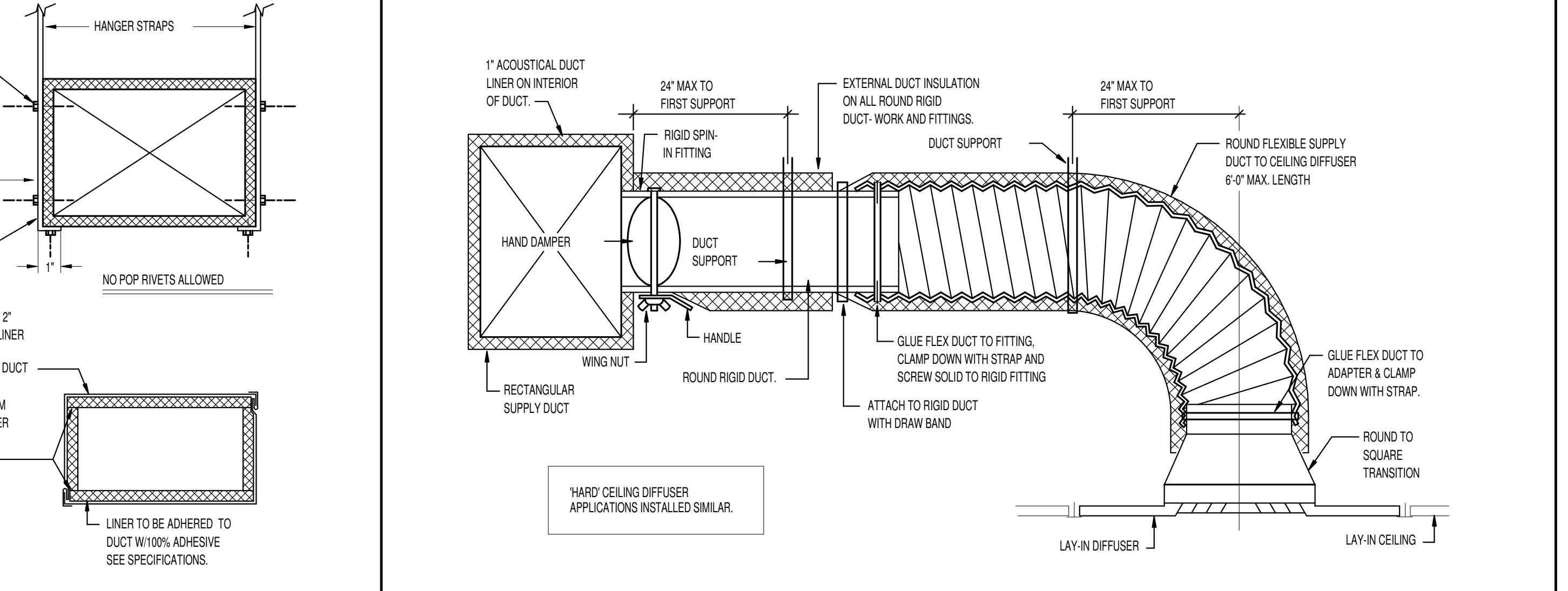
J | STEAM UNIT HEATER PIPING DETAIL NO SCALE



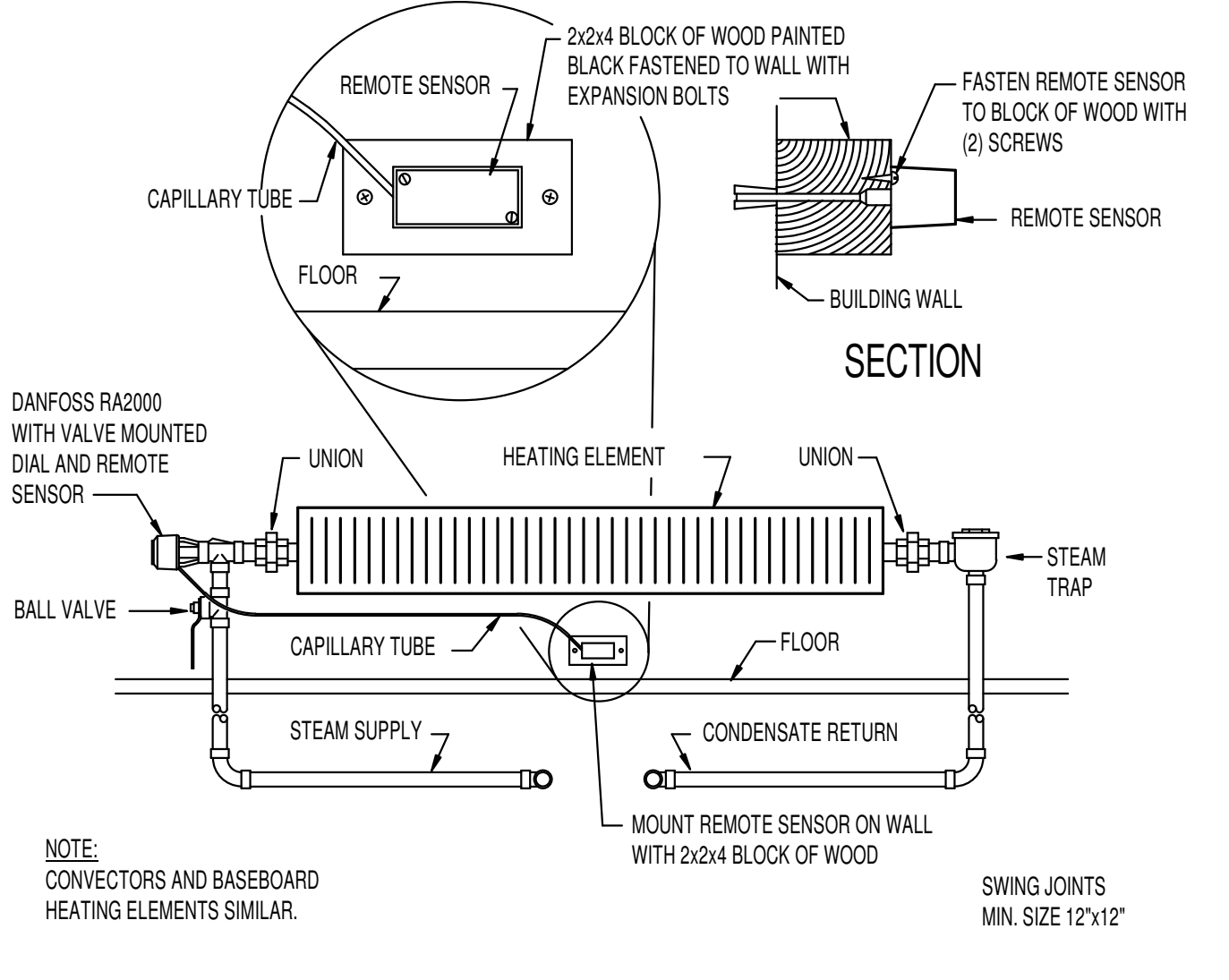
K | DRIP TRAP DETAIL NO SCALE



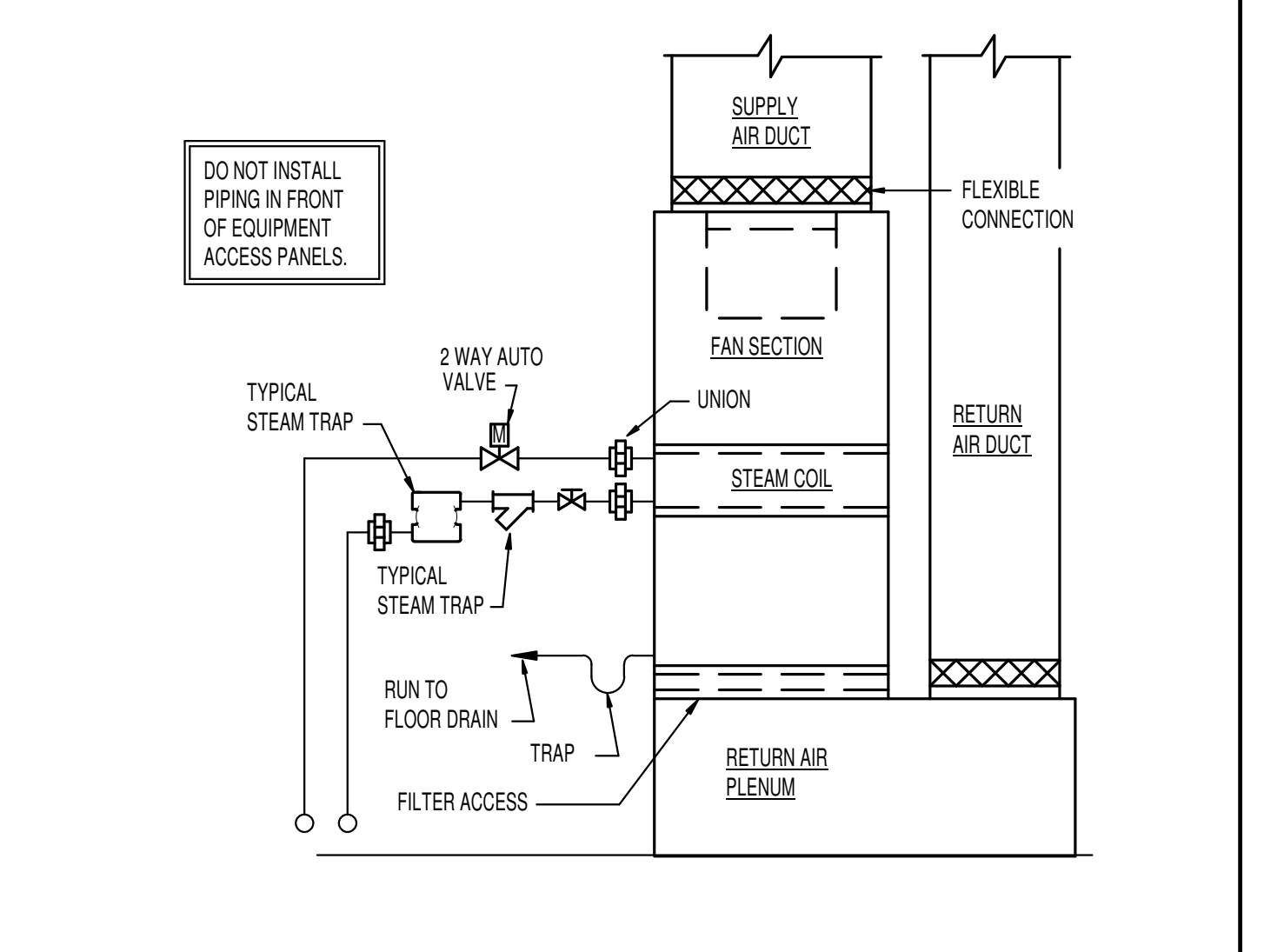
L | DUCT CONSTRUCTION AND HANGER DETAIL NO SCALE



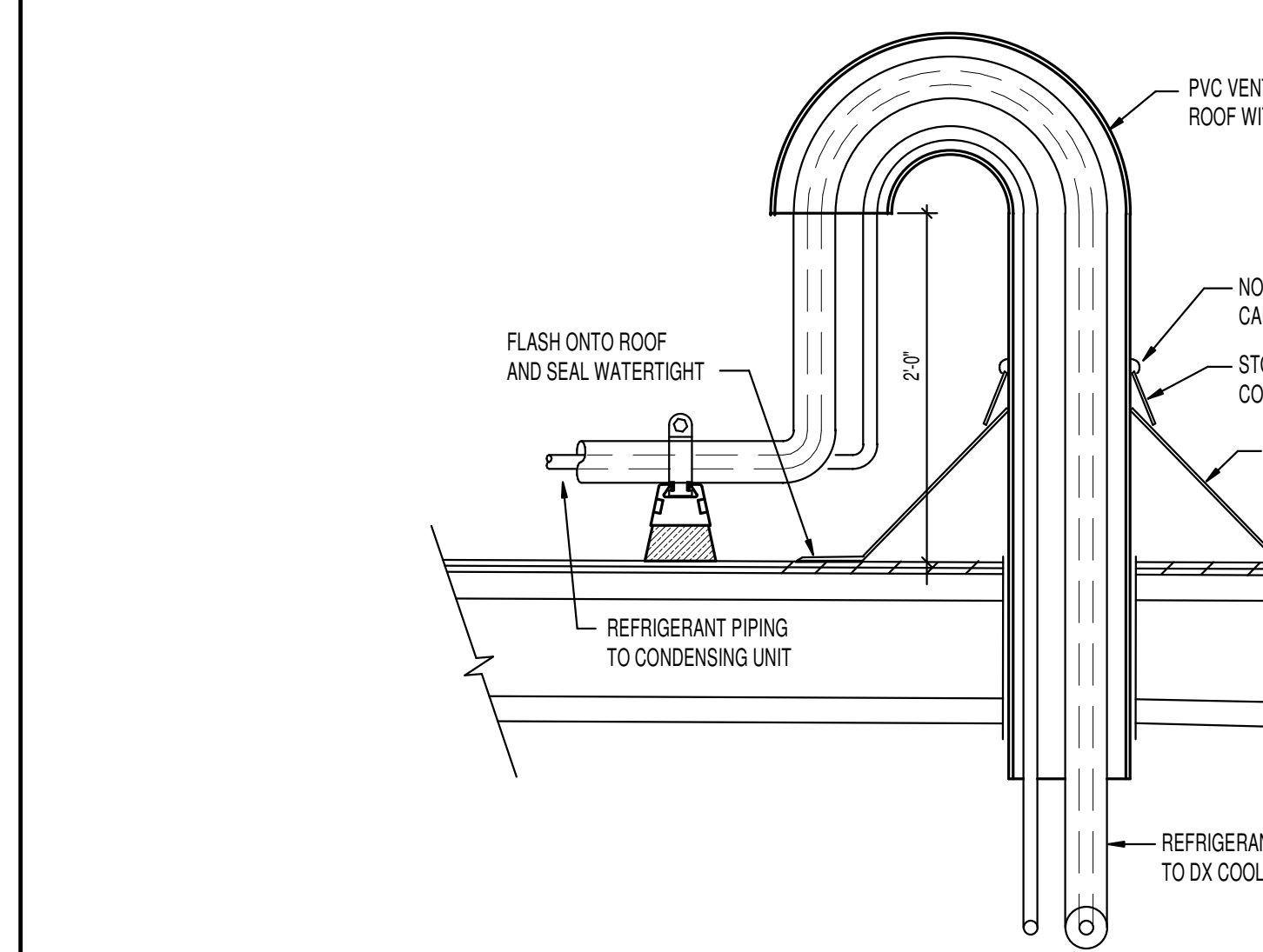
M | CEILING DIFFUSER WITH FLEXIBLE DUCT DETAIL NO SCALE



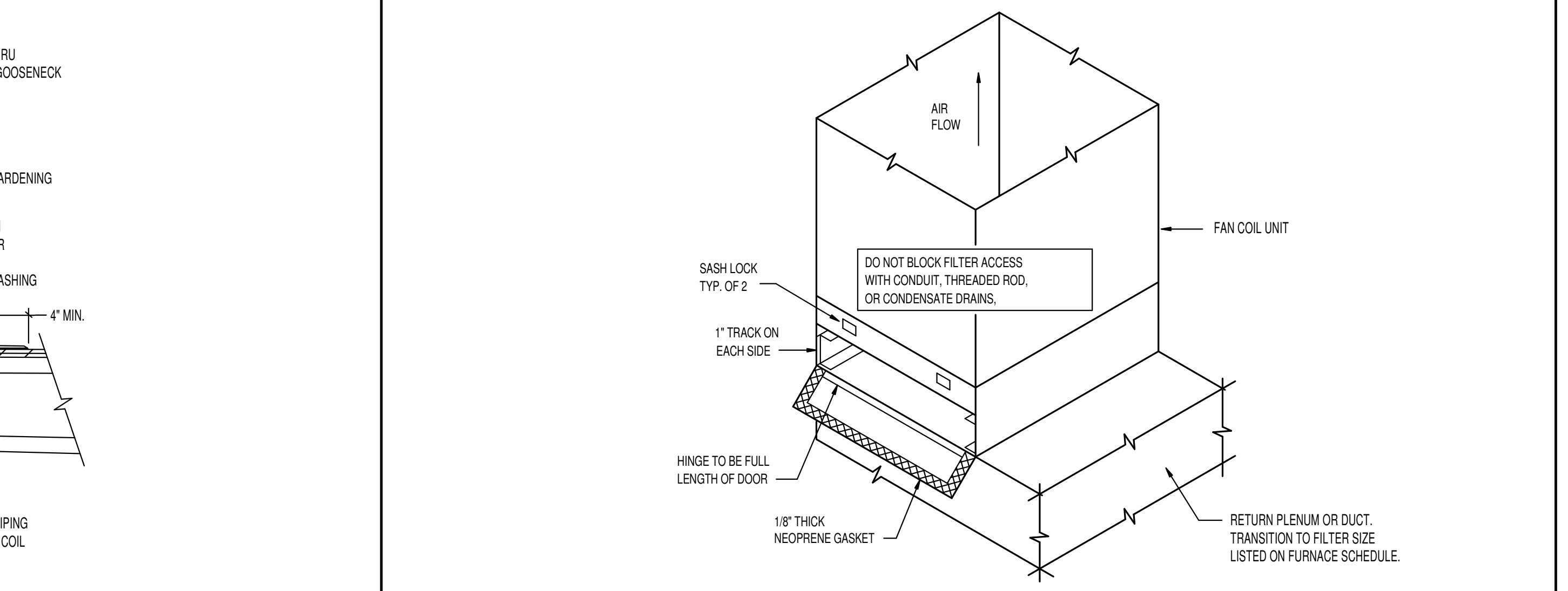
N | DANFOSS OPERATING VALVE DETAIL NO SCALE



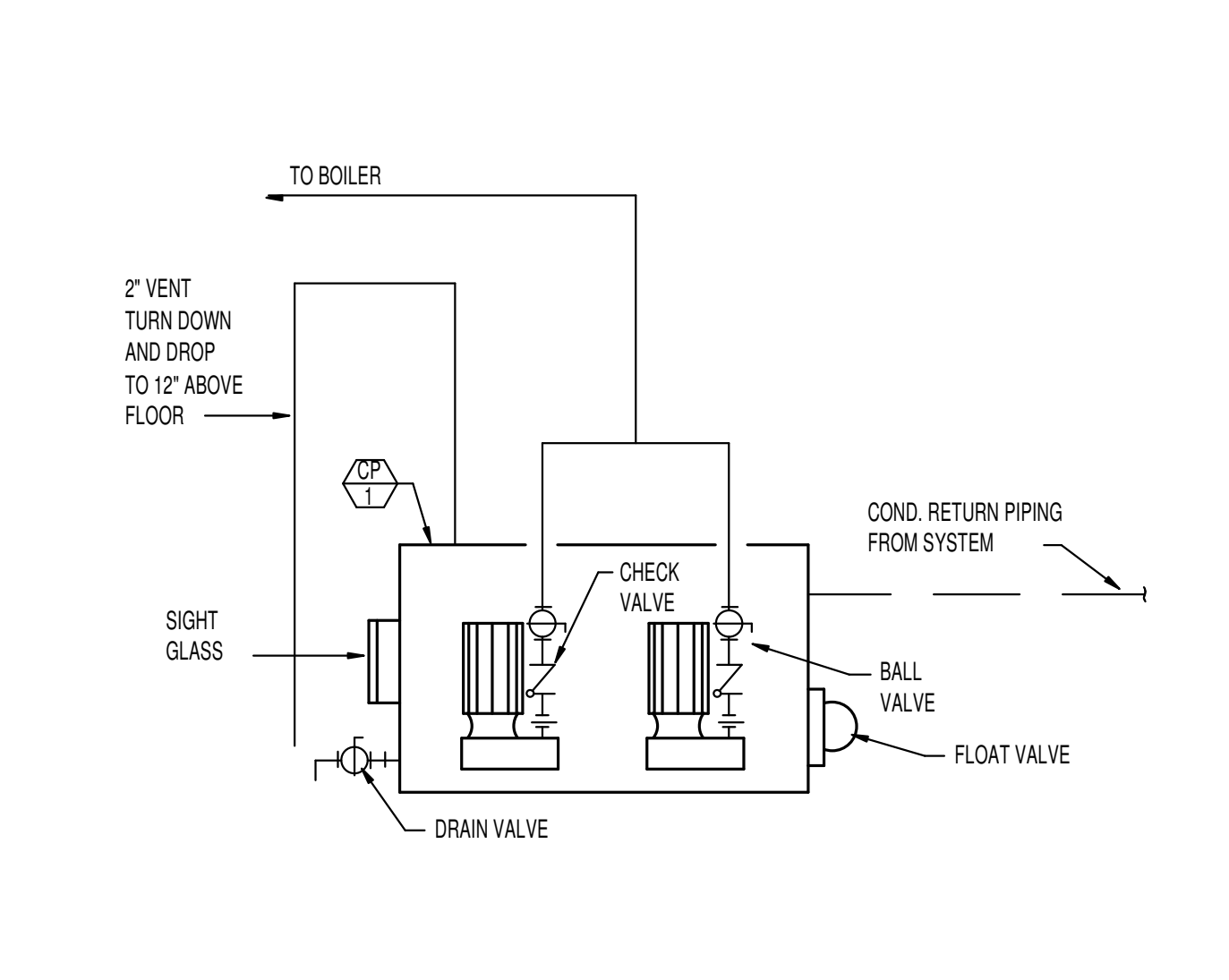
O | FAN COIL PIPING DETAIL NO SCALE



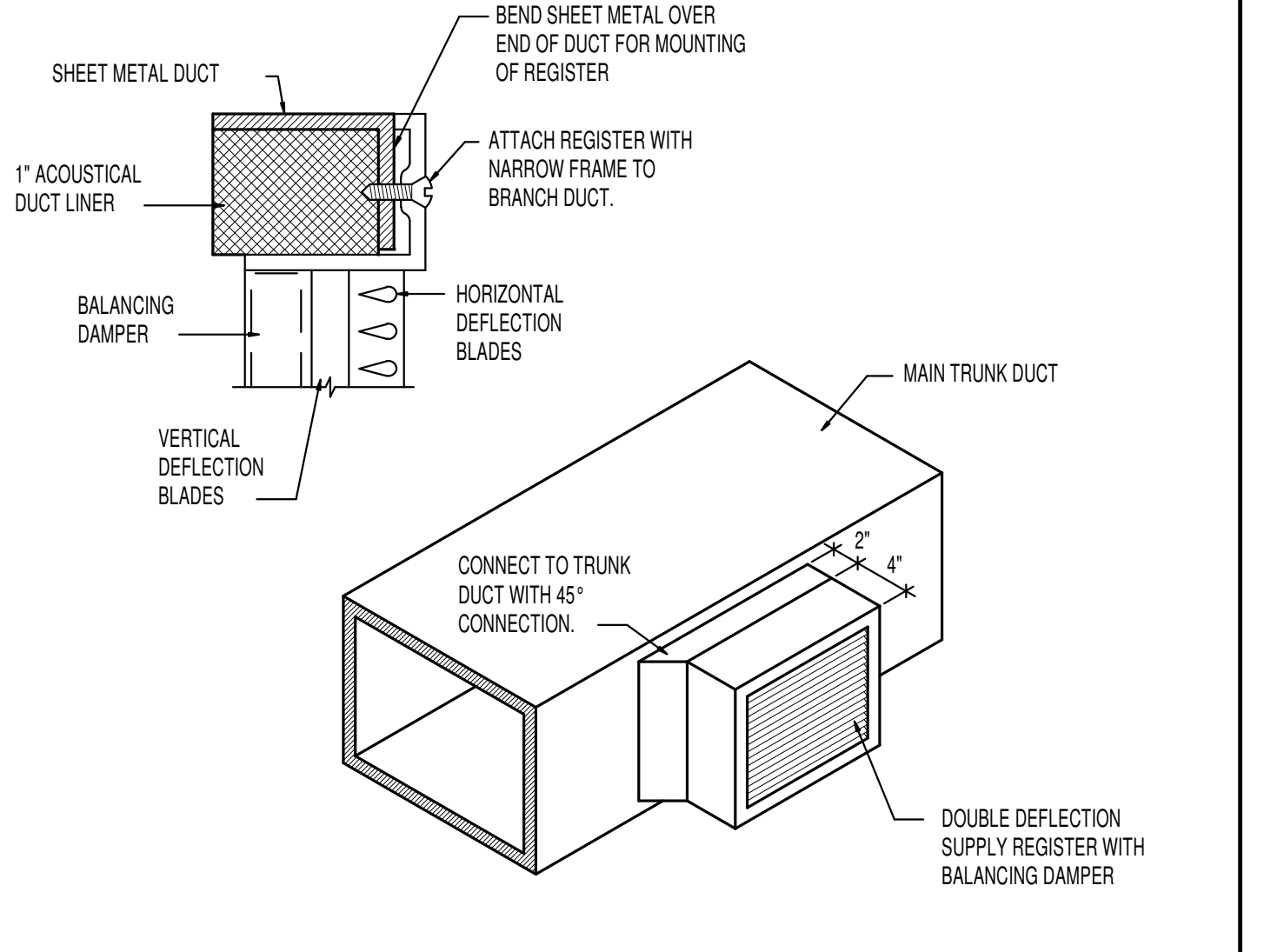
P | REFRIGERANT PIPING THRU ROOF DETAIL NO SCALE



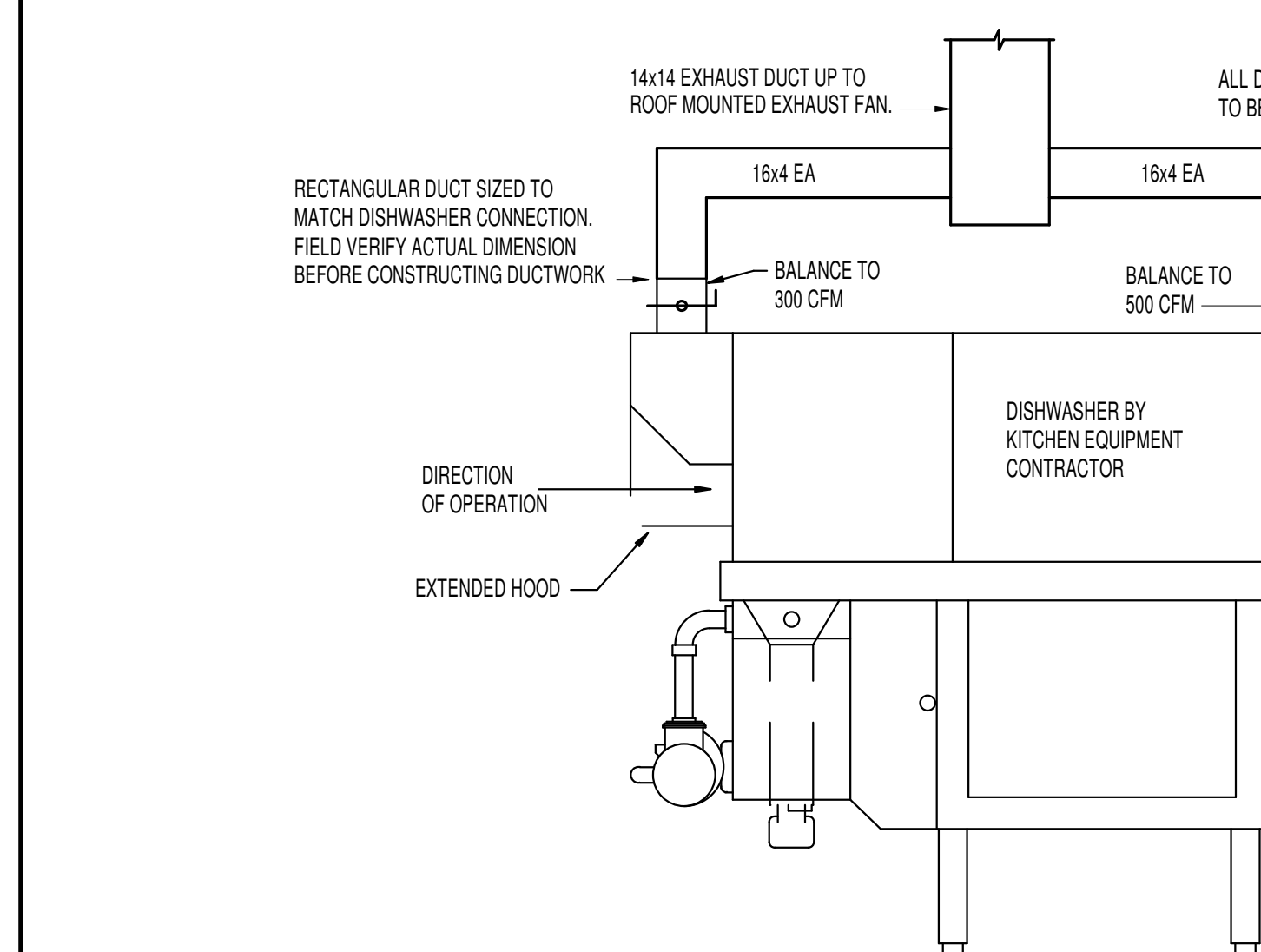
Q | EXTERNAL FILTER SECTION DETAIL NO SCALE



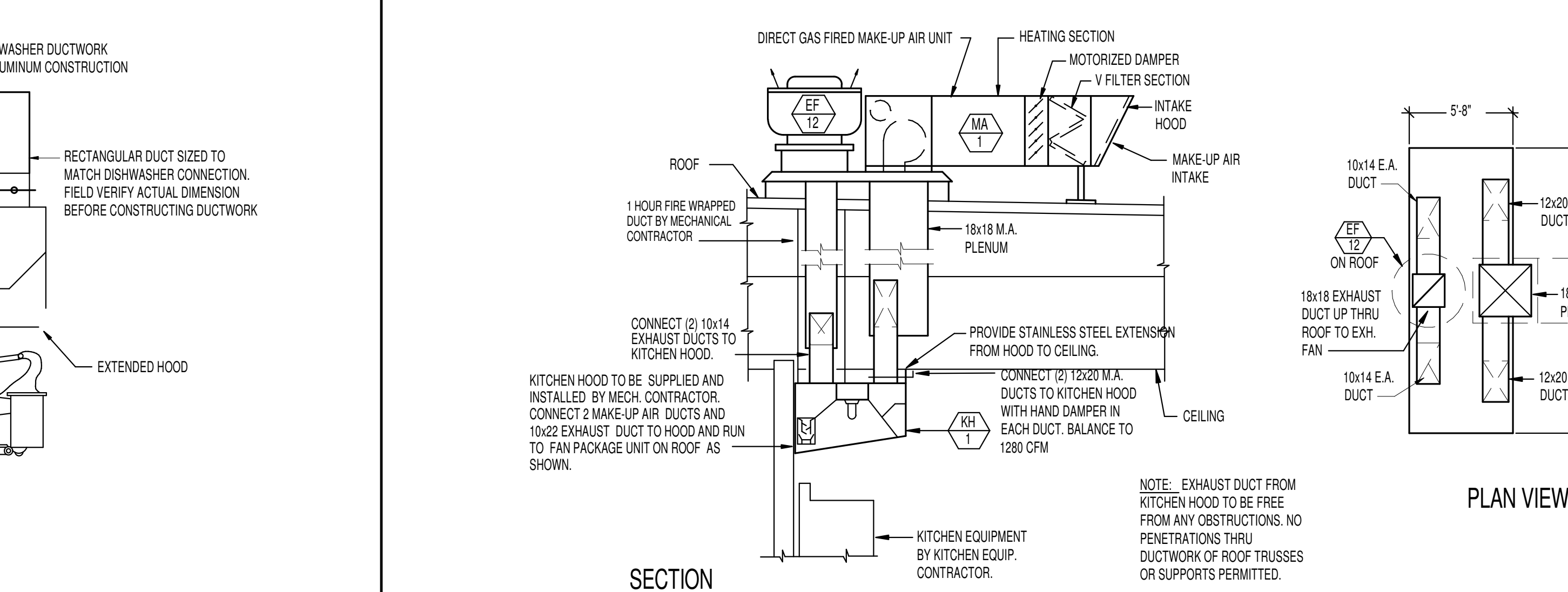
R | CONDENSATE PUMP PIPING DIAGRAM NO SCALE



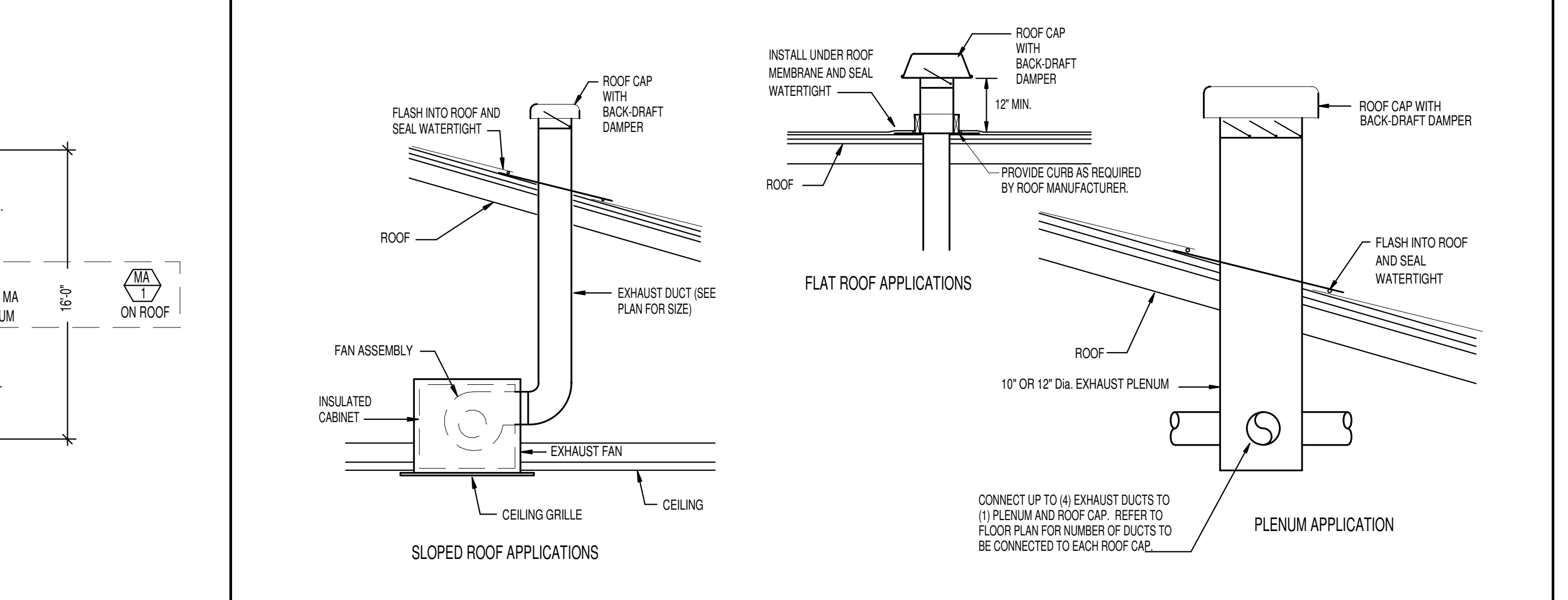
S | SIDEWALL REGISTER DETAIL NO SCALE



T | DISHWASHER EXHAUST DUCT CONNECTION DETAIL NO SCALE



U | KITCHEN HOOD INSTALLATION DETAIL NO SCALE



V | CEILING EXHAUST FAN INSTALLATION WITH ROOF CAP NO SCALE

