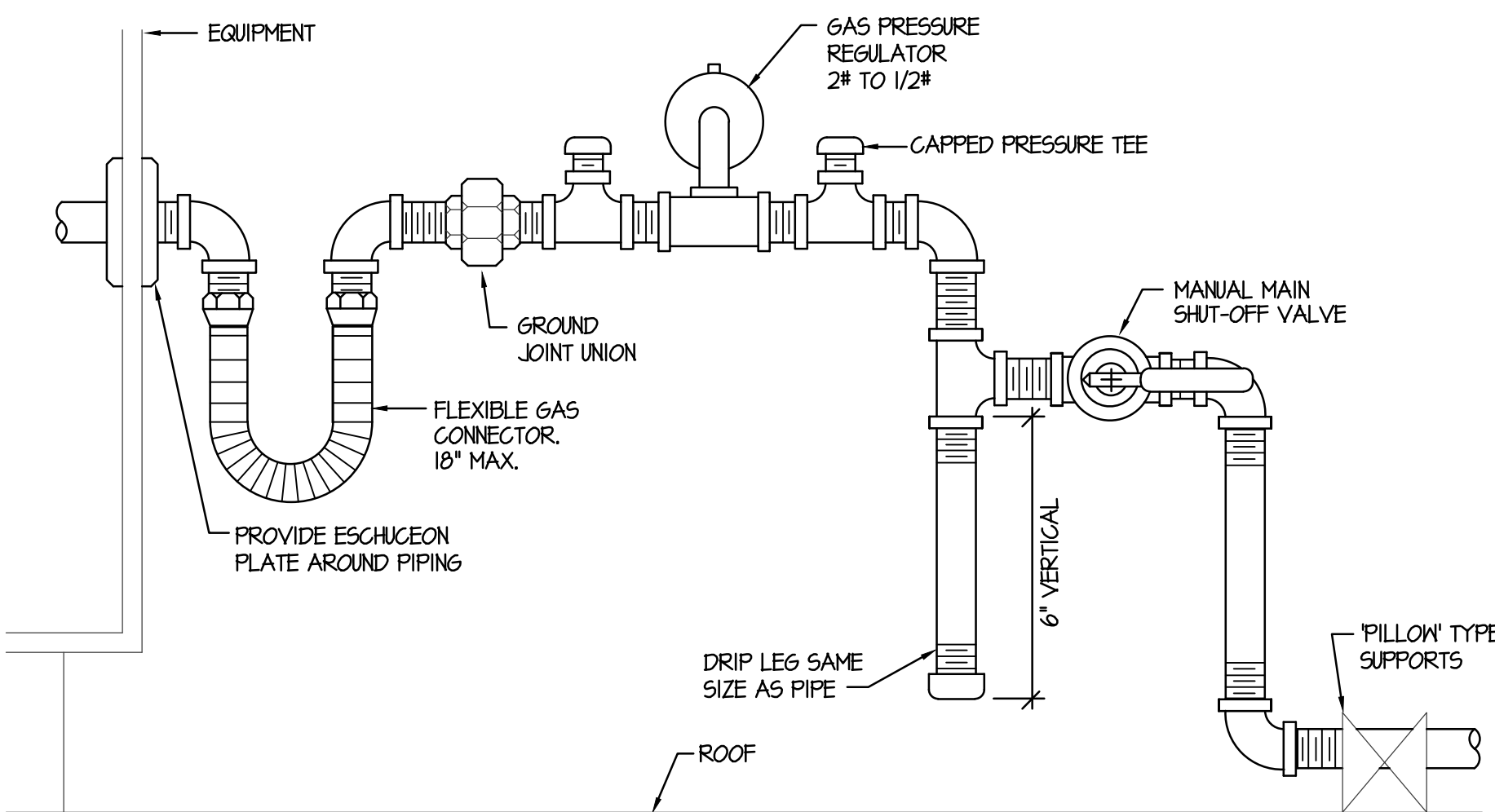


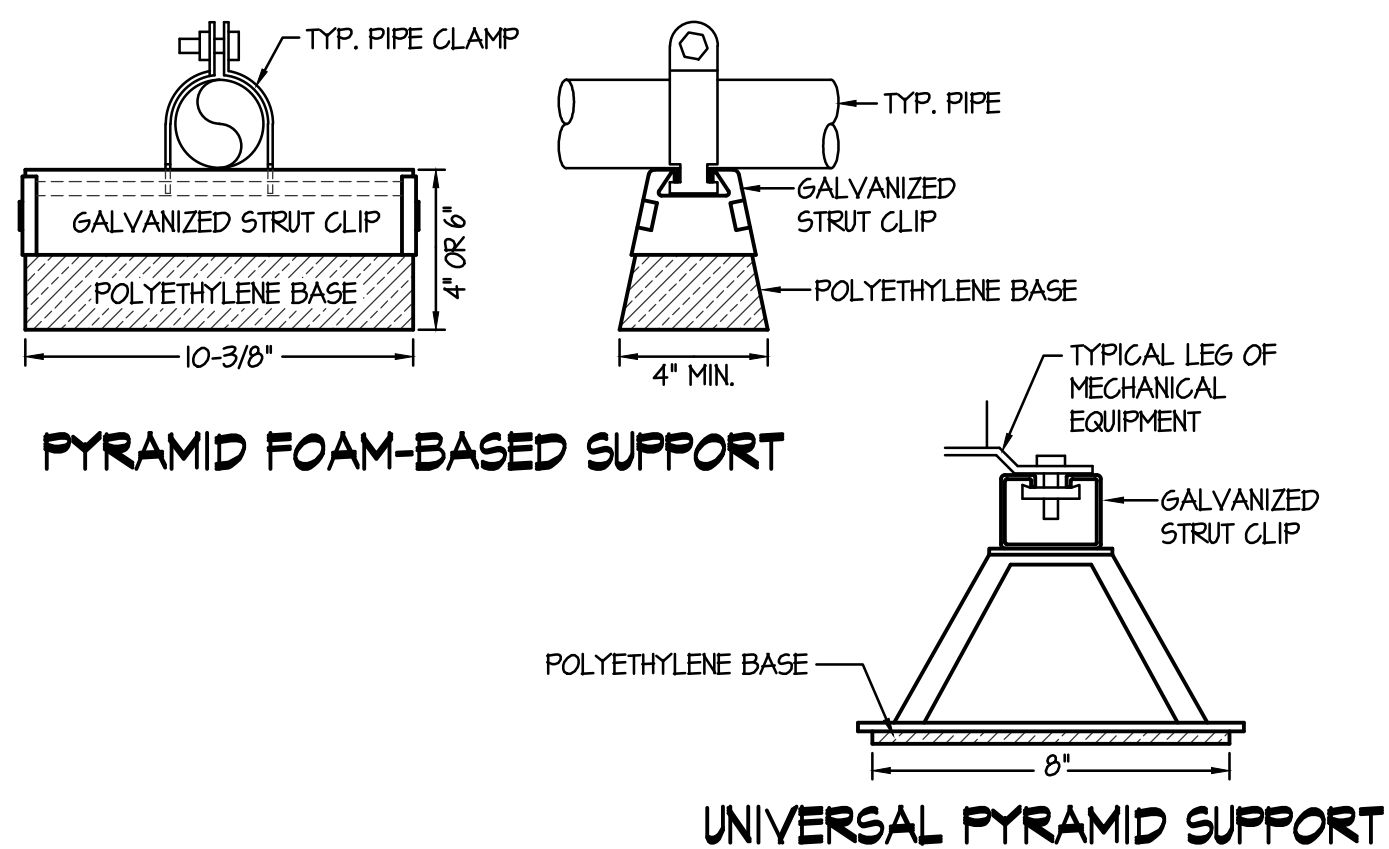
A CEILING DIFFUSER DETAIL

NO SCALE



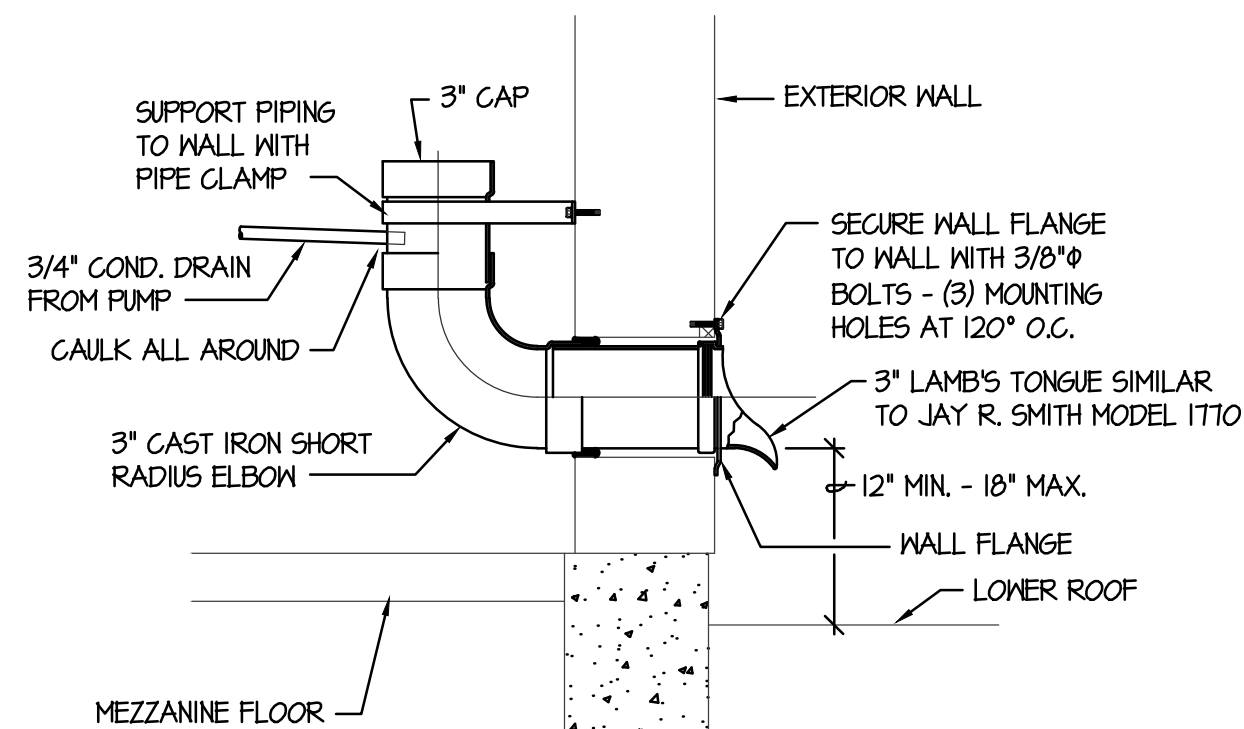
B EXTERIOR GAS LINE CONNECTION DETAIL

NO SCALE



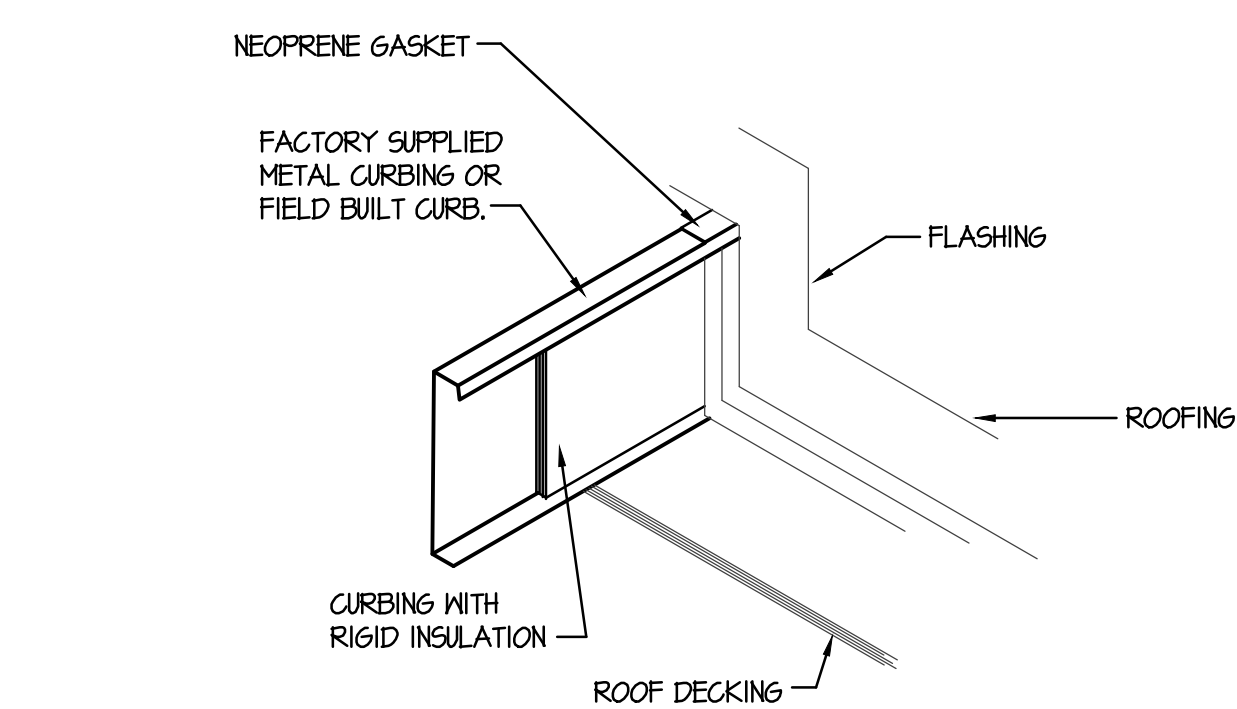
C PYRAMID SUPPORT DETAILS

NO SCALE



D CONDENSATE DRAIN LINE DETAIL

NO SCALE



E ROOF CURB DETAIL

NO SCALE

F NOT USED

NO SCALE

FIXTURE SCHEDULE

SYM.	DESCRIPTION	HOT	COLD	WASTE	VENT
CP-1	CONDENSATE PUMP - LITTLE GIANT MODEL VCL-14ULS WITH RECEIVING TANK, 6'-0" POWER CORD, THERMAL OVERLOAD PROTECTION, 5 GPM FLOW AT 3' HEAD.	---	---	3/4"	---
DF-1	BI-LEVEL DRINKING FOUNTAIN - ELKAY EZSTLBC WITH FRONT AND SIDE EASY TOUCH CONTROLS, FLEXI-GAURD BUBBLES, 1/2" STOP VALVE AND 1-1/2" P-TRAP. (120/60/1)	---	1/2"	1-1/2"	1-1/2"
OD-1	3" OVER FLOW DRAIN - JAY R SMITH MODEL 1080 WITH DOME STRAINER, 3" PIPE CONNECTION, UNDERDECK CLAMP, AND 2" HIGH WATER DAM.	---	---	3"	---
OD-2	4" OVER FLOW DRAIN - JAY R SMITH MODEL 1080 WITH DOME STRAINER, 4" PIPE CONNECTION, UNDERDECK CLAMP, AND 2" HIGH WATER DAM.	---	---	4"	---
RD-1	3" ROOF DRAIN - JAY R SMITH MODEL 1010 WITH DOME STRAINER, 3" PIPE CONNECTION AND UNDERDECK CLAMP.	---	---	3"	---
RD-2	4" ROOF - JAY R SMITH MODEL 1010 WITH DOME STRAINER, 4" PIPE CONNECTION AND UNDERDECK CLAMP.	---	---	4"	---
WF-1	3" WALL FLANGE - JAY R SMITH MODEL 1T10 WITH NICKEL-BRONZE FINISH AND WALL ANCHOR FLANGE	---	---	3"	---
WF-2	4" WALL FLANGE - JAY R SMITH MODEL 1T10 WITH NICKEL-BRONZE FINISH AND WALL ANCHOR FLANGE	---	---	4"	---
WF-3	6" WALL FLANGE - JAY R SMITH MODEL 1T10 WITH NICKEL-BRONZE FINISH AND WALL ANCHOR FLANGE	---	---	6"	---

AIR HANDLER SCHEDULE

SYM.	TYPE	FAN				DX COOLING COIL			PIPING SIZES			REMARKS
		CFM	SPE	H.P.	CHAR	MEH	EAT	LAT	LIQ	SUCT	CD	
AH-1	VERTICAL	10,000	1.0"	10	208/60/3	300	75°F	55°F	1-5/8"	2-1/8"	3/4"	TRANE CLIMATE CHANGER, SIZE 21 WITH MATCHING DX COIL AND ANGLED FILTER MIXING BOX

CONDENSING UNIT SCHEDULE

SYM.	BTU	EAT	CHAR.	MCA	EER	WEIGHT	REFRIGERANT LIQUID	PIPING SUCTION	REMARKS
CU-1	300,000	95°F	208/60/3	119	12.1	1800#	1-5/8"	2-1/8"	TRANE RAUC2 25 TON UNIT WITH LOW AMBIENT HARD-START KIT. MOUNT ON ROOF CURB.

DUCT FURNACE SCHEDULE

SYM.	TYPE	CFM	SP	H.P.	CHAR.	A.G.A.		EAT	T.R.	SUP	VENT	GAS TYPE	REMARKS
						IN/UT	OUT/UT						
DF-1	SEPARATED COMBUSTION	10,000	50"	---	120/60/1	400,000	320,000	65°F	25°F	3/4"	(2) 6"	NAT.	REZNR MODEL 5C-400
DF-2	SEPARATED COMBUSTION	10,000	50"	---	120/60/1	400,000	320,000	65°F	25°F	3/4"	(2) 6"	NAT.	REZNR MODEL 5C-400

ELECTRIC HEATER SCHEDULE

SYM.	TYPE	BTU	KW	CHAR.	CONTROL	REMARKS
EH-1	RECESSED WALL MOUNTED	10,236	3	208/60/1	INTEGRAL	QMARK MODEL ANH-4404F WITH ANH52 SEMI-RECESSED MOUNTING FRAME
EH-2	RECESSED WALL MOUNTED	10,236	3	208/60/1	INTEGRAL	QMARK MODEL ANH-4404F WITH ANH52 SEMI-RECESSED MOUNTING FRAME
EH-3	RECESSED WALL MOUNTED	10,236	3	208/60/1	INTEGRAL	QMARK MODEL ANH-4404F WITH ANH52 SEMI-RECESSED MOUNTING FRAME
EH-4	RECESSED WALL MOUNTED	10,236	3	208/60/1	INTEGRAL	QMARK MODEL ANH-4404F WITH ANH52 SEMI-RECESSED MOUNTING FRAME
EH-5	RECESSED WALL MOUNTED	10,236	3	208/60/1	INTEGRAL	QMARK MODEL ANH-4404F WITH ANH52 SEMI-RECESSED MOUNTING FRAME

ROOF TOP HEATING & AIR CONDITIONING UNIT SCHEDULE

SYM.	CFM	SP	BLOWER H.P.	CHAR.	MCA	WEIGHT	GAS CONN.	HEATING			COOLING			REMARKS		
								MBH IN	MBH OUT	EAT	LAT	MBH	EAT		MB	
RT-1	1200	.75	1/4	208/60/3	39.2	800#	3/4"	80	65.6	65°F	106°F	36.0	75°F	67°F	12.0	TRANE YSC036ES COMPLETE WITH CONVENIENCE OUTLET. MOUNT ON ROOF CURB

GRILLE AND REGISTER SCHEDULE

SYM.	SIZE	CFM	CONSTR.	FINISH	BRANCH DUCT	F.D.	O.B.	REMARKS
GR-1	18 x 10	500-800	STEEL	WHITE	IN DUCT	NO	YES	PRICE MODEL 5DGE WITH EXTRACTION DAMPER.
GR-2	12 x 12	300	STEEL	WHITE	10"φ	NO	NO	PRICE 5MD IN 24x24 LAY-IN MODULE
RG-1	60 x 30	300-6000	STEEL	WHITE	60 x 30	NO	NO	PRICE 46 SERIES HEAVY-DUTY GYM GRILLE. MOUNT AT FLOOR OF MEZZANINE CORRIDOR.
RG-2	60 x 48	10,000	STEEL	WHITE	60 x 48	NO	NO	PRICE 46 SERIES HEAVY-DUTY GYM GRILLE. MOUNT AS HIGH AS POSSIBLE.
RG-3	20 x 20	1200	STEEL	WHITE	16"φ	NO	NO	PRICE 535 IN 24x24 LAY-IN MODULE
GR-2	60 x 48	10,000	ALUM.	ANODIZED	60 x 48	NO	NO	AMERICAN WARMING LE-31 WITH DRAINABLE BLADES AND BIRD (BUG) SCREEN.
PH-1	30x60x30.5H	10,000	ALUM.	ANODIZED	30 x 60	NO	NO	PENN-BARRY MODEL PH. MOUNT ON ROOF CURB.

ORIGINAL DRAWING SIGNED BY: DWAYNE G. SUDWEEKS
 DATE ORIGINAL SIGNED: Jan 30, 2019
 ORIGINAL ON FILE AT ENGINEERED SYSTEMS ASSOCIATES
 1355 EAST CENTER, POCATELLO, IDAHO 83201

Engineered Systems Associates
 1355 EAST CENTER
 POCATELLO, IDAHO 83201
 PHONE: (208) 233-0501
 FAX: (208) 233-0529
 EMAIL: eso@engsystems.com
 ESA JOB NUMBER: 17094

PROFESSIONAL ENGINEER REGISTERED
 5762
 STATE OF IDAHO DWAYNE G. SUDWEEKS

BRENT A. MCFARLAND AR-2561

STATE OF IDAHO

JRW & ASSOCIATES
 1152 BOND AVENUE - SUITE A REBERBURG, IDAHO 83440
 WWW.JRW.COM VOICE (208) 259-2309 FAX (208) 359-2271

CONSULTANTS:
 LANDSCAPE ARCHITECT
 DAVID A. WEAVER & ASSOC.
 1605 S. WOODRUFF AVE.
 IDAHO FALLS, IDAHO 83401
 (208) 227-8404
 Fax (208) 227-8405

STRUCTURAL ENGINEERING
 FROST STRUCTURAL ENGINEERING
 1020 LINCOLN ROAD
 IDAHO FALLS, IDAHO 83401
 (208) 227-8404
 Fax (208) 227-8405

MECHANICAL ENGINEERING
 ENGINEERED SYSTEMS ASSOC.
 1355 EAST CENTER
 POCATELLO, IDAHO 83201
 (208) 233-0501
 Fax (801) 233-0529

ELECTRICAL ENGINEERING
 PAXNE ENGINEERING INC.
 1823 E. CENTER ST.
 POCATELLO, IDAHO 83201
 (208) 232-4439
 Fax (208) 232-1435

PROJECT: MADISON SCHOOL DISTRICT #321
 LINCOLN ELEMENTARY GYM ADDITION
 REBERBURG, IDAHO

DRAWING TITLE: MECHANICAL SCHEDULES & DETAILS

REVISION:

#	DATE	COMMENT
---	------	---------

DRAWN BY: M. JENSEN
 JOB NO: 739

CHECKED BY: D. SUDWEEKS
 DATE: JAN. 2019

PLOT DATE: Jan 30, 2019

DRAWING NO. FILE: 17094-M1.3.dwg
 M1.3
 OF THREE