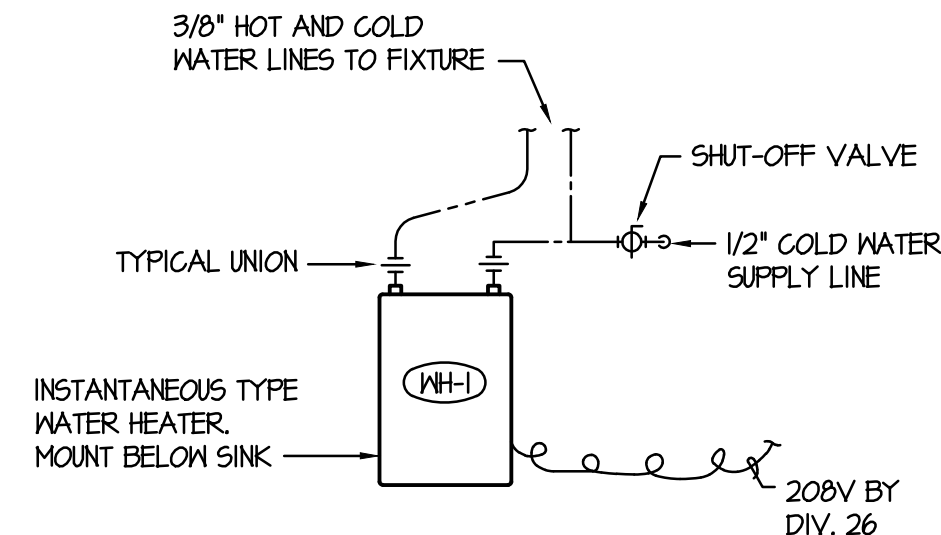


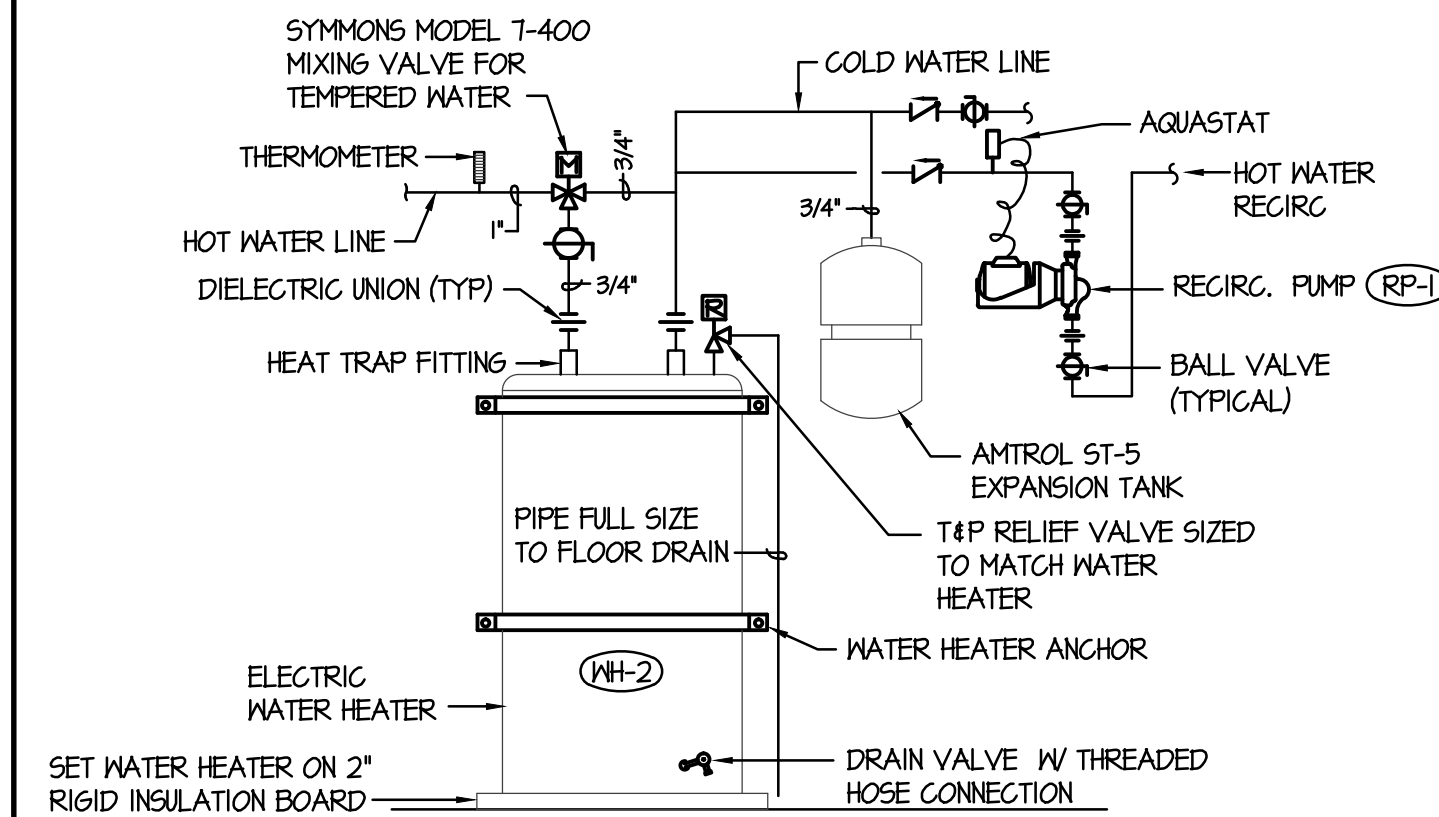
A GAS LINE CONNECTION

NO SCALE



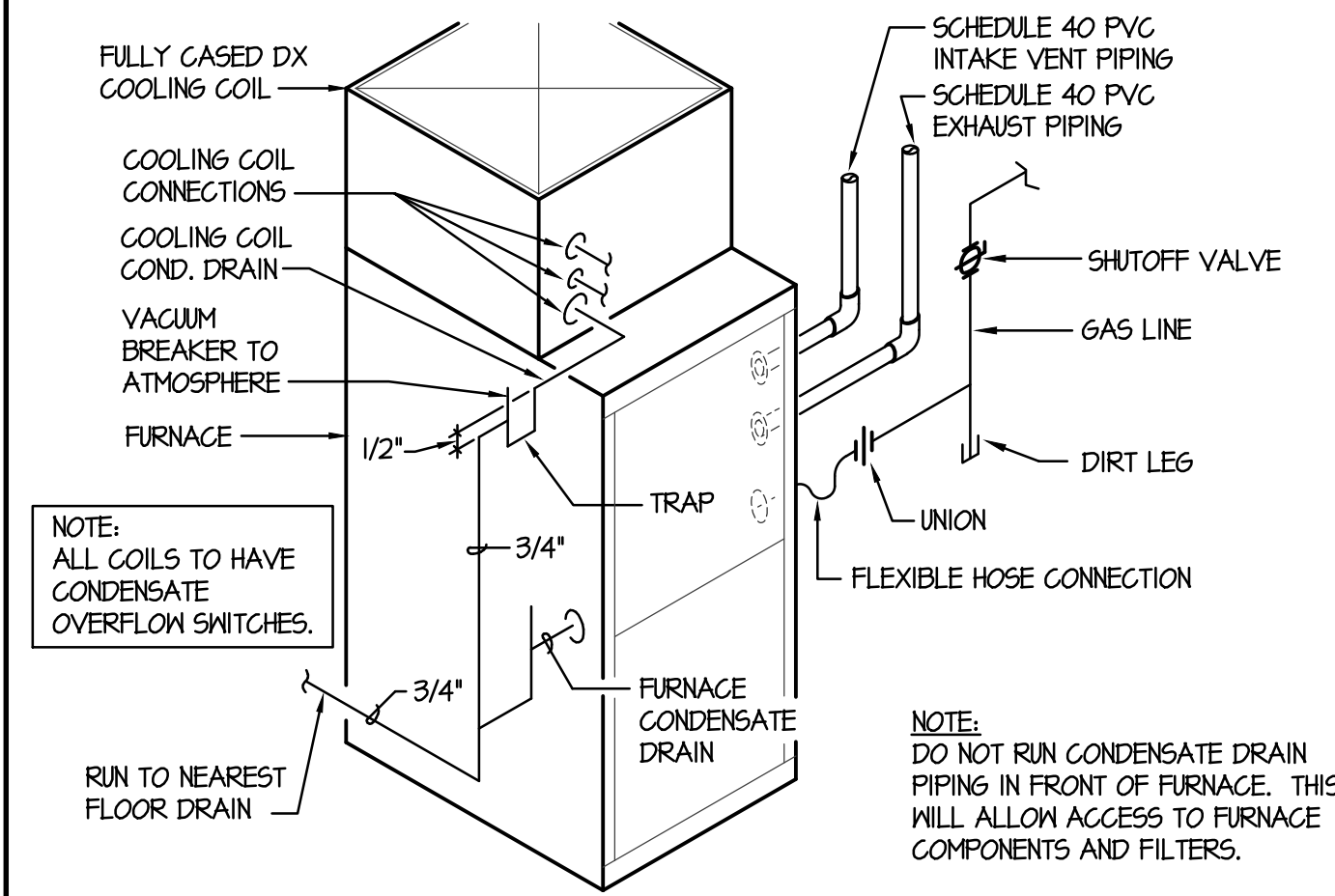
B TANKLESS WATER HEATER DETAIL

NO SCALE



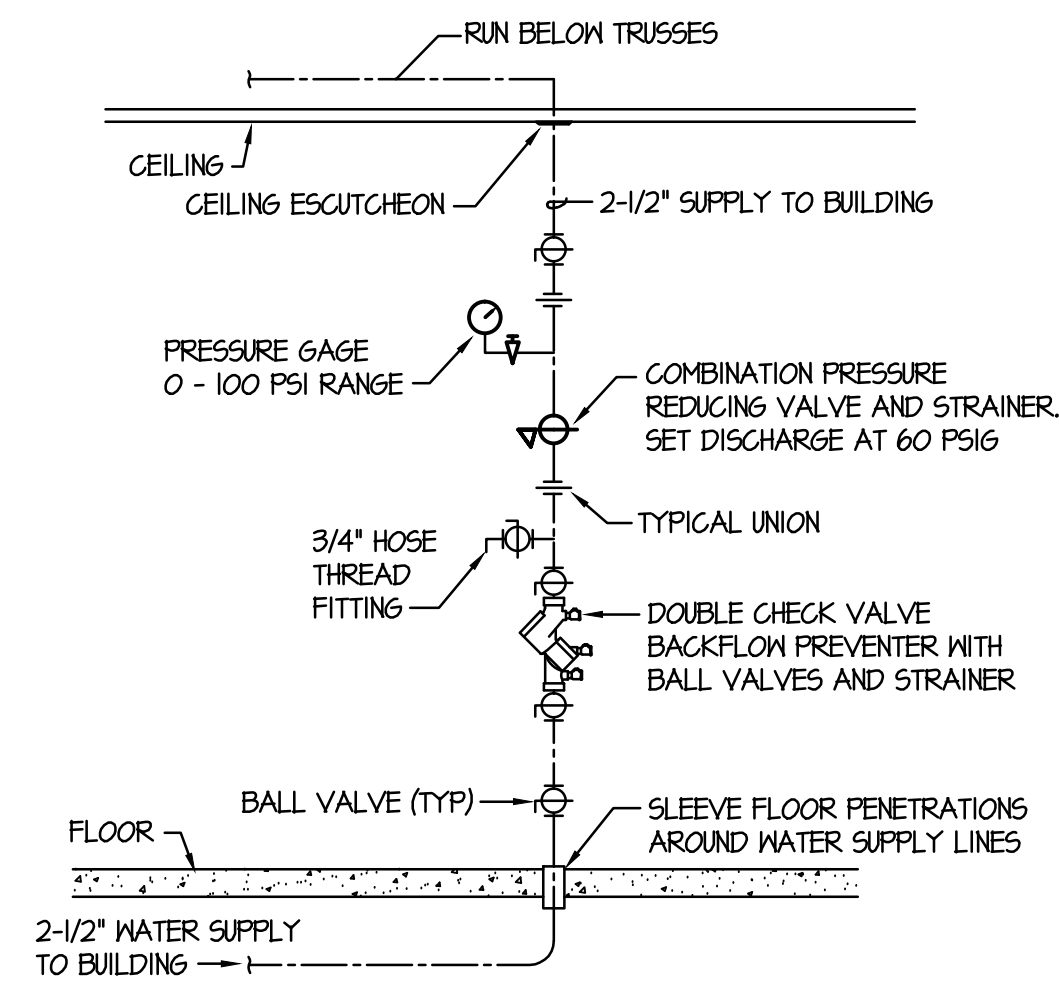
C ELECTRIC WATER HEATER DETAIL

NO SCALE



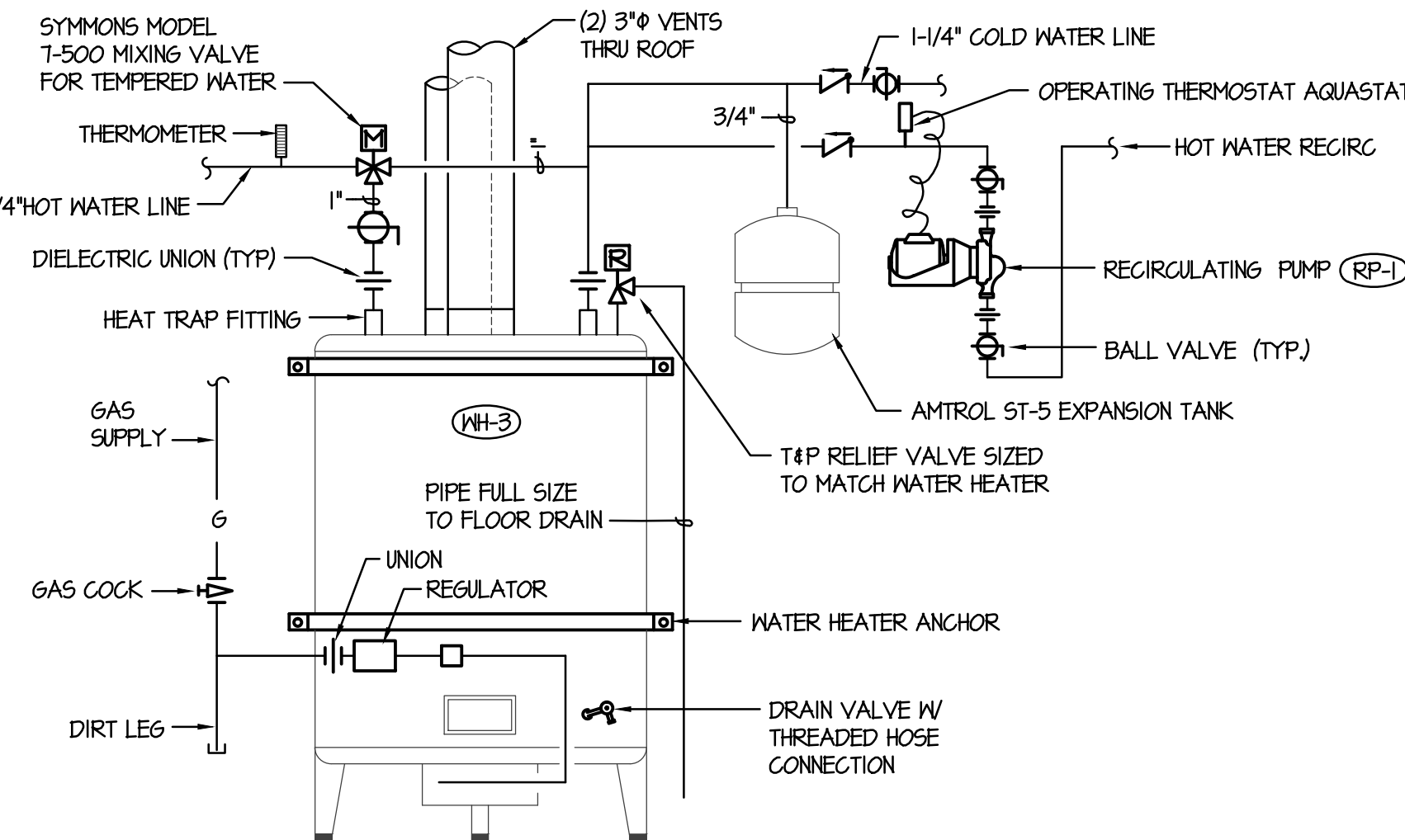
D CONDENSATE DRAIN PIPING DIAGRAM

NO SCALE



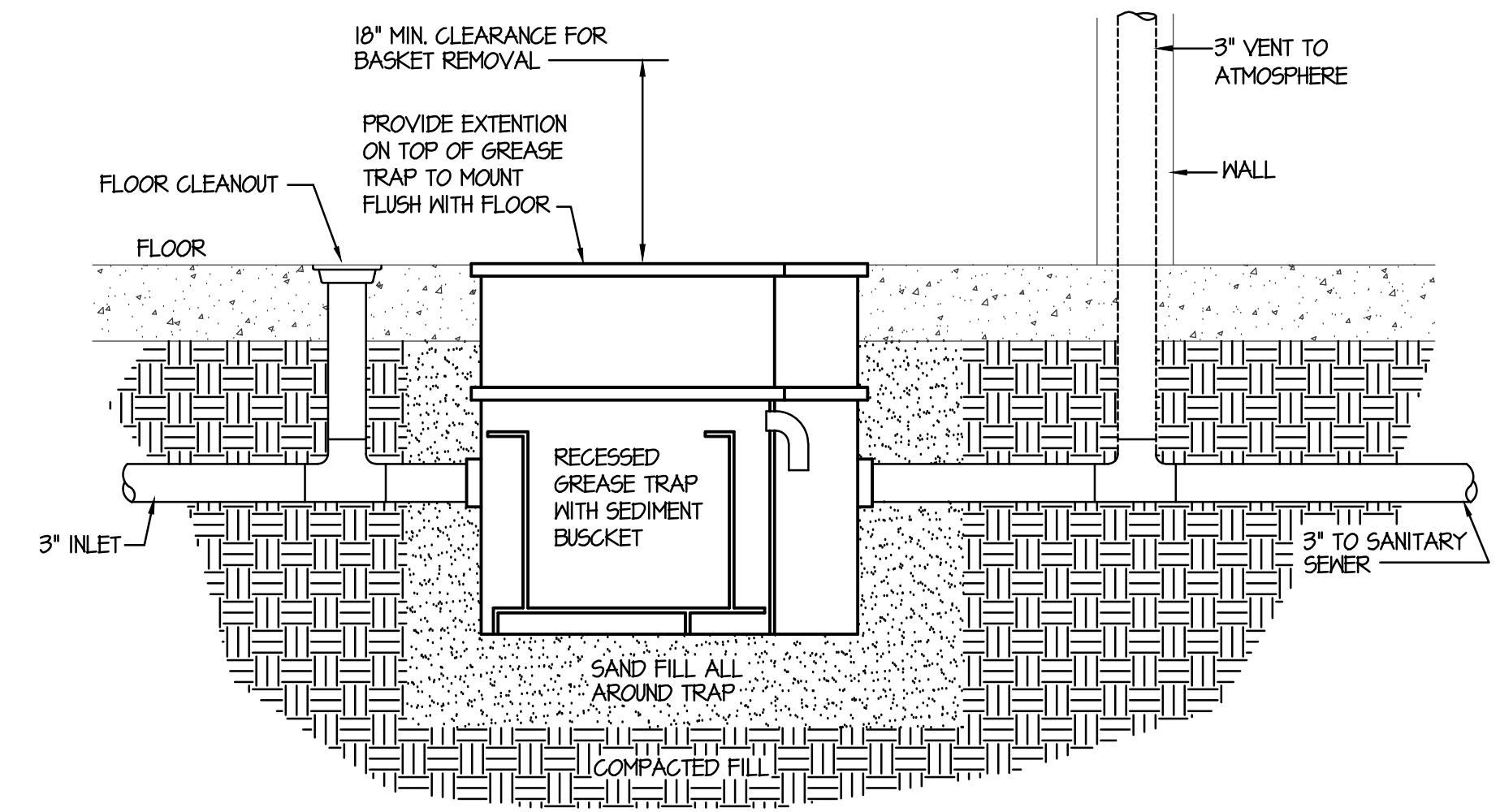
E VERTICAL WATER PRESSURE REDUCING STATION

NO SCALE



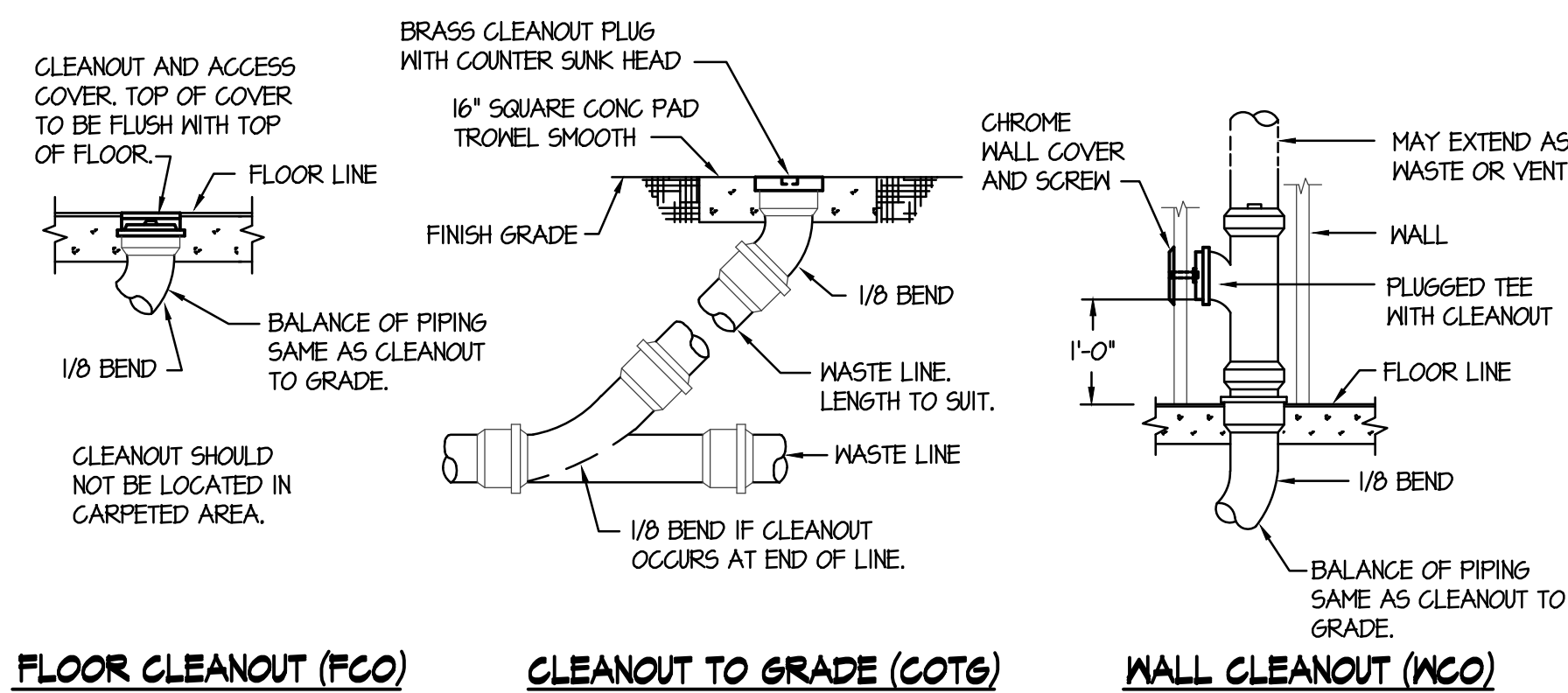
F GAS FIRED WATER HEATER PIPING DIAGRAM

NO SCALE



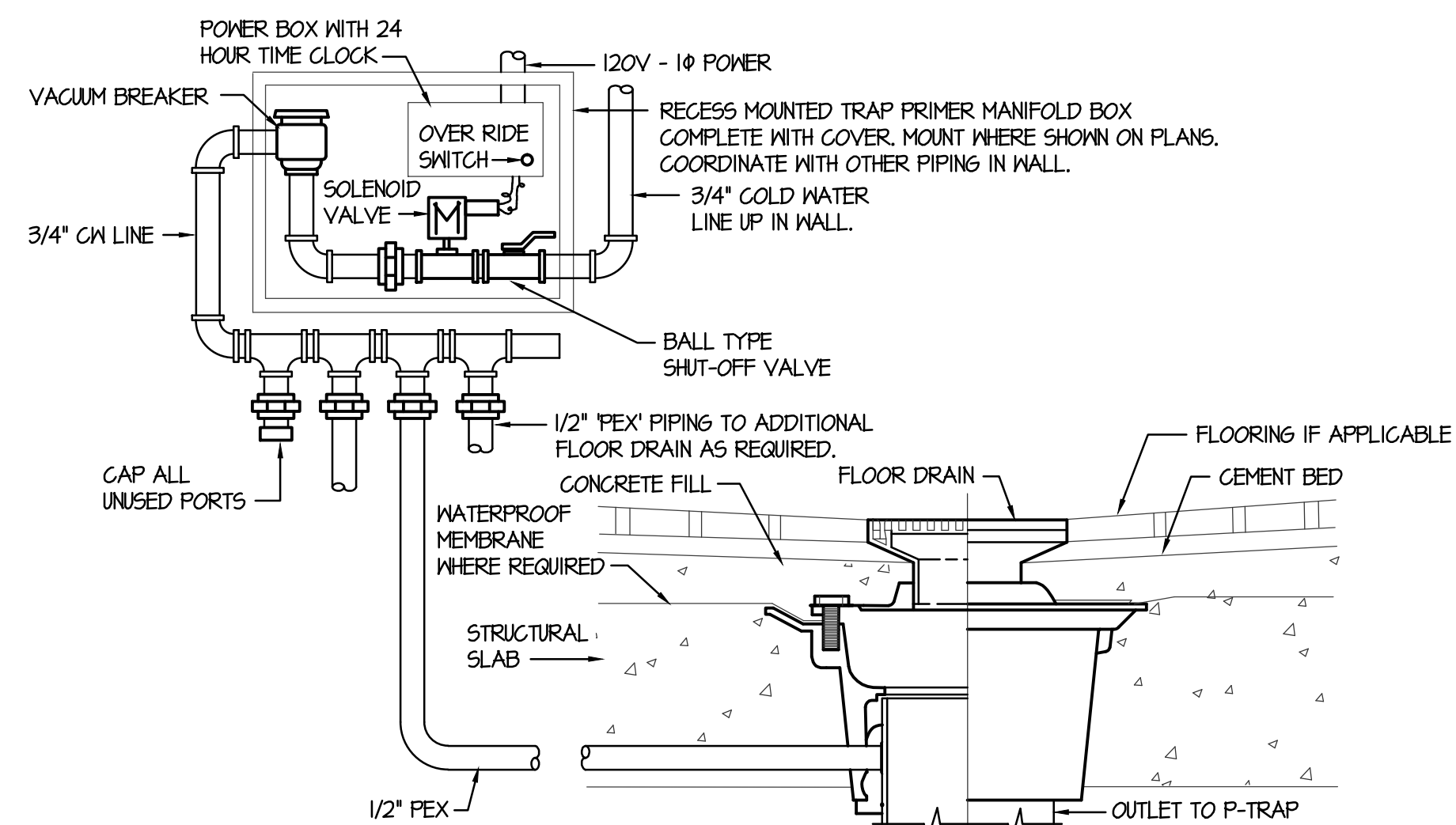
G RECESSED GREASE TRAP DETAIL

NO SCALE



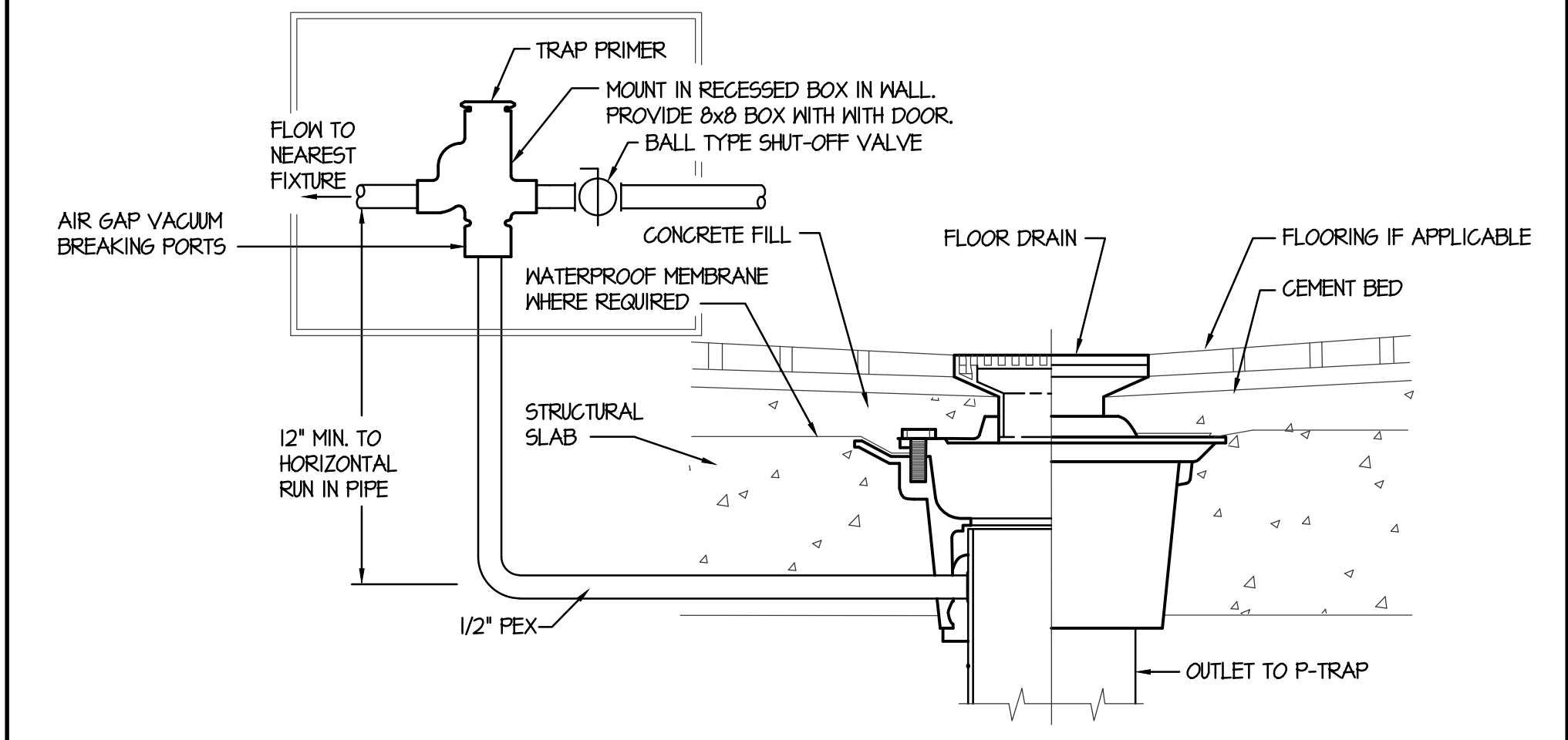
H WASTE LINE CLEAN OUT DETAILS

NO SCALE



J TRAP PRIMER DETAIL FOR MULTIPLE DRAINS

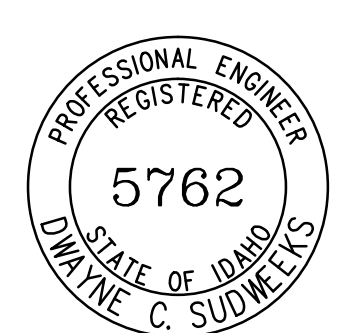
NO SCALE



K TRAP PRIMER DETAIL FOR SINGLE DRAINS

NO SCALE

ORIGINAL DRAWING SIGNED BY: DWAYNE C. SIDNEERS
 DATE ORIGINAL SIGNED: March 20, 2019
 ORIGINAL ON FILE AT ENGINEERED SYSTEMS ASSOCIATES
 1955 EAST CENTER, POCATELLO, IDAHO 83201



Engineered Systems Associates
 1355 EAST CENTER
 POCATELLO, IDAHO 83201
 PHONE: (208) 233-0501
 FAX: (208) 233-0529
 EMAIL: esa@engsystems.com
 ESA JOB NUMBER: 17078

CONTRACTOR

project for:
Grace School District #148
New Elementary School
 Fourth West Street
 Grace, Idaho

340 East Clark Street, Suite A
 Pocatello, Idaho 83201
 Phone (208) 233-4548
 Fax (208) 233-0263
 email ted@bootharchitecture.com

BOOTH
 Architecture PLLC

Plumbing
 Details and
 Diagrams

Date 3/22/19

Sheet No. P3.1