

A FLEXIBLE DUCT SUPPORT DETAIL

NO SCALE

B RELIEF AIR LOUVER DETAIL

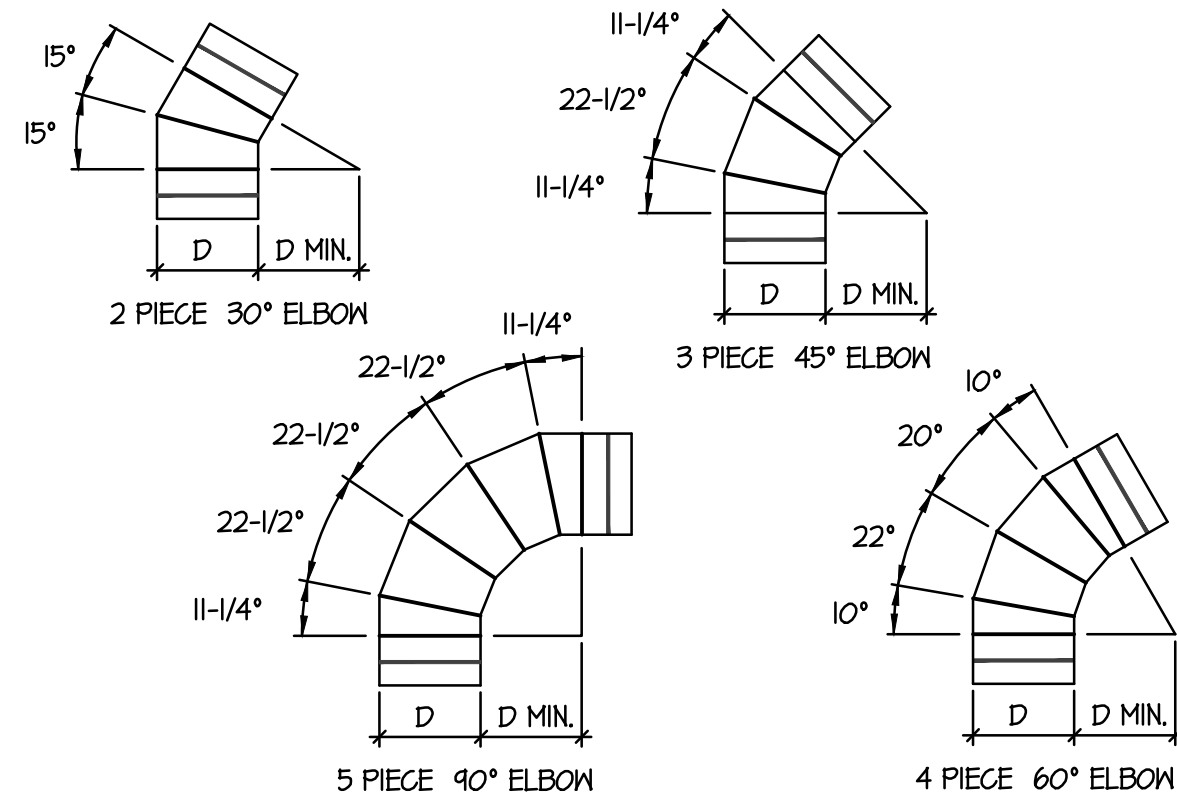
NO SCALE

C EXHAUST FAN WITH WALL CAP DETAIL

NO SCALE

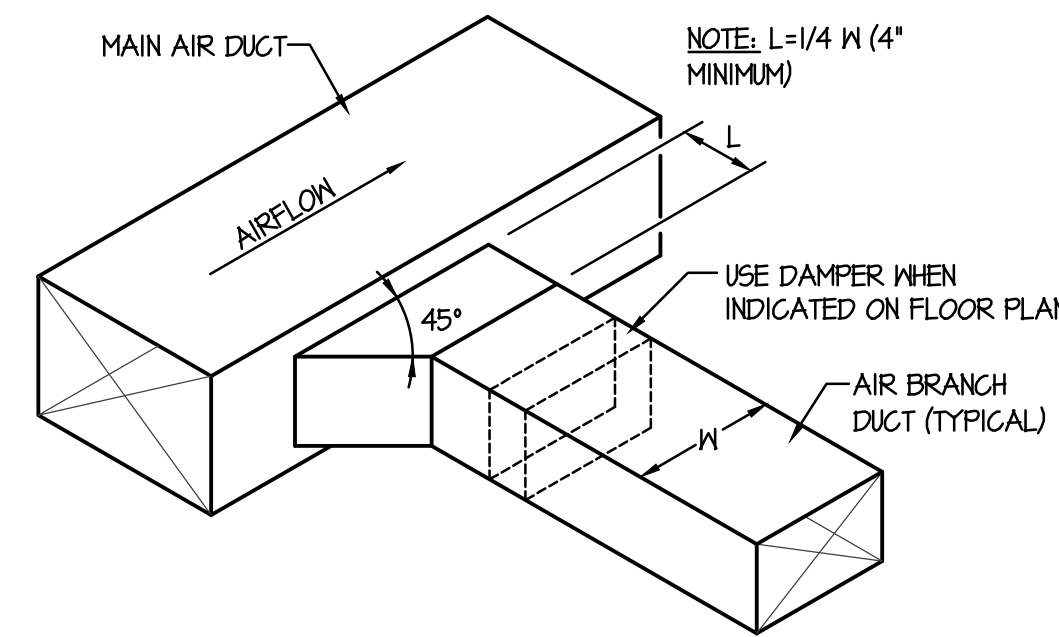
D RETURN AIR PLENUM BASE DETAIL

NO SCALE



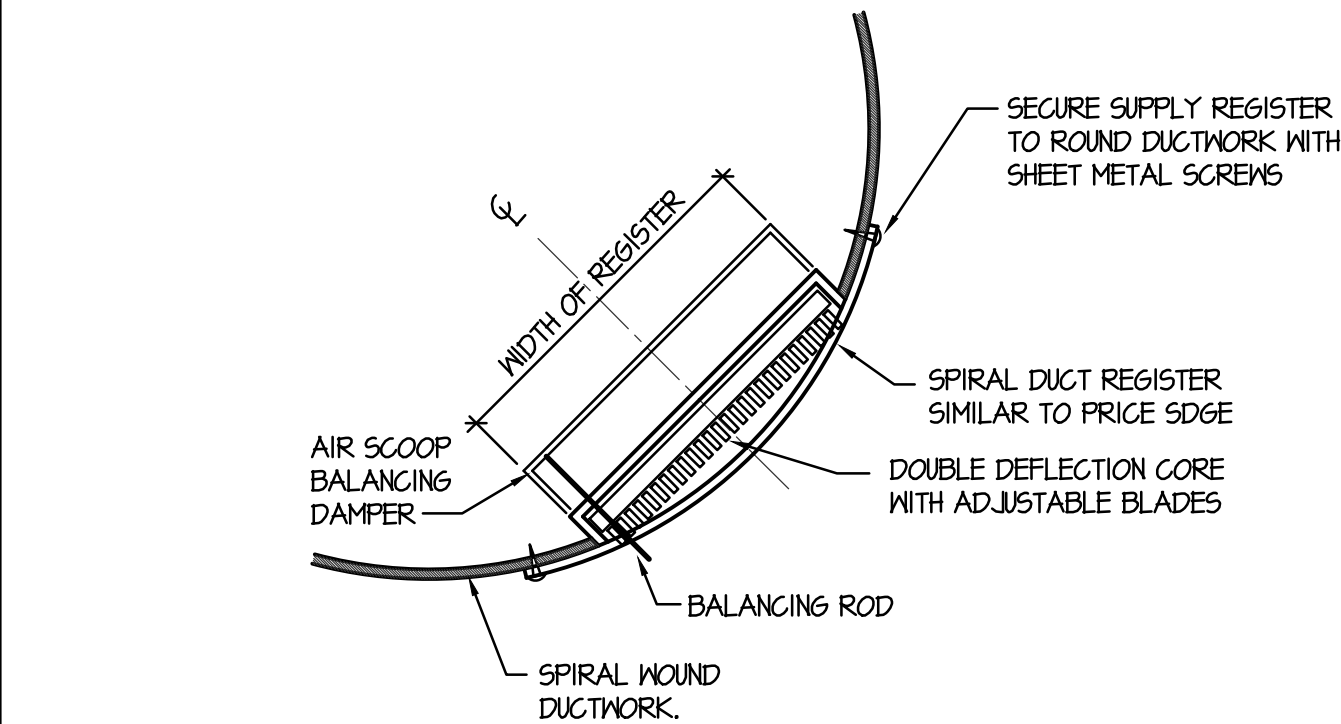
E ROUND DUCT ELBOW DETAILS

NO SCALE



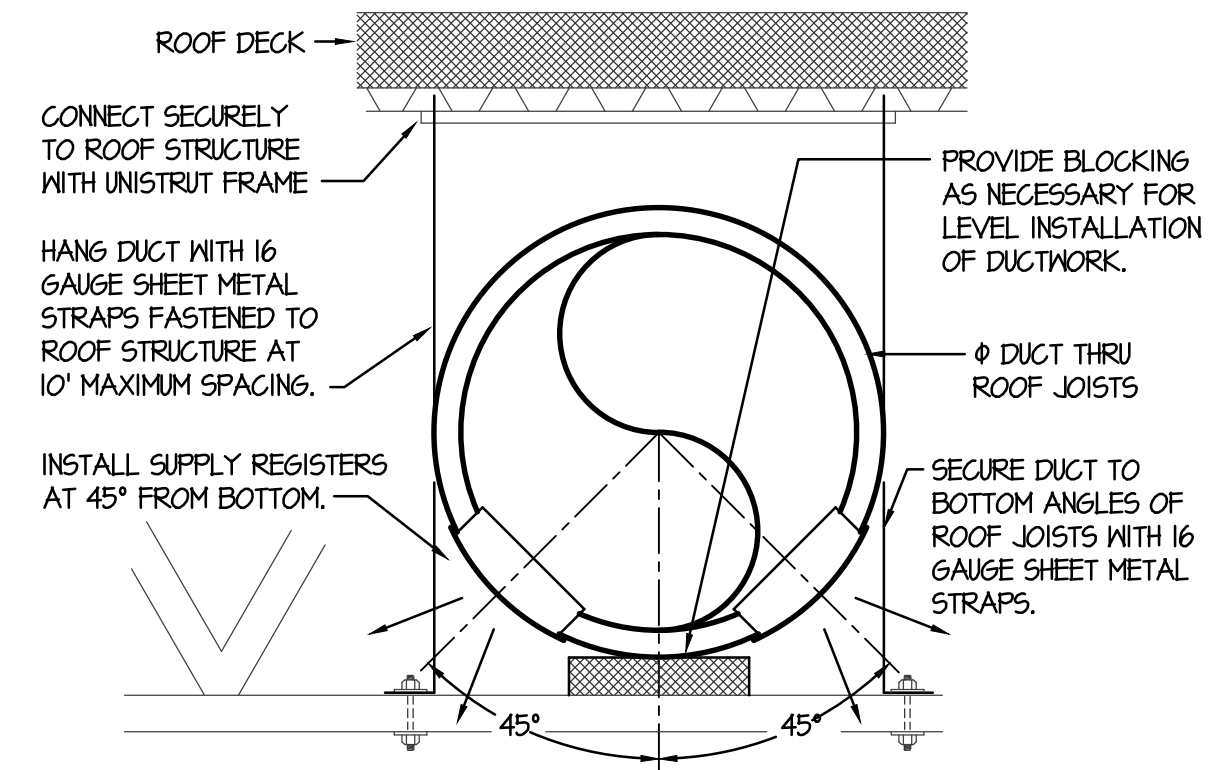
F RECTANGULAR DUCT CONNECTION

NO SCALE



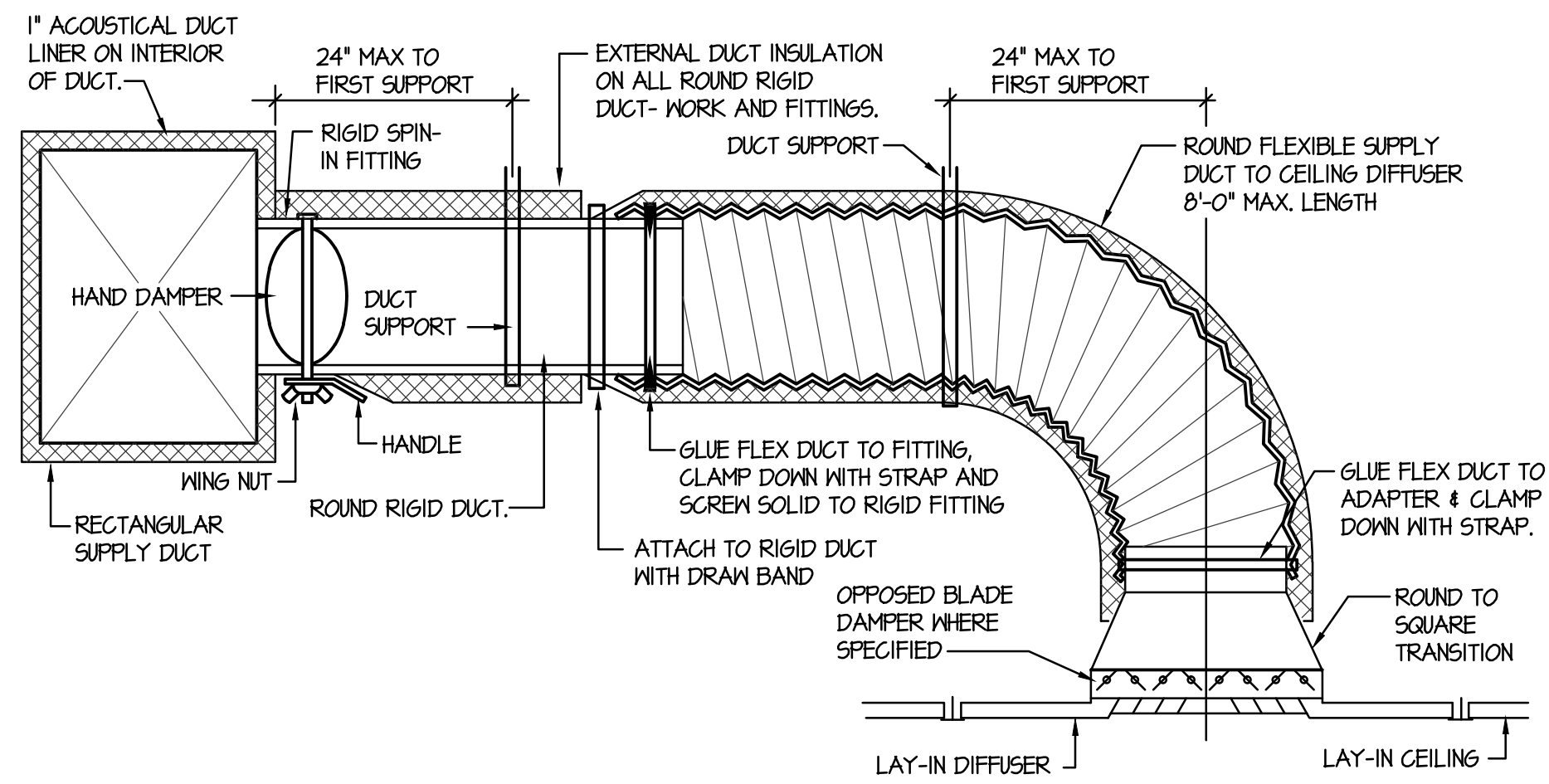
G REGISTER INSTALLATION DETAIL

NO SCALE



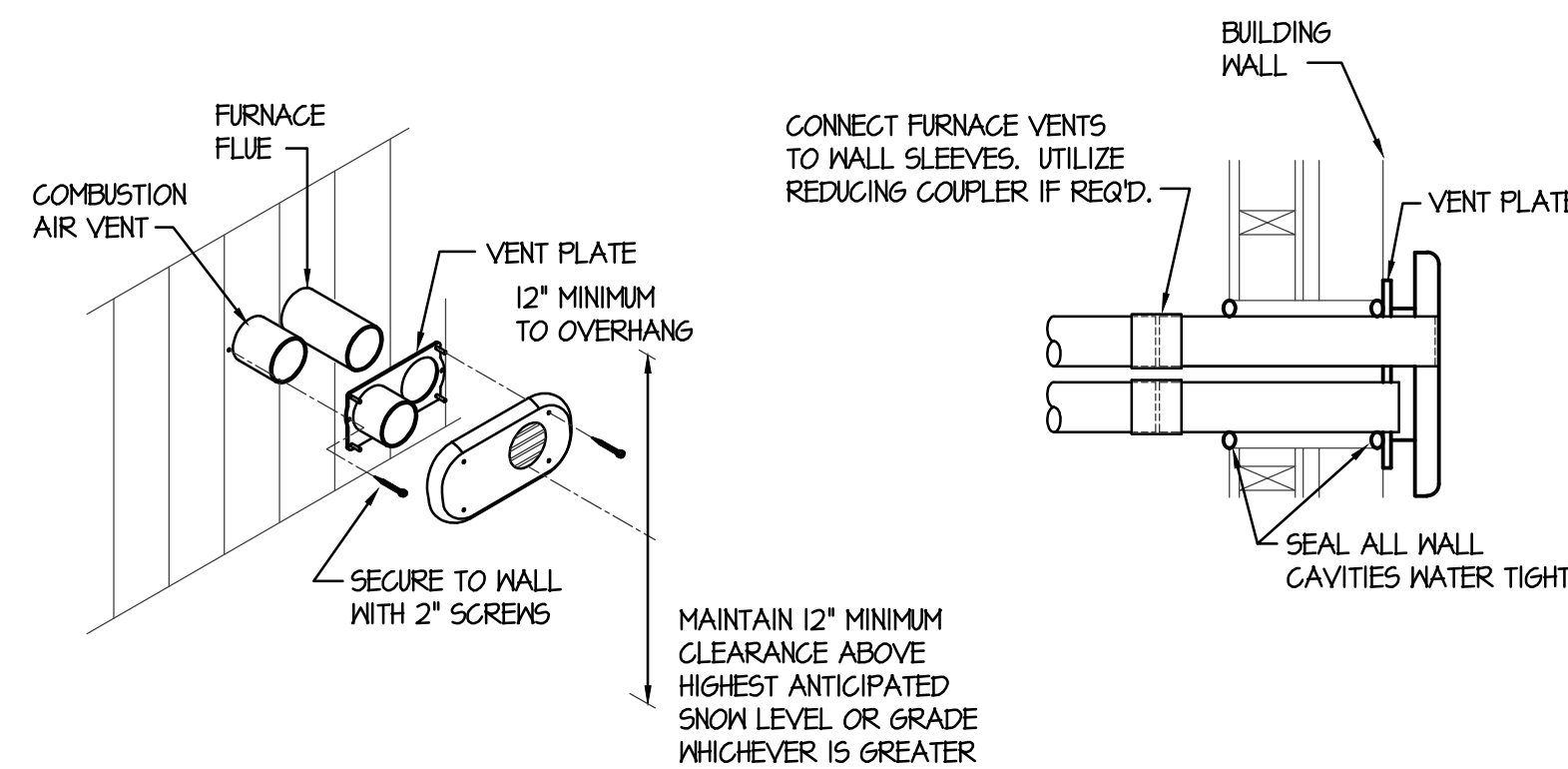
H GYM DUCT INSTALLATION DETAIL

NO SCALE



J CEILING DIFFUSER WITH FLEX DUCT DETAIL

NO SCALE



K FURNACE VENT TERMINATION THRU WALL DETAIL

NO SCALE

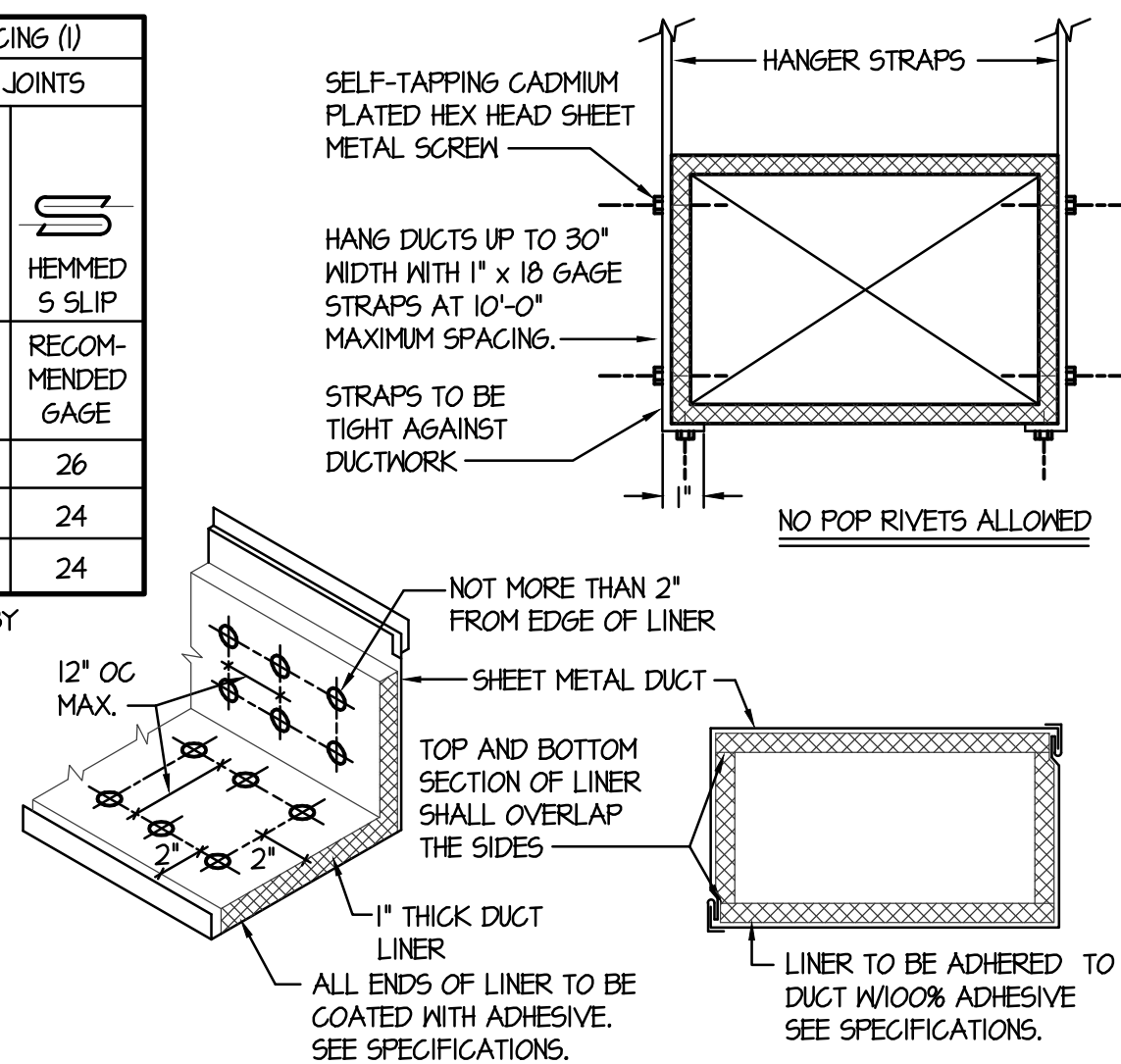
DIMENSION OF LONGEST SIDE, INCHES	SHEET METAL GAGE (ALL FOUR SIDES)	TRANSVERSE REINFORCING (1)	
		MINIMUM REINFORCING ANGLE SIZE AND MAXIMUM LONGITUDINAL SPACING BETWEEN TRANSVERSE JOINTS 4/OR INTERMEDIATE REINFORCING	AT JOINTS
UP THRU 12	26	NONE REQUIRED	26
13 - 18	24	NONE REQUIRED	24
19 - 30	24	1"x1 1/8" @ 60 IN	24

(1) TRANSVERSE REINFORCING SIZE IS DETERMINED BY DIMENSION OF SIDE TO WHICH ANGLE IS APPLIED.

METAL FASTENERS - O-MARK INSULPING, DURO DYNE FASTENERS OR GRIPNAILS.

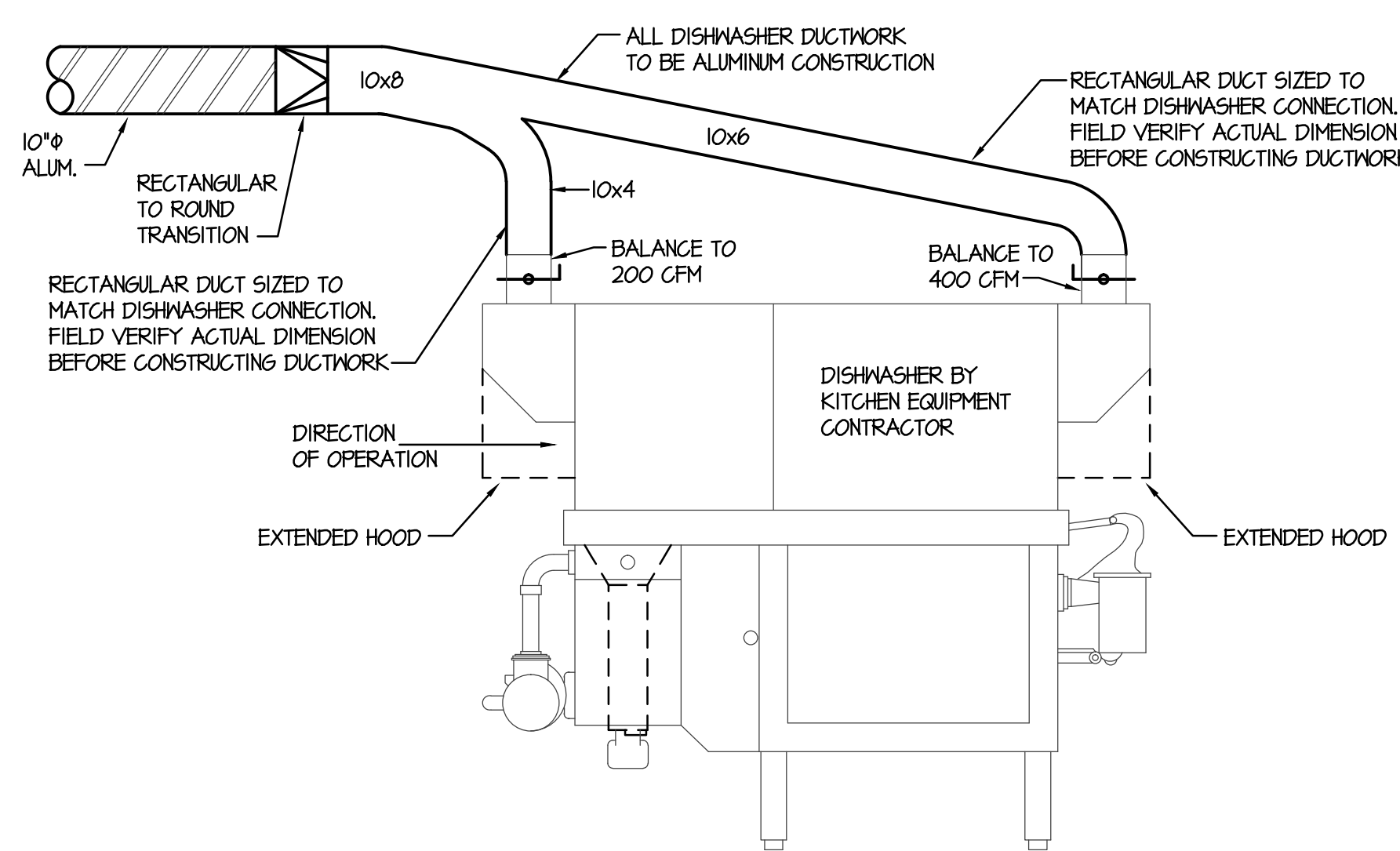
GRIP NAILS SHALL BE INSTALLED BY GRIPNAIL AIR HAMMER OR BY AUTOMATIC FASTENER EQUIP.

ENDS OF LINER SHALL BE BUTTED FIRMLY TOGETHER



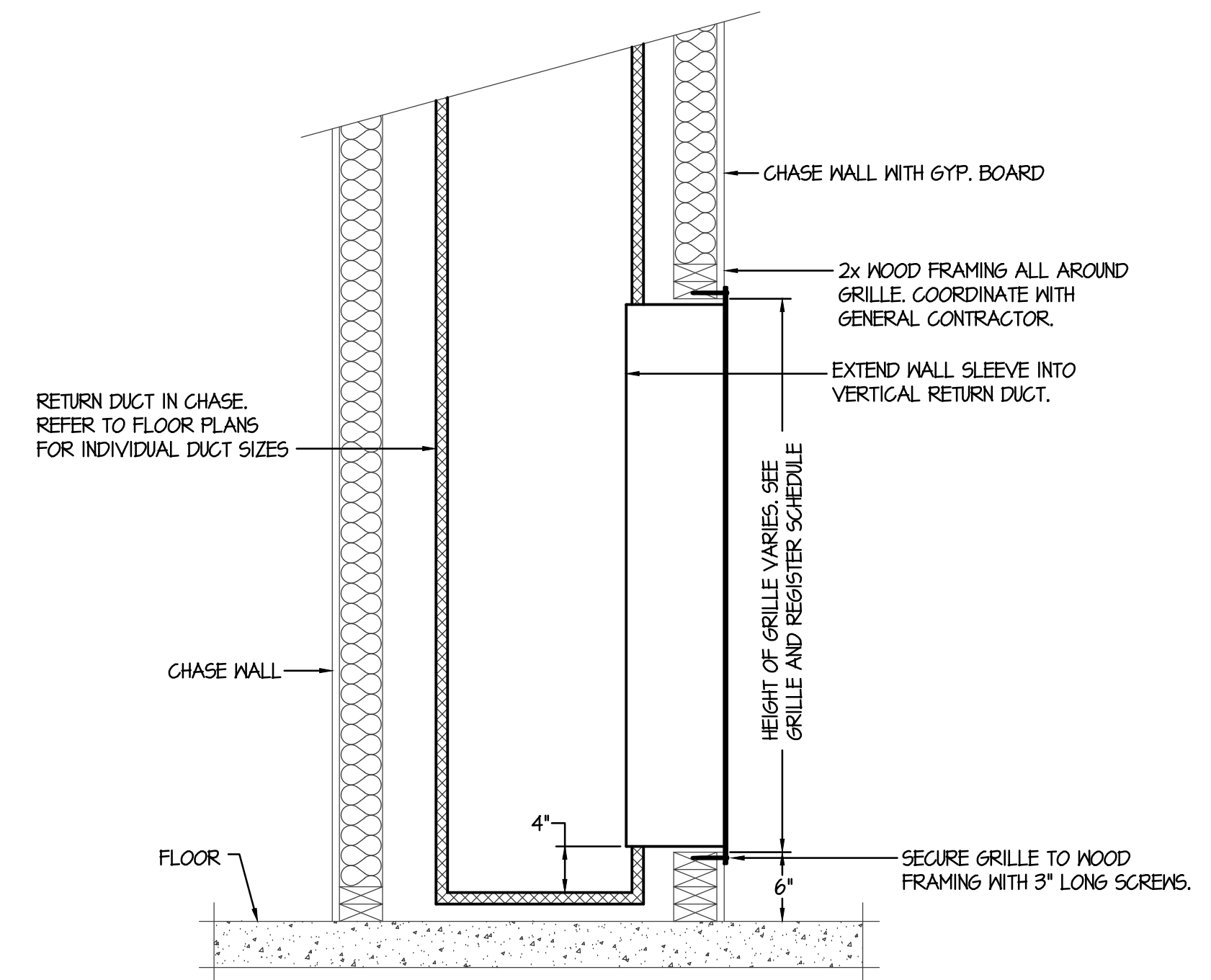
M DUCT CONSTRUCTION AND HANGER DETAIL

NO SCALE



N DISHWASHER EXHAUST DUCT CONNECTION DETAIL

NO SCALE

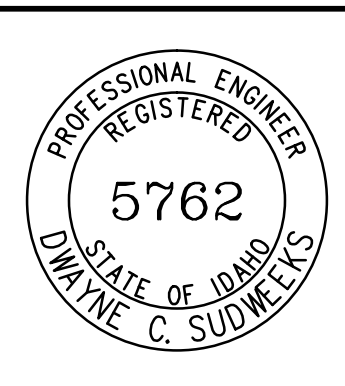


L SIDEWALL RETURN GRILLE INSTALLATION DETAIL

NO SCALE

ORIGINAL DRAWING SIGNED BY: DWAYNE C. SIDNEKS
DATE ORIGINAL SIGNED: March 20, 2019
ORIGINAL ON FILE AT ENGINEERED SYSTEMS ASSOCIATES
1955 EAST CENTER, POCATELLO, IDAHO 83201

Engineered Systems Associates
1355 EAST CENTER
POCATELLO, IDAHO 83201
PHONE: (208) 233-0501
FAX: (208) 233-0529
EMAIL: esa@engsystems.com
ESA JOB NUMBER: 17078



CONTRACTOR

project for:
Grace School District #148
New Elementary School
Fourth West Street
Grace, Idaho

340 East Clark Street, Suite A
Pocatello, Idaho 83201
Phone (208) 233-4548
Fax (208) 233-0263
email: ted@bootharchitecture.com

BOOTH
Architecture PLLC

mechanical details

Date 3/22/19

Sheet No. M3.1