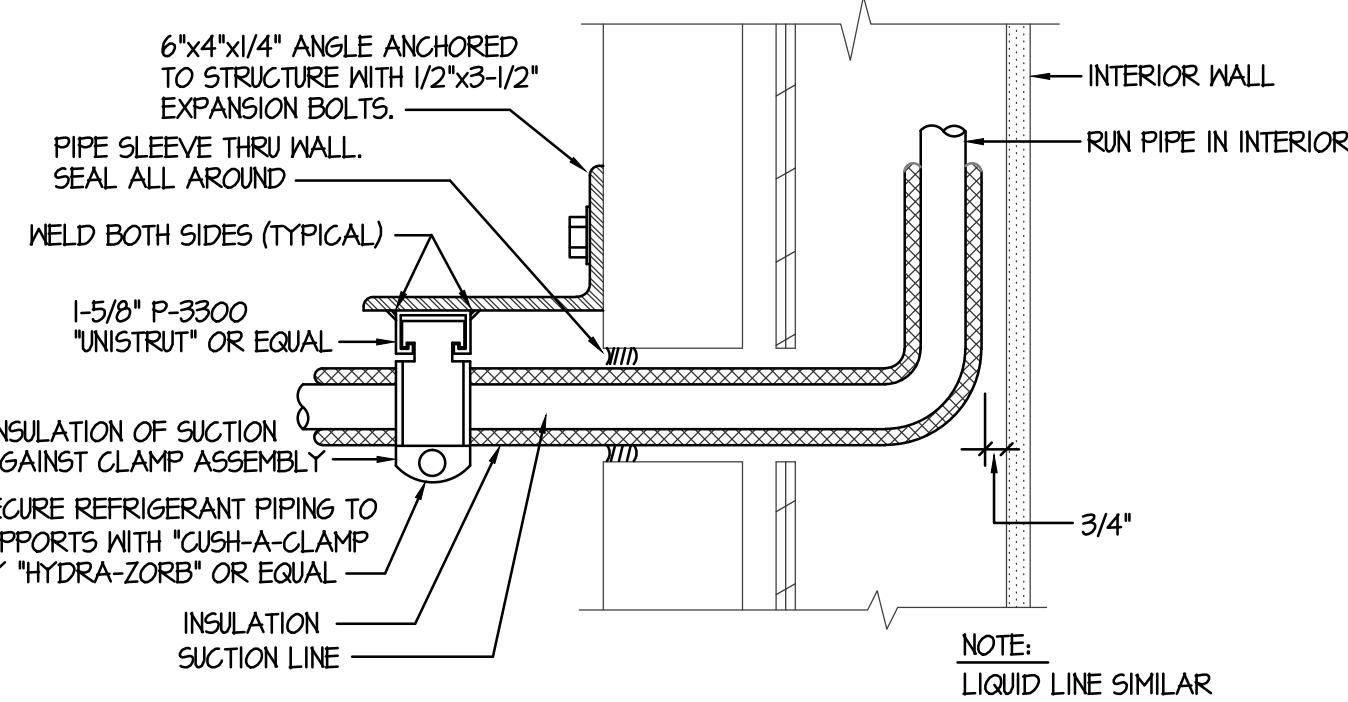
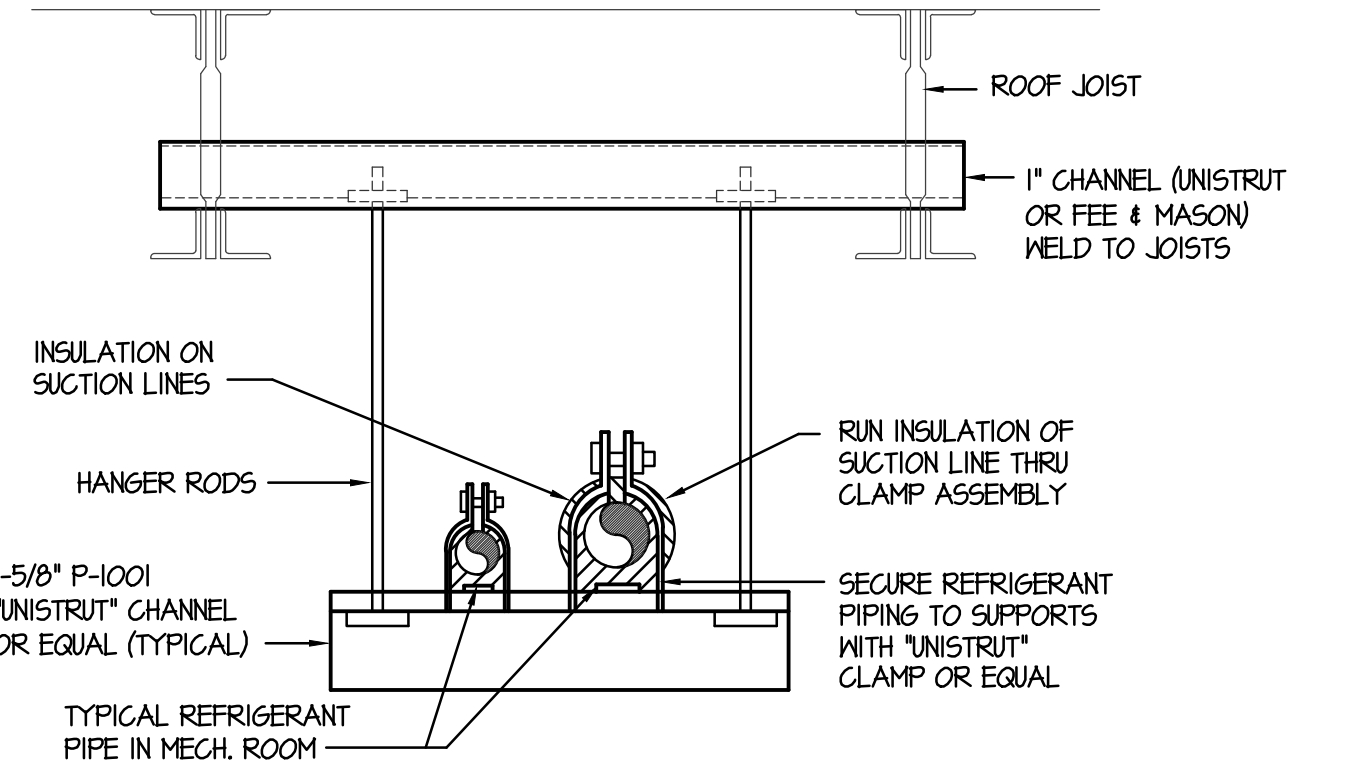


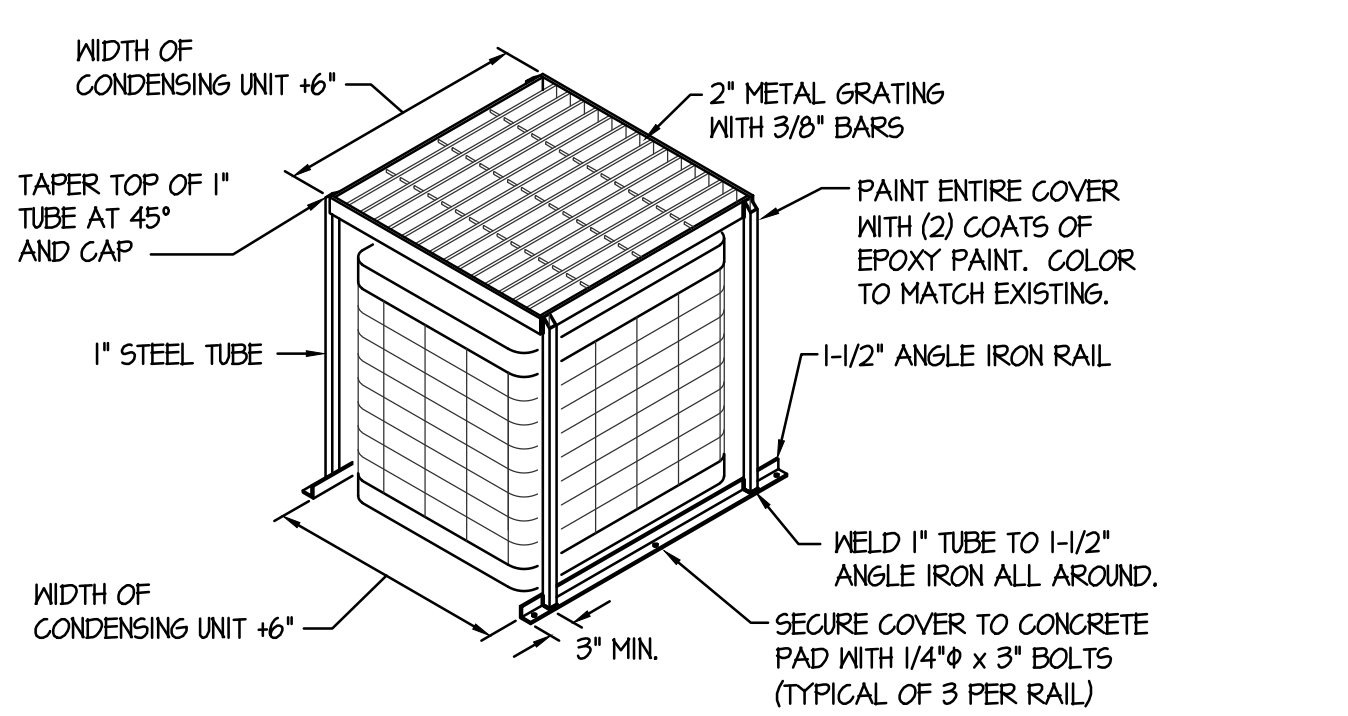
**A REFRIGERANT PIPING DIAGRAM** NO SCALE



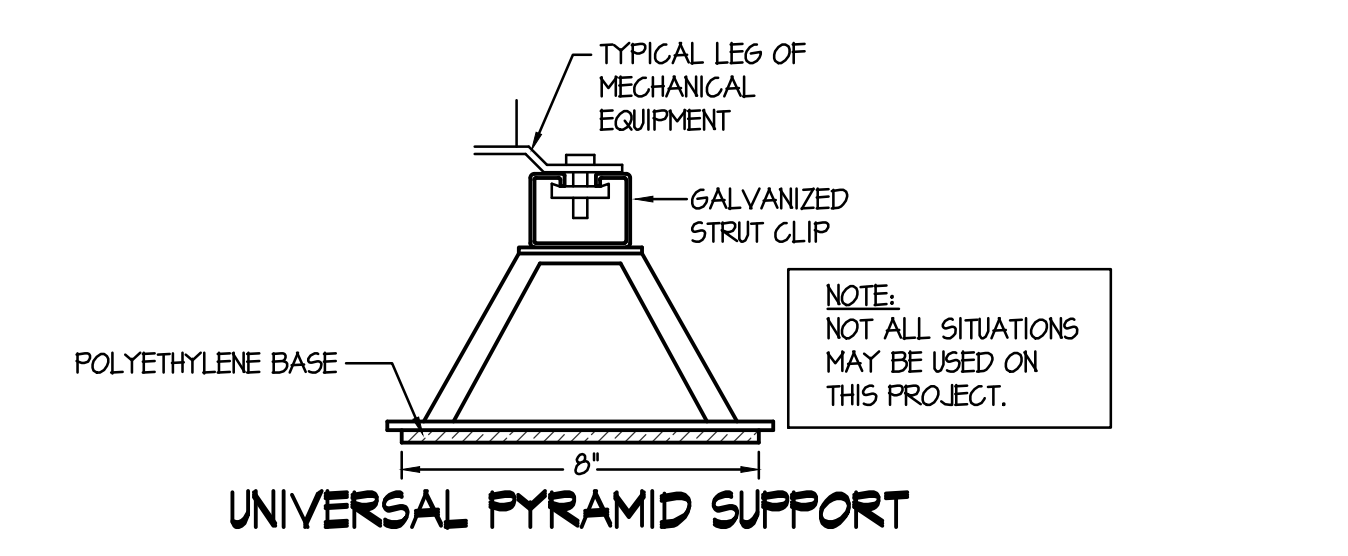
**B PIPE SUPPORT AT WALL DETAIL** NO SCALE



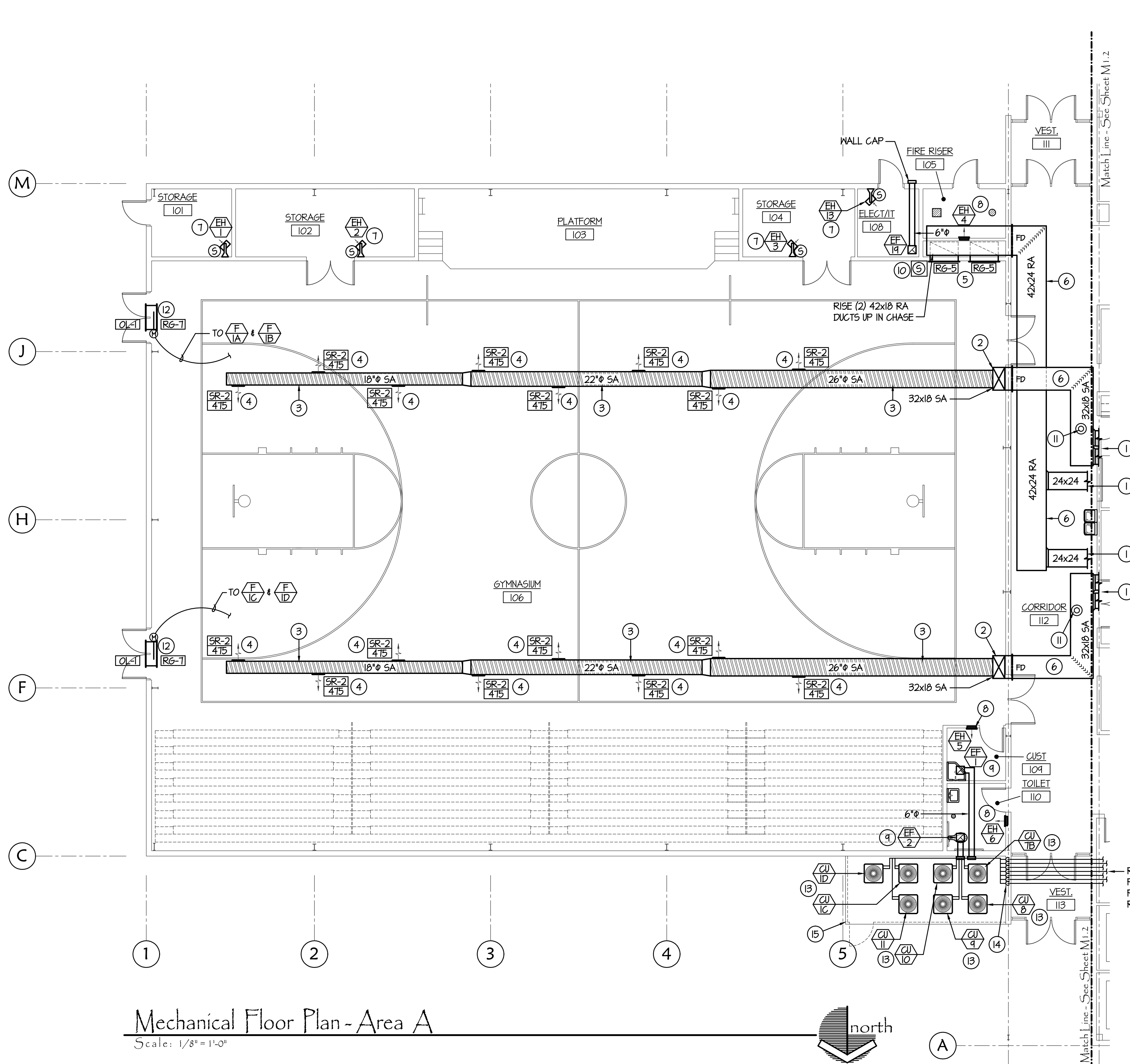
**C REFRIGERANT PIPE SUPPORTS** NO SCALE



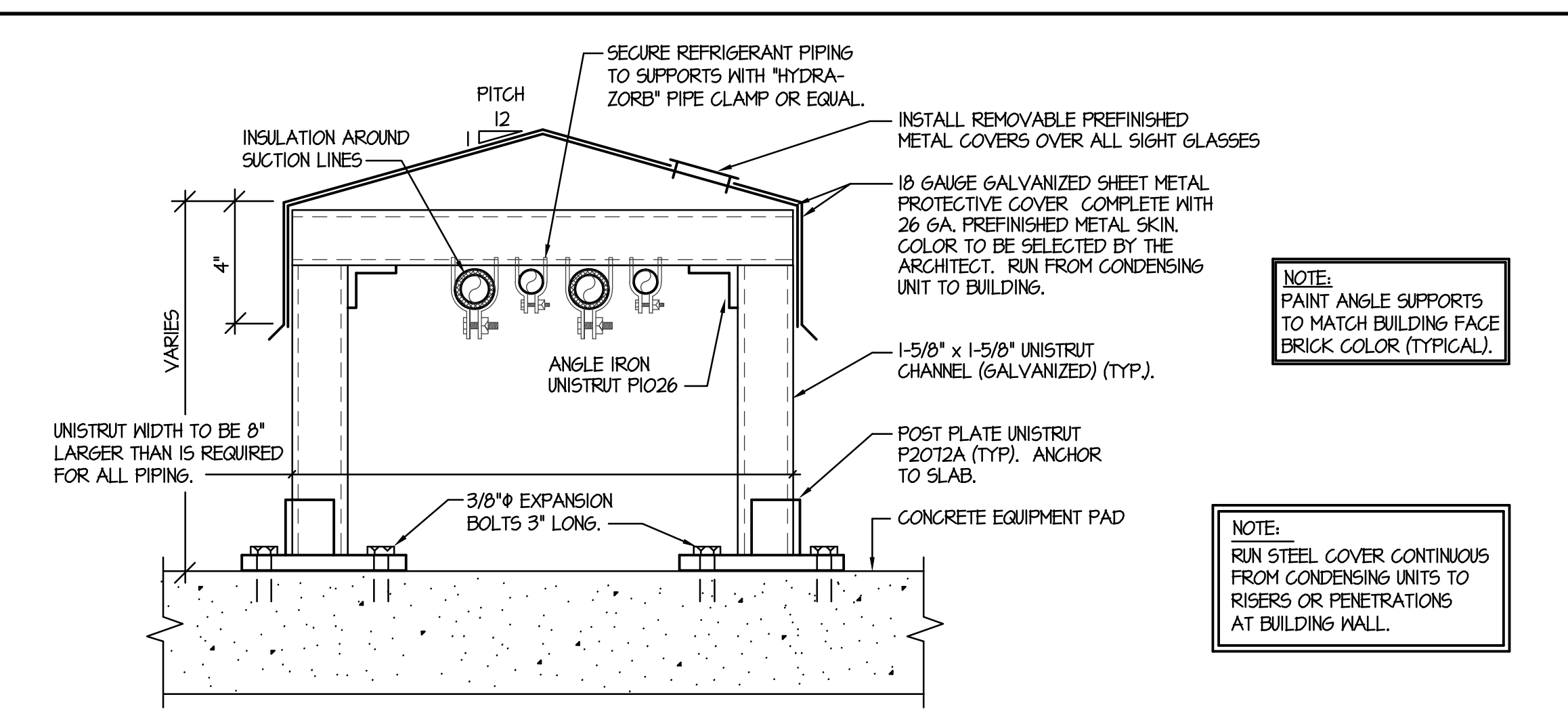
**D CONDENSING UNIT COVER DETAIL** NO SCALE



**E EQUIPMENT SUPPORT DETAIL** NO SCALE

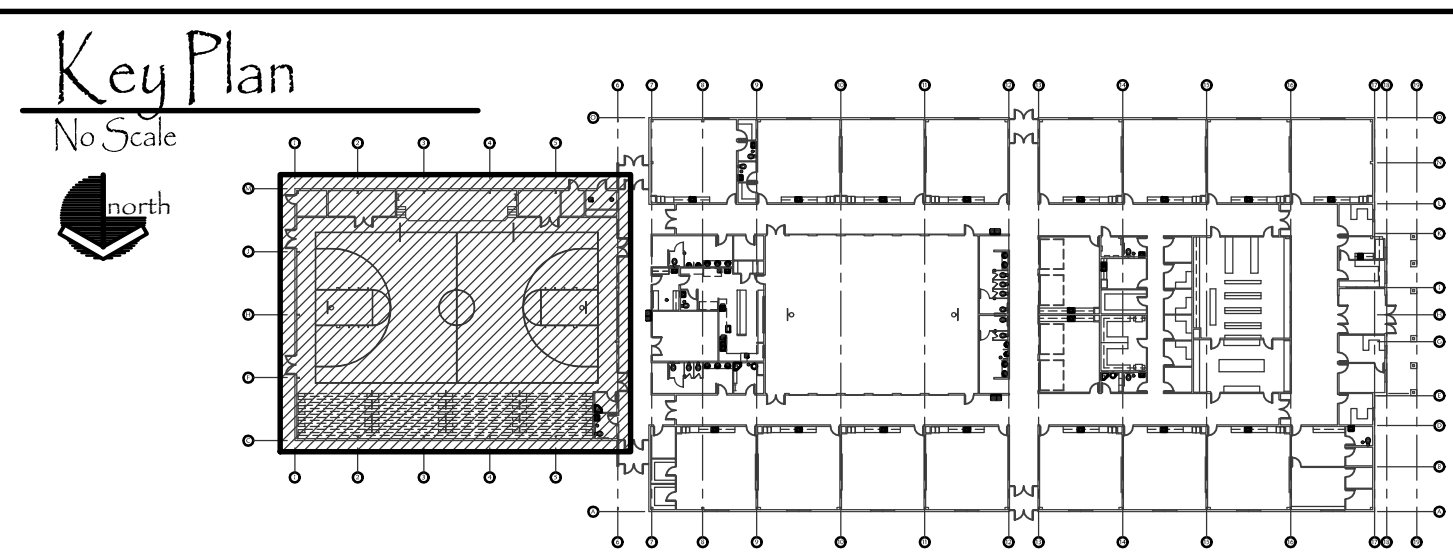


**Mechanical Floor Plan - Area A**  
Scale: 1/8" = 1'-0"



**E REFRIGERANT PIPE COVER DETAIL** NO SCALE

- PLAN NOTES:**
- REFER TO MEZZANINE MECHANICAL PLAN ON SHEET M1.2 FOR CONTINUATION OF DUCTWORK.
  - EXTEND 32x18 SUPPLY AIR DUCT THRU WALL AND RISE UP WALL INTO HIGHER ROOF JOIST SPACE. PROVIDE PAINT LOCK COATING ON DUCTWORK. ATTACH 26 GA SPIRAL DUCT TO 32x18 VERTICAL DUCT. RUN SPIRAL DUCT THRU JOIST SPACES AS SHOWN.
  - RUN SPIRAL SUPPLY AIR DUCT THRU ROOF JOIST WEBBING. SECURE DUCT TO LOWER CHORD OF JOISTS. REFER TO DETAILS G/M/J FOR TYPICAL DUCT INSTALLATION. PROVIDE PAINT LOCK ON DUCTWORK.
  - PROVIDE AND INSTALL "IN-DUCT" REGISTER AS SPECIFIED. BALANCE TO CFM AS INDICATED AND LOCK IN POSITION. MOUNT REGISTERS AT 45° UP FROM BOTTOM. REFER TO DETAILS G/M/J FOR TYPICAL INSTALLATION.
  - PROVIDE AND INSTALL HEAVY DUTY GYM GRILLE AS SPECIFIED. MOUNT GRILLE AT 6" ABOVE FLOOR. REFER TO DETAIL L/M/J FOR TYPICAL INSTALLATION.
  - RUN DUCTWORK ABOVE CORRIDOR CEILING. COORDINATE WITH BUILDING STRUCTURE AND WITH PIPING. REFER TO SHEET P/J FOR PIPING SIZES AND LOCATIONS.
  - PROVIDE AND INSTALL UNIT HEATER AS SPECIFIED COMPLETE WITH WALL MOUNTING BRACKET. MOUNT HEATERS ON WALL AS HIGH AS POSSIBLE. REFER TO DETAIL A/M/2 FOR TYPICAL INSTALLATION.
  - PROVIDE AND INSTALL WALL MOUNTED HEATER AS SPECIFIED. MOUNT AT 12" ABOVE FLOOR. COORDINATE ACTUAL HEATER LOCATION WITH PIPING IN WALLS.
  - PROVIDE AND INSTALL CEILING MOUNTED EXHAUST FAN AS SPECIFIED. RUN 10x4 DUCT TO WALL CAP AS SHOWN. WALL CAP TO BE 10'-0" MIN. ABOVE GRADE. REFER TO DETAIL G/M/J FOR TYPICAL INSTALLATION.
  - MOUNT ROOM SENSOR ON WALL WITH WIRE GUARD. CONNECT TO CORRESPONDING FURNACES ON AREA B MECHANICAL MEZZANINE. FURNACE SYSTEMS F-1A, F-1B, F-1C, & F-1D. REFER TO SHEET M1.2 FOR FURNACE LOCATIONS.
  - SMOKE DETECTOR PROVIDED BY DIVISION 26 AND INSTALLED BY DIVISION 23. MOUNT IN SUPPLY AIR DUCT.
  - PROVIDE AND INSTALL OUTSIDE LOUVER, RETURN GRILLE AND WALL SLEEVE AS SPECIFIED FOR RELIEF AIR. PROVIDE MOTORIZED DAMPER AND INTERLOCK WITH CORRESPONDING FURNACE SYSTEM. REFER TO DETAIL B/M/J FOR TYPICAL INSTALLATION. MOUNT LOUVER AS HIGH AS POSSIBLE.
  - PROVIDE AND INSTALL CONDENSING UNIT AS SPECIFIED. MOUNT UNIT ON PYRAMID TYPE SUPPORTS. REFER TO DETAIL E/M/J FOR SUPPORTS. RUN REFRIGERANT LINES ALONG WALL AND COVER WITH SHEET METAL COVER. REFER TO DETAIL F/M/I.
  - EXTEND PIPING INTO WALL AND RISE UP TO ABOVE CEILING. SUPPORT PIPING AT WALL PENETRATION. REFER TO DETAIL B/M/I.
  - CONCRETE PAD AND CHAIN LINK FENCE BY GENERAL CONTRACTOR. REFER TO ARCHITECTURAL DRAWINGS.



ORIGINAL DRAWING SIGNED BY: DWAYNE C. SUDNEEKS  
DATE ORIGINAL SIGNED: March 20, 2014  
ORIGINAL ON FILE AT ENGINEERS SYSTEMS ASSOCIATES  
1955 EAST CENTER, POCATELLO, IDAHO 83201

**Engineered Systems Associates**  
1355 EAST CENTER  
POCATELLO, IDAHO 83201  
PHONE: (208) 233-0501  
FAX: (208) 233-0529  
EMAIL: esa@engsystems.com  
ESA JOB NUMBER: 17078

**PROFESSIONAL ENGINEER REGISTERED**  
5762  
STATE OF IDAHO  
DWAYNE C. SUDNEEKS

Date 3/22/19  
Sheet No. M1.1

CONTRACTOR

project for:  
**Grace School District #148**  
**New Elementary School**  
Fourth West Street  
Grace, Idaho

340 East Clark Street, Suite A  
Pocatello, Idaho 83201  
Phone (208) 233-4548  
Fax (208) 233-0263  
email ted@bootharchitecture.com

**BOOTH**  
Architecture PLLC

Mechanical Floor Plan - Area A